

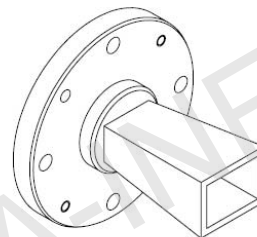
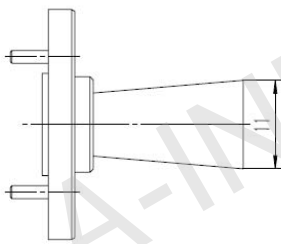
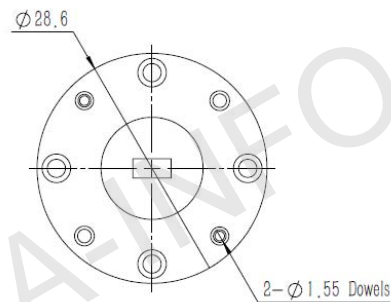
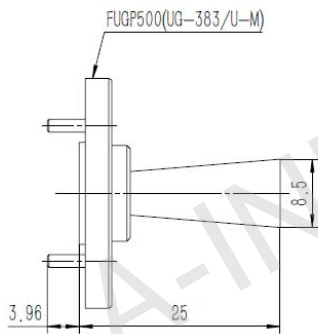
Technical Specification



Frequency Range(GHz)	A Type, WG output:	40.0 - 60.0
	C Type, 2.4mm-F:	40.0 - 50.0
	C Type, 1.85mm-F:	40.0 - 60.0
Waveguide	WR19	
Gain(dBi)	10 Typ.	
Polarization	Linear	
3dB Beamwidth(deg)	42 Typ.	
Cross Pol. Isolation(dB)	45 Typ.	
VSWR	A Type:	1.15:1 Typ.
	C Type:	1.25:1 Typ.
Output	A Type:	FUGP500(UG-383/U-M)
	C Type:	1.85mm-Female or 2.4mm-Female
Material	Cu	
Size(mm)	A Type:	28.6 x 28.6 x 25
	C Type:	28.6 x 31.3 x 51
Net Weight(Kg)	A Type:	0.02 Around
	C Type:	0.07 Around

Outline Drawing (Size: mm)

A Type (With FUGP500 Output)



AINFO Inc.

Page 1 of 14

China(Beijing):
China(Chengdu):
USA :

Tel: (+86) 10-6266-7326,
Tel: (+86) 28-8519-2786,
Tel: (+1) 949-639-9688,

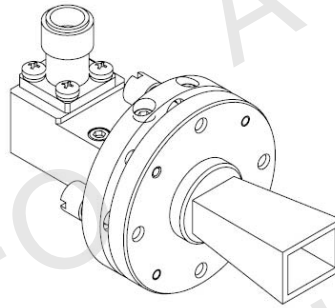
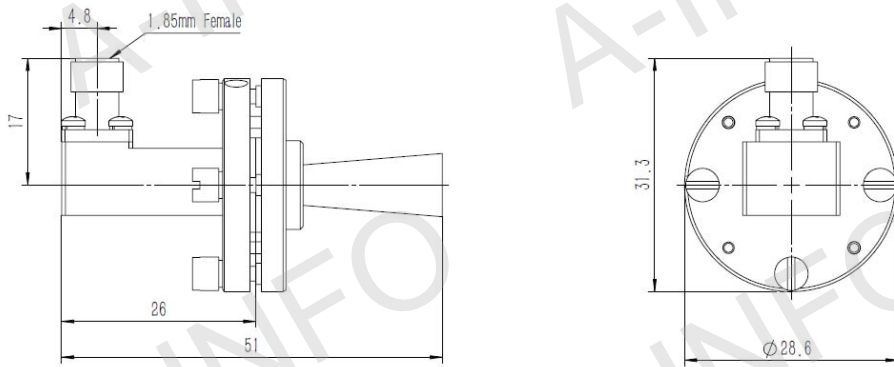
(+86) 10-6266-7327
(+86) 28-8519-3044
(+1) 949-639-9608

Fax: (+86) 10-6266-7379
Fax: (+86) 28-8519-3068
Fax: (+1) 949-639-9670

Website: www.ainfoinc.com
Email: sales@ainfoinc.com

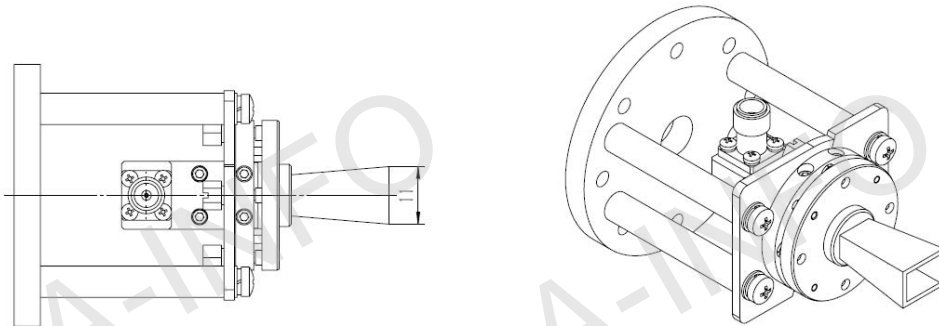
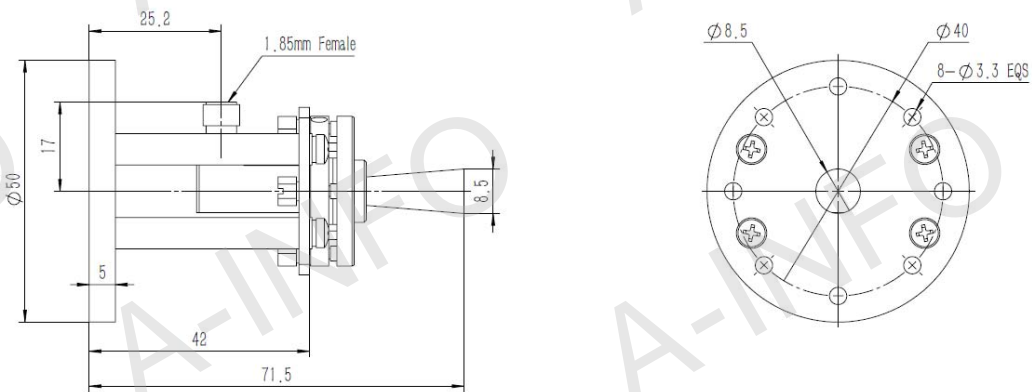
C Type (With 1.85mm-Female Output)

For 2.4mm-Female output outline drawing, please contact A-INFO.



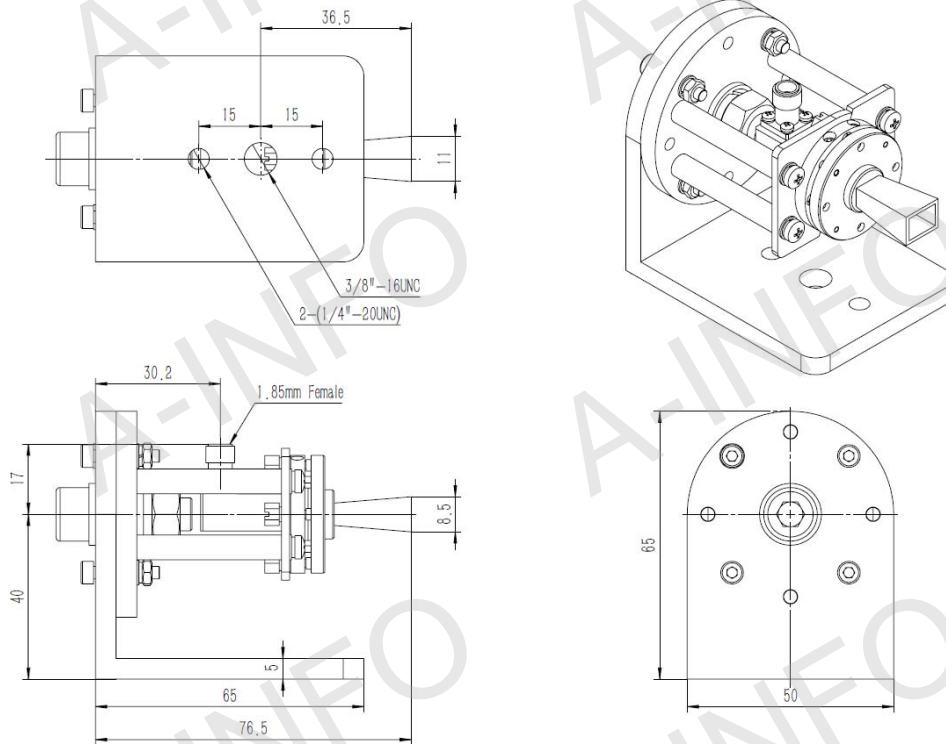
C Type (With 1.85mm-Female Output & Round Mounting Bracket)

For 2.4mm-Female output outline drawing, please contact A-INFO.

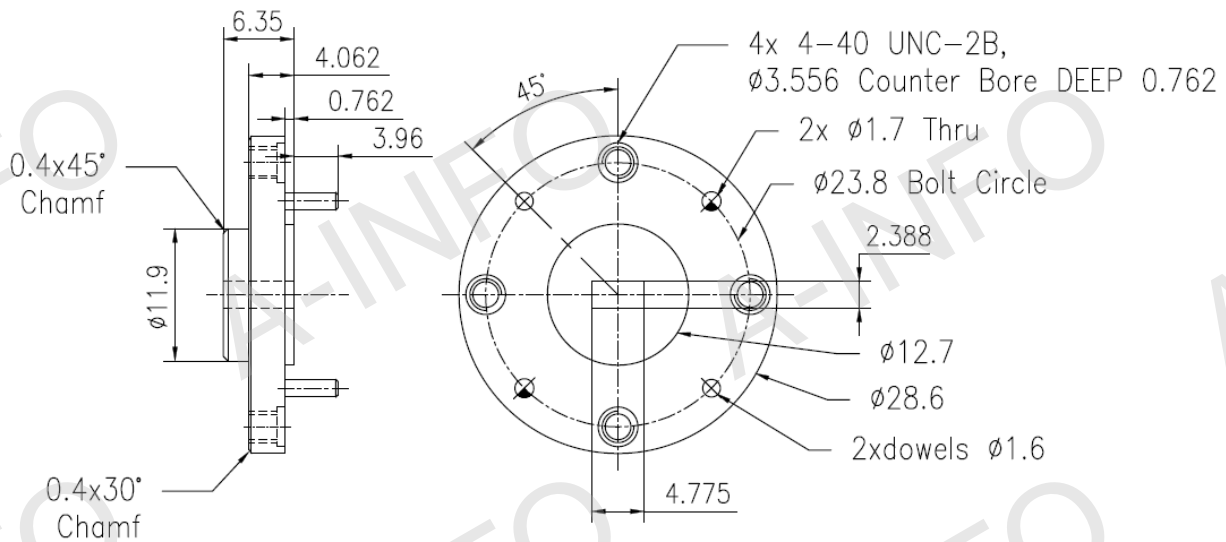


C Type (With 1.85mm-Female Output & L Type Mounting Bracket)

For 2.4mm-Female output outline drawing, please contact A-INFO.



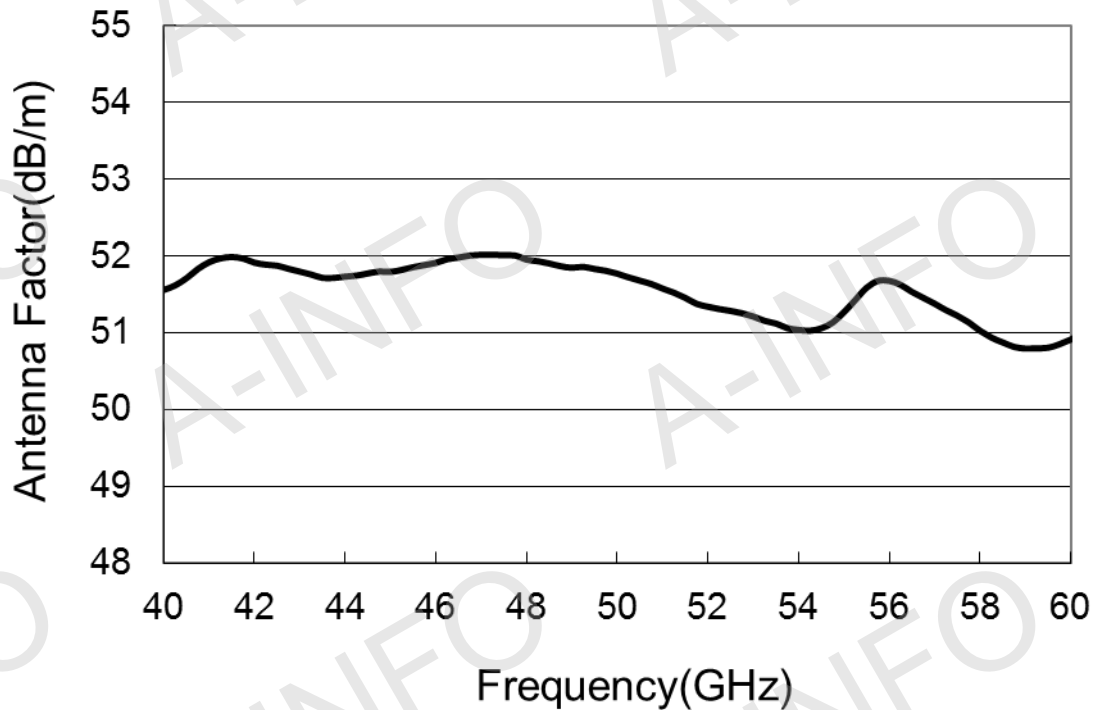
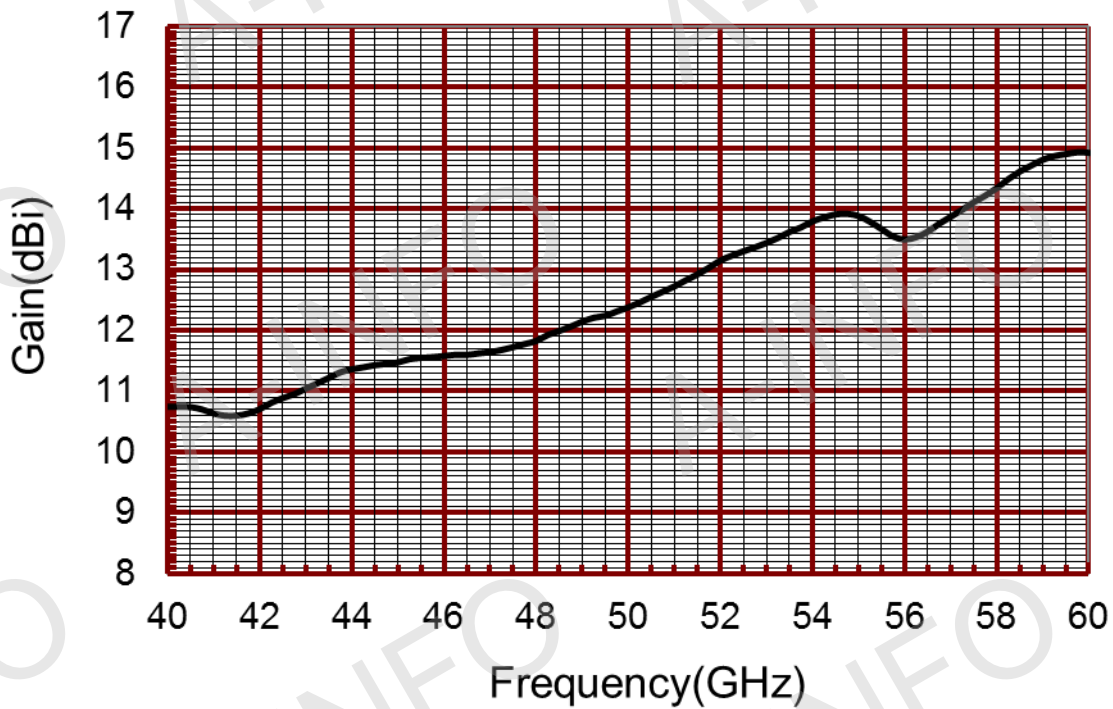
Flange Drawing (Size: mm)



FUGP500
(equivalent to UG-383/U-M)

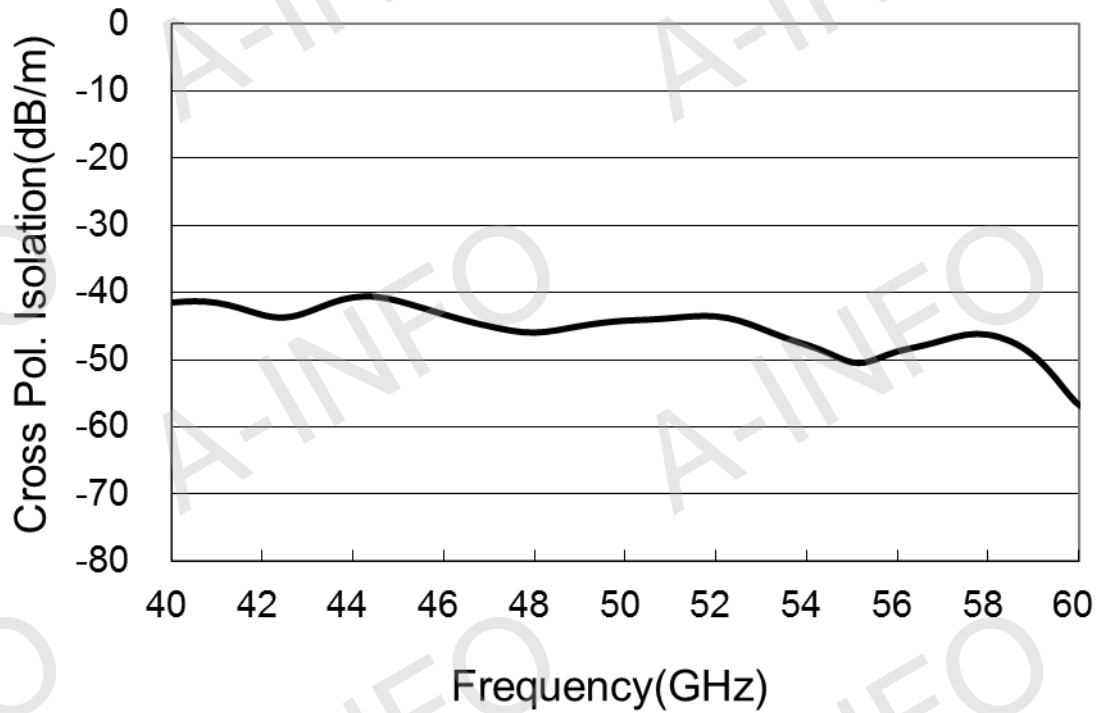
Test Results

1. Gain and Antenna Factor

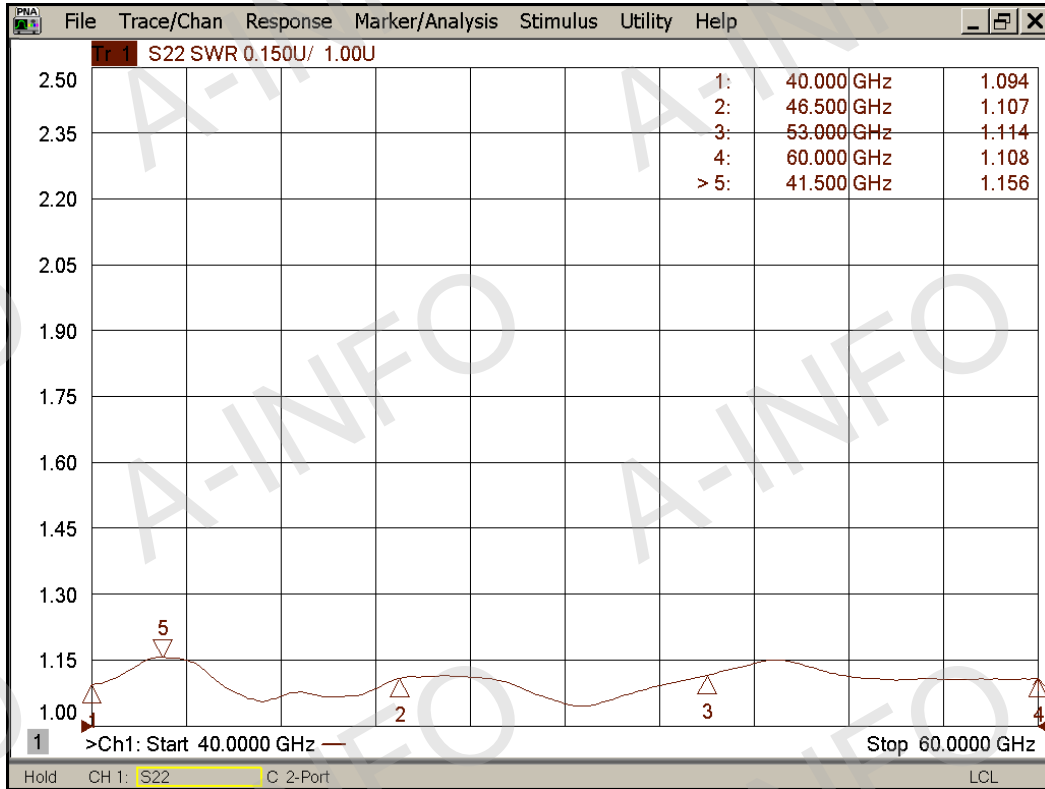


Frequency(GHz)	Gain(dBi)	Antenna Factor(dB/m)
40.0	10.74	51.51
40.5	10.74	51.62
41.0	10.63	51.83
41.5	10.60	51.97
42.0	10.71	51.97
42.5	10.89	51.89
43.0	11.04	51.84
43.5	11.22	51.76
44.0	11.36	51.72
44.5	11.43	51.75
45.0	11.47	51.80
45.5	11.55	51.82
46.0	11.58	51.88
46.5	11.60	51.96
47.0	11.64	52.01
47.5	11.73	52.02
48.0	11.83	52.01
48.5	11.99	51.93
49.0	12.14	51.87
49.5	12.24	51.86
50.0	12.38	51.81
50.5	12.55	51.72
51.0	12.72	51.64
51.5	12.92	51.52
52.0	13.15	51.38
52.5	13.30	51.31
53.0	13.44	51.26
53.5	13.62	51.16
54.0	13.80	51.06
54.5	13.91	51.03
55.0	13.88	51.13
55.5	13.67	51.43
56.0	13.50	51.68
56.5	13.62	51.63
57.0	13.87	51.46
57.5	14.11	51.30
58.0	14.34	51.14
58.5	14.61	50.94
59.0	14.81	50.82
59.5	14.90	50.80
60.0	14.92	50.85

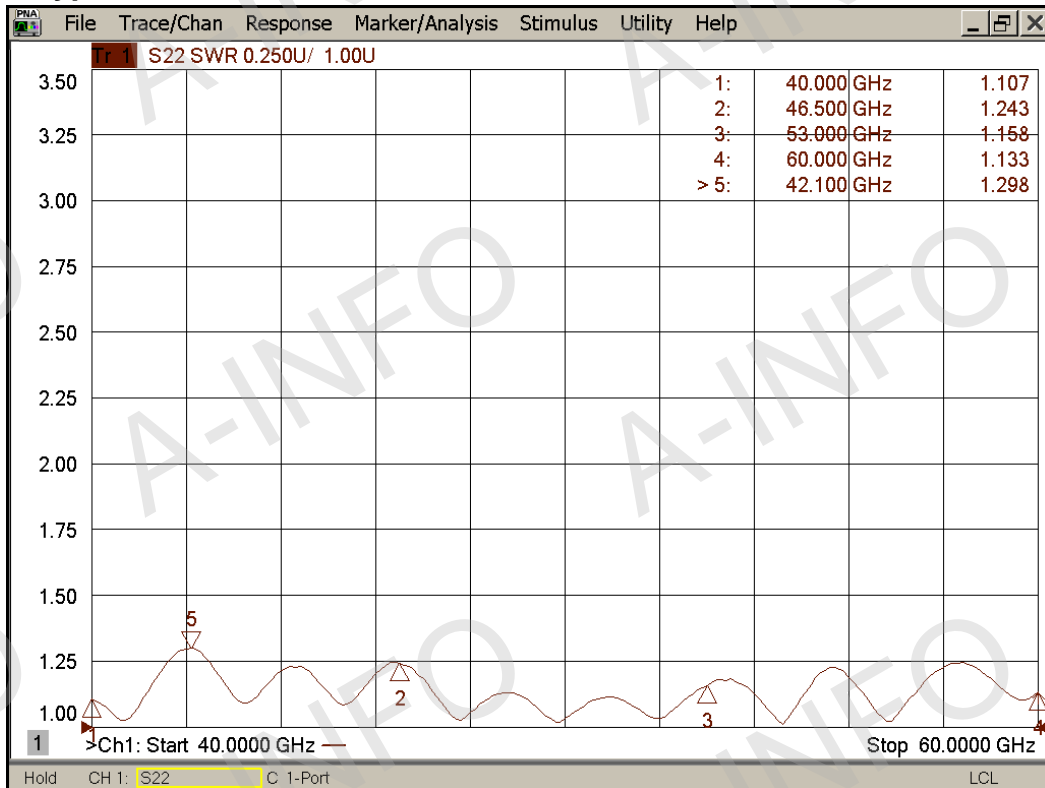
2. Cross Polarization Isolation



3. VSWR_A Type



VSWR_C Type



4. Pattern

