



Raychem

TE Internal #: 822295-000

Twisted Pair Cable, MIL-DTL-27500, 600VAC Voltage Rating, 22AWG Wire Size, Operating Temperature Range -65 – 200 °C

[View on TE.com >](#)

Wire & Cable > Twisted Pair Cable



Cable Type: MIL-DTL-27500

Voltage Rating: 600 VAC

Insulation Material: Modified Radiation Cross-linked ETFE Polymer

Conductor Material: Silver-Coated Copper

Wire Size: 22 AWG

## Features

### Product Type Features

Product Classification	Cable - High Performance - Spec 44, 55 and RCW
Product Type	Cable
Cable Style	Primary
Cable Type	MIL-DTL-27500

### Configuration Features

Number of Strands	19
-------------------	----

### Electrical Characteristics

Voltage Rating	600 VAC
----------------	---------

### Body Features

Wire Color	White with Blue Stripe, White
Insulation Material	Modified Radiation Cross-linked ETFE Polymer
Conductor Material	Silver-Coated Copper

### Dimensions

Conductor Diameter	.74 mm[.029 in]
Overall Outside Diameter	2.23 mm[.086 in]
Strand Size	34 AWG



Wire Size 22 AWG

**Usage Conditions**

Operating Temperature Range -65 – 200 °C[-85 – 392 °F]

**Product Compliance**

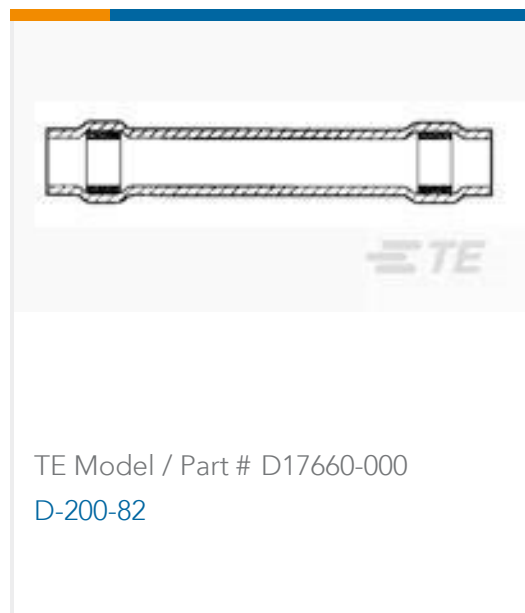
[For compliance documentation, visit the product page on TE.com>](#)

EU RoHS Directive 2011/65/EU	Compliant
EU ELV Directive 2000/53/EC	Compliant
China RoHS 2 Directive MIIT Order No 32, 2016	No Restricted Materials Above Threshold
EU REACH Regulation (EC) No. 1907/2006	Current ECHA Candidate List: JUN 2020 (209) Candidate List Declared Against: JAN 2019 (197) Does not contain REACH SVHC
Halogen Content	Out of Scope - excluded from Halogen requirements
Solder Process Capability	Not applicable for solder process capability

Product Compliance Disclaimer

This information is provided based on reasonable inquiry of our suppliers and represents our current actual knowledge based on the information they provided. This information is subject to change. The part numbers that TE has identified as EU RoHS compliant have a maximum concentration of 0.1% by weight in homogenous materials for lead, hexavalent chromium, mercury, PBB, PBDE, DBP, BBP, DEHP, DIBP, and 0.01% for cadmium, or qualify for an exemption to these limits as defined in the Annexes of Directive 2011/65/EU (RoHS2). Finished electrical and electronic equipment products will be CE marked as required by Directive 2011/65/EU. Components may not be CE marked. Additionally, the part numbers that TE has identified as EU ELV compliant have a maximum concentration of 0.1% by weight in homogenous materials for lead, hexavalent chromium, and mercury, and 0.01% for cadmium, or qualify for an exemption to these limits as defined in the Annexes of Directive 2000/53/EC (ELV). Regarding the REACH Regulation, the information TE provides on SVHC in articles for this part number is based on the latest European Chemicals Agency (ECHA) 'Guidance on requirements for substances in articles' posted at this URL: <https://echa.europa.eu/guidance-documents/guidance-on-reach>

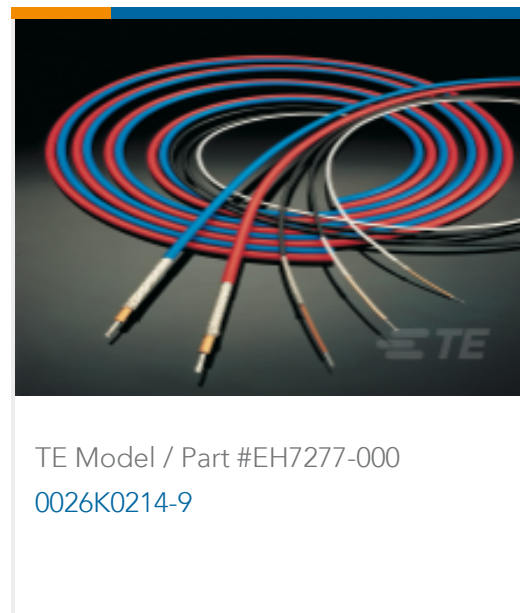
**Compatible Parts**



**Customers Also Bought**



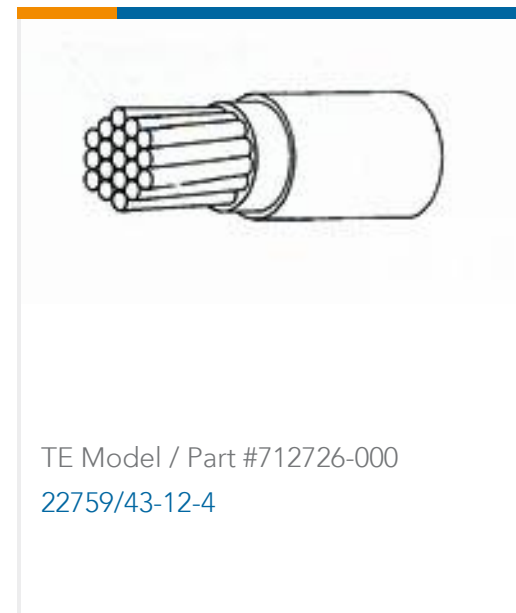
TE Model / Part #YDTS20F21-11SB0000  
D38999: Square Flange, 21-11 insert



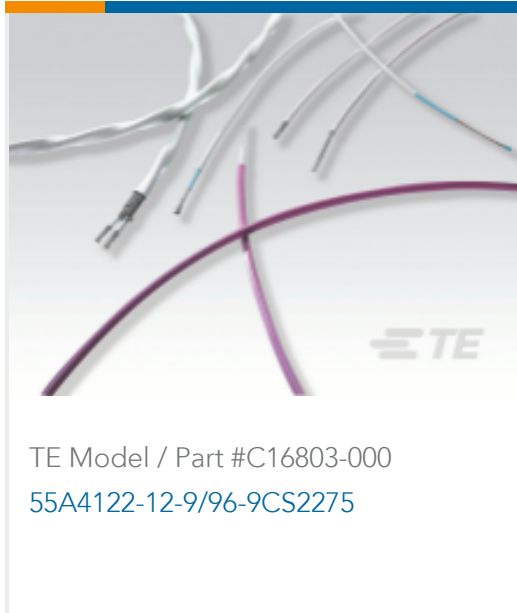
TE Model / Part #EH7277-000  
0026K0214-9



TE Model / Part #1052149-1  
2037 8006 92



TE Model / Part #712726-000  
22759/43-12-4



TE Model / Part #C16803-000  
55A4122-12-9/96-9CS2275



TE Model / Part #D87503-000  
55AC1122-20-9/96-9CS2275



TE Model / Part #F84092-000  
82A0822-16-9/96



TE Model / Part #YD369-R33-NP0-113L  
369 3 WAY REC,NO CONTACTS,  
OUTGASSED,PIN



TE Model / Part #YDIV40E25-61SCV001  
RECP ASSY



TE Model / Part #YDTS24F25-37PC0000  
DTS24F25-37PC

## Documents

### Product Drawings

[55A0122-22-9/96CS2275](#)

English

### Datasheets & Catalog Pages

[1654025\\_Sec9\\_SPEC55](#)

English

### Raychem Wire and Cable Quick Reference Guide

English

### Product Specifications

[Product Specification](#)

English