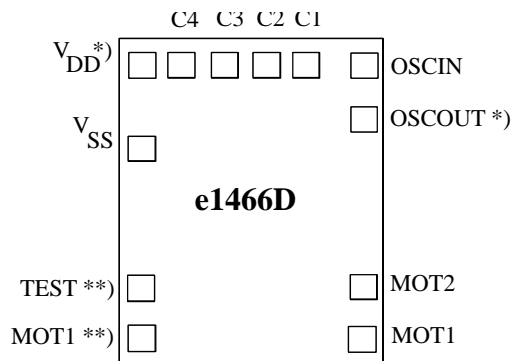


## 32-kHz Clock CMOS IC with Digital Trimming

### Features

- 32-kHz crystal oscillator
- 1.1 V to 2.2 V operating-voltage range
- Integrated capacitors for digital trimming
- Suitable for up to 12.5 pF quartz
- Output pulse formers
- Mask options for motor period and pulse width
- Low resistance output for bipolar stepping motor
- Motor fast-test function

### Pad Configuration



) The pads  $V_{DD}$  and OSCOUT are interchangeable per mask option

\*) The pads TEST and MOT1 are interchangeable per mask option

9611882

Figure 1. Pad configuration

### General Description

The e1466D is an integrated circuit in CMOS Silicon Gate Technology for analog clocks. It consists of a 32 kHz oscillator, frequency divider, output pulse formers and push-pull motor drivers. Integrated capacitors are mask-selectable to accommodate the external quartz crystal. Additional capacitance can be selected through pad bonding for trimming the oscillator frequency.

### Absolute Maximum Ratings

Parameters	Symbol	Value	Unit
Supply voltage	$V_{SS}$	-0.3 to 5 V	V
Input voltage range, all inputs	$V_{IN}$	$(V_{SS} - 0.3V) \leq V_{IN} \leq (V_{DD} + 0.3 V)$	V
Output short circuit duration		indefinite	
Power dissipation (DIL package)	$P_{tot}$	125	mW
Operating ambient temperature range	$T_{amb}$	-20 to +70	°C
Storage temperature range	$T_{stg}$	-40 to +125	°C
Lead temperature during soldering at 2 mm distance, 10 seconds	$T_{sld}$	260	°C

Absolute maximum ratings define parameter limits which, if exceeded, may permanently change or damage the device.

All inputs and outputs on Atmel Wireless & Microcontrollers' circuits are protected against

electrostatic discharges. However, precautions to minimize the build-up of electrostatic charges during handling are recommended.

The circuit is protected against supply voltage reversal for typically 5 minutes.

## Functional Description

### Oscillator

An oscillator inverter with feedback resistor is provided for generation of the 32768 Hz clock frequency. Values for the fixed capacitors at OSCIN and OSCOUT are mask-selectable (see note 3 of operating characteristics). Four capacitor pads, C1 to C4 enable the addition of integrated trimming capacitors to OSCIN, providing 15 tuning steps.

### Trimming Capacitors

A frequency variation of typ. 4 ppm for each tuning step

is obtained by bonding the capacitor pads to OSCIN. As none of these pads are bonded, the IC is in an untrimmed state. Figure 3 shows the trimming curve characteristic.

**Note:** For applications which utilize this integrated trimming feature, Atmel Wireless & Microcontrollers will determine optimum values for the integrated capacitors C<sub>OSCIN</sub> and C<sub>OSCOUT</sub>.

Capacitor pads C1 to C4: 0 = open,  
1 = connected to OSCIN.

Combination C1 + C4 is redundant and therefore eliminated from the list.

C4	Capacitor Pads			Trimming Step
	C3	C2	C1	
0	0	0	0	0
0	0	0	1	1
0	0	1	0	2
0	1	0	0	3
1	0	0	0	4
0	0	1	1	5
0	1	0	1	6
0	1	1	0	7
1	0	1	0	8
1	1	0	0	9
0	1	1	1	10
1	0	1	1	11
1	1	0	1	12
1	1	1	0	13
1	1	1	1	14

### Motor Drive Output

The e1466D contains two push-pull output buffers for driving bipolar stepping motors. During a motor pulse, the n-channel device of one buffer and the p-channel device of the other buffer will be activated. Both n-channel transistors are on and conducting between output pulses. The outputs are protected against inductive voltage spikes with diodes to both supply pins. The motor output period and pulse width are mask-programmable, as listed below:

- Available motor periods (T<sub>M</sub>):  
125, 250, 500 ms and 2, 16 s
- Available max. pulse widths (t<sub>M</sub>):  
15, 6, 23.4, 31.25, 46.9 ms and 1 s
- Available motor periods for motor test (T<sub>MT</sub>):  
250, 500 ms and 1 s

**Note:** The following constraints for combination of motor period and pulse widths have to be considered:

$$T_M > 4 * t_M, T_{MT} > 4 * t_M \text{ or alternatively } T_M = 2 * t_M, T_{MT} = 2 * t_M$$

### Test Functions

For test purposes, the TEST pad is open. With a high resistance probe (R ≥ 10 MΩ, C ≥ 20 pF), a test frequency f<sub>TEST</sub> of 128 Hz can be measured at the TEST pad. Connecting TEST (for at least 32 ms) to V<sub>DD</sub> changes the motor period from the selected value to T<sub>MT</sub> (mask-selectable) while the pulse width remains unaffected. This feature can be used for testing the mechanical parts of the clock.

## Operating Characteristics

$V_{SS} = 0\text{ V}$ ,  $V_{DD} = 1.5\text{ V}$ ,  $T_{amb} = +25^\circ\text{C}$ , unless otherwise specified

All voltage levels are measured with reference to  $V_{SS}$ . Test crystal as specified below.

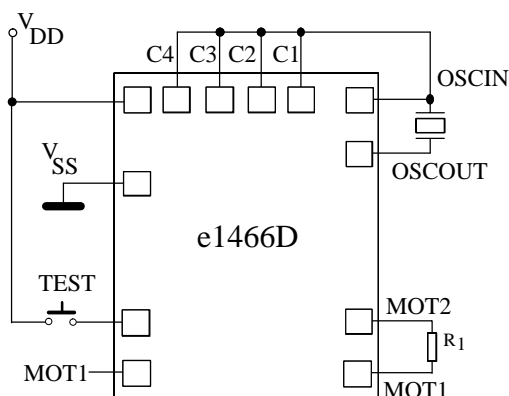
Parameters	Test Conditions / Pins	Symbol	Min.	Typ.	Max.	Unit
Operating voltage		$V_{DD}$	1.1	1.5	2.2	V
Operating temperature		$T_{amb}$	-20		+70	°C
Operating current	$R_1 = \infty$ , note 2	$I_{DD}$		2	5	μA
<b>Motor drive output</b>						
Motor output current	$V_{DD} = 1.2\text{ V}$ , $R_1 = 200\ \Omega$	$I_M$	± 4.3			mA
Motor period		$T_M$	See option list			
Motor period during motor test		$T_{MT}$	See option list			
Motor pulse width		$t_M$	See option list			
<b>Oscillator</b>						
Startup voltage	Within 2 s	$V_{START}$	1.2		2.2	V
Frequency stability	$\Delta V_{DD} = 100\text{ mV}$ , $V_{DD} = 1.1\text{ to }2.2\text{ V}$	$\Delta f/f$		1		ppm
Integrated input capacitance	Note 3	$C_{OSCIN}$	See option list			
Integrated output capacitance		$C_{OSCOUT}$	See option list			
Integrated capacitance for bond option	Note 4	$C_1$		3		pF
	Note 4	$C_2$		4		pF
	Note 4	$C_3$		5		pF
	Note 4	$C_4$		6		pF
<b>TEST input</b>						
Input current	TEST = $V_{DD}$ peak current	$I_{TINH}$	0.6	3	10	μA
Input current	TEST = $V_{SS}$ peak current	$I_{TINL}$	-0.6	-3	-10	μA
Input debounce delay		$t_{TIN}$	23.4		31.2	ms

**Note 1:** Typical parameters represent the statistical mean values

**Note 2:** See test circuit

**Note 3:** Values can be selected in 1 pF steps. A total capacitance ( $C_{OSCIN} + C_{OSCOUT}$ ) of 38 pF is available

**Note 4:** These values are valid for 10 pF quartz applications. For  $C_L = 12.5\text{ pF}$  these values change to 4.5, 6, 7.5, 9 pF

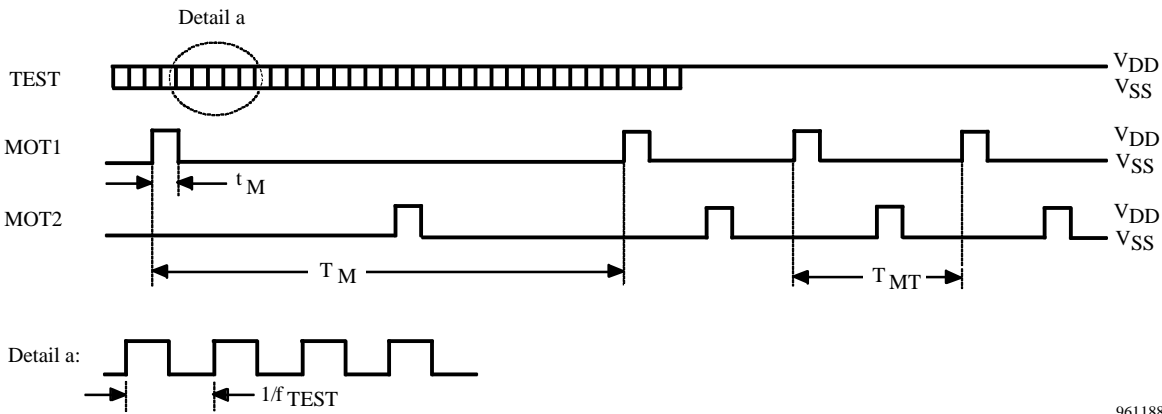


9611883

Figure 1. Functional test

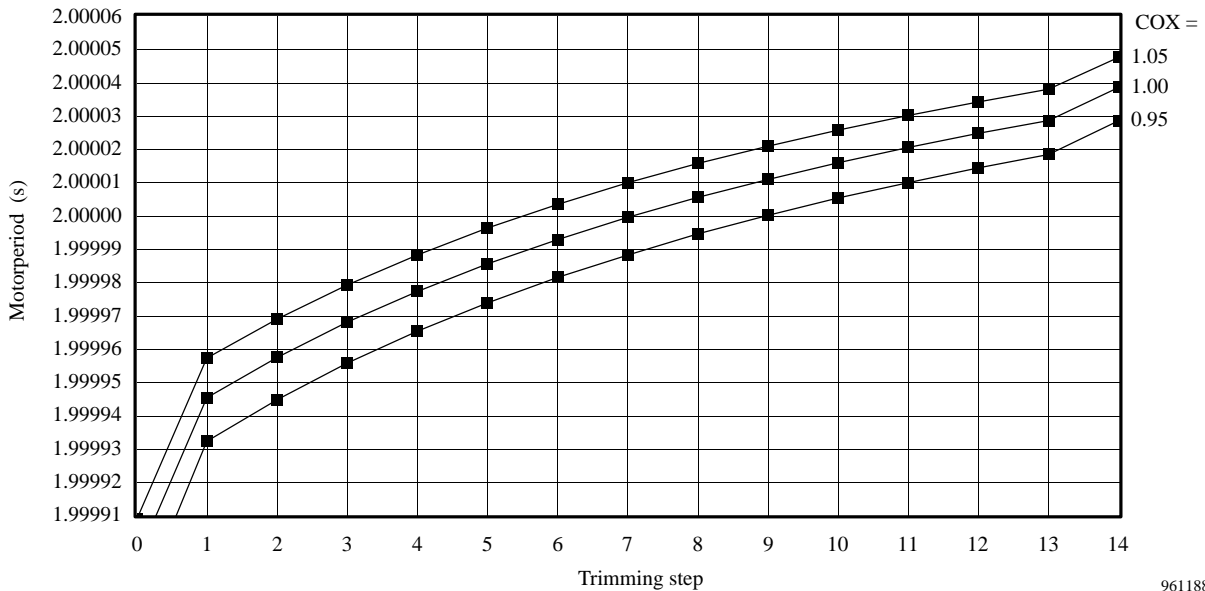
## Test Crystal Specification

Oscillation frequency	$f_{OSC} = 32768\text{ Hz}$
Series resistance	$R_S = 30\text{ k}\Omega$
Static capacitance	$C_0 = 1.5\text{ pF}$
Dynamic capacitance	$C_1 = 3.0\text{ fF}$
Load capacitance	$C_L$ optionally 10 or 12.5 pF



9611884

Figure 2. Motor output signal during normal operation and during motor test



9611885

Figure 3. Typical trimming curve characteristic for  $T_M$  of 2 s

$C_{OX}$  means frequency deviation due to production process variations.

Trimming inputs  $C_1 \dots C_4$  are binary weighted, i.e.,  $C_1 \dots C_4 = 0$  corresponds to trimming step 0  
 $C_1 \dots C_4 = 1$  corresponds to trimming step 15

LSB =  $C_1$

## Ordering Information

Table 3 Option list e1466Dx

Option x	Motor			Integrated Capacitance						Load Cap. pF
	Cycle (T <sub>M</sub> ) s	Pulse (t <sub>M</sub> ) ms	Test (T <sub>MT</sub> ) ms	C <sub>OSCIN</sub> *) pF	C <sub>OSCOU</sub> *) pF	C1 pF	C2 pF	C3 pF	C4 pF	
A	2	46.9	250	9	20	3	4	5	6	10
AO	2	46.9	250	9	20	3	4	5	6	10
FO	0.25	62.5	2000	9	20	3	4	5	6	10
HO	2	1000	500/ 250	9	20	3	4	5	6	10

\*) on-chip stray capacitance included

Option x	Pad Designation											
	Pad 1	Pad 2	Pad 3	Pad 4	Pad 5	Pad 6	Pad 7	Pad 8	Pad 8	Pad 10	Pad 11	Pad 12
A	OSCIN	OSC- OUT	MOT2	MOT1	MOT1	TEST	V <sub>SS</sub>	V <sub>DD</sub>	C4	C3	C2	C1
AO	OSCIN	OSC- OUT	MOT2	MOT1	MOT1	TEST	V <sub>SS</sub>	V <sub>DD</sub>	C4	C3	C2	C1
FO	OSCIN	OSC- OUT	MOT2	MOT1	MOT1	TEST	V <sub>SS</sub>	V <sub>DD</sub>	C4	C3	C2	C1
HO	OSCIN	OSC- OUT	MOT2	MOT1	MOT1	TEST	V <sub>SS</sub>	V <sub>DD</sub>	C4	C3	C2	C1

**We reserve the right to make changes to improve technical design and may do so without further notice.**

Parameters can vary in different applications. All operating parameters must be validated for each customer application by the customer. Should the buyer use Atmel Wireless & Microcontrollers products for any unintended or unauthorized application, the buyer shall indemnify Atmel Wireless & Microcontrollers against all claims, costs, damages, and expenses, arising out of, directly or indirectly, any claim of personal damage, injury or death associated with such unintended or unauthorized use.

**Data sheets can also be retrieved from the Internet: <http://www.atmel-wm.com>**

Atmel Germany GmbH, P.O.B. 3535, D-74025 Heilbronn, Germany  
Telephone: 49 (0)7131 67 2594, Fax number: 49 (0)7131 67 2423