



Terminals & Splices > Splices



Product Type: **Splice**

Terminal & Splice Type: **Splice**

Wire Size: .14 – .05 mm²

Sealable: **Yes**

Features

Product Type Features

Coaxial Cable Type	RG 180, RG 195, RG M17/137-00001, RG M17/139-00001
Product Type	Splice
Sealable	Yes
Splice Type	Crimp Splice
Serrated	No
Wire/Cable Type	Coaxial Cable
Insulated	Yes

Configuration Features

Number of Conductors	1
----------------------	---

Body Features

Insulation Sleeve Material	Polyolefin
Weight per Piece	1 g
Plating Material	Tin/Silver
Insulation Material	Heat Shrink Radiation-Crosslinked Modified Polyolefin
Splice Material	Copper Alloy
Color	Yellow

Contact Features

Contact Plating Material	Tin
Terminal & Splice Type	Splice

Termination Features

Termination Method	Crimp, Solder
--------------------	---------------

Dimensions

Wire Size	.14 – .05 mm ²
-----------	---------------------------

Usage Conditions

Cable Temperature Rating	125 °C
--------------------------	--------

Industry Standards

Government Qualified	No
----------------------	----

Packaging Features

Packaging Quantity	100
--------------------	-----

Packaging Method	Bag
------------------	-----

Product Compliance

[For compliance documentation, visit the product page on TE.com>](#)

EU RoHS Directive 2011/65/EU	Not Compliant
EU ELV Directive 2000/53/EC	Not Compliant
China RoHS 2 Directive MIIT Order No 32, 2016	Restricted Materials Above Threshold
EU REACH Regulation (EC) No. 1907/2006	Current ECHA Candidate List: JAN 2019 (197) Candidate List Declared Against: JAN 2019 (197)
Halogen Content	BFR/CFR/PVC Free, but Br/Cl >900 ppm in other sources.
Solder Process Capability	Not applicable for solder process capability

Product Compliance Disclaimer

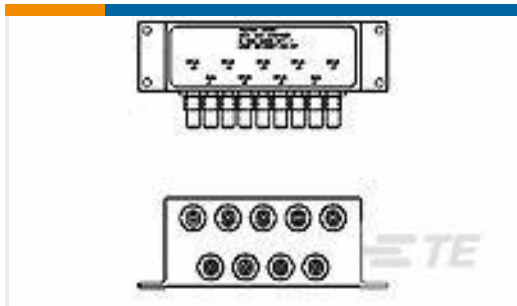
This information is provided based on reasonable inquiry of our suppliers and represents our current actual knowledge based on the information they provided. This information is subject to change. The part numbers that TE has identified as EU RoHS compliant have a maximum concentration of 0.1% by weight in homogenous materials for lead, hexavalent chromium, mercury, PBB, PBDE, DBP, BBP, DEHP, DIBP, and 0.01% for cadmium, or qualify for an exemption to these limits as defined in the Annexes of Directive 2011/65/EU (RoHS2). Finished electrical and electronic equipment products will be CE marked as required by Directive 2011/65/EU. Components may not be CE marked. Additionally, the part numbers that TE has identified as EU ELV compliant have a maximum concentration of 0.1% by weight in homogenous materials for lead, hexavalent chromium, and mercury, and 0.01% for cadmium, or qualify for an exemption to these limits as defined in the Annexes of Directive 2000/53/EC (ELV). Regarding the REACH Regulations, TE's information on SVHC in articles for this part number is still based on the European Chemical Agency (ECHA) 'Guidance on requirements for substances in articles' (Version: 2, April 2011), applying the 0.1% weight on weight concentration threshold at the finished product level. TE is aware of the European Court of Justice ruling of September 10th, 2015 also known as O5A (Once An Article Always An Article) stating that, in case of 'complex object', the threshold for a SVHC must be applied to both the product as a whole and simultaneously to each of the articles forming part of its composition. TE has evaluated this ruling based on the new ECHA "Guidance on requirements for substances in articles" (June 2017, version 4.0) and will be updating its statements accordingly.

Compatible Parts



TE Part # CJ2087-000
[HL2010E-KIT-120V](#)

Customers Also Bought



TE Part #757909-000
[D-500-0255-571-1](#)



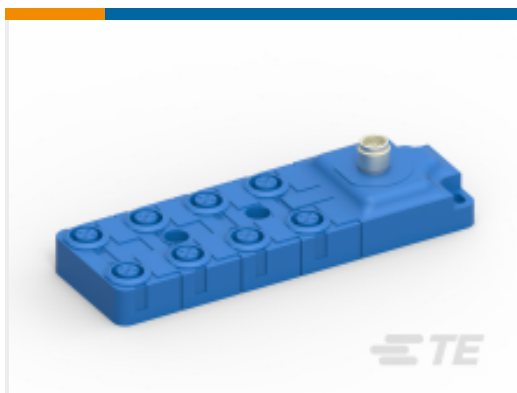
TE Part #501939-000
[D-150-0096](#)



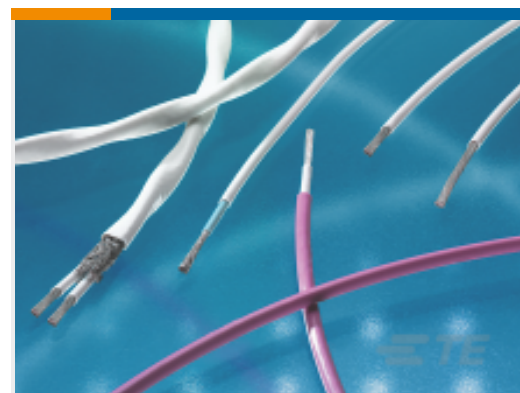
TE Part #2-862545-3
[LEAD, SGL END ASSY,
LGH](#)



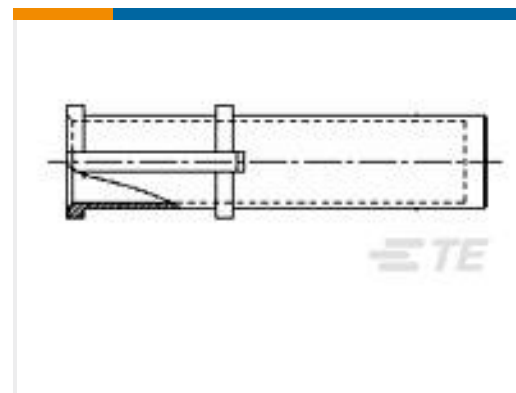
TE Part #909160-000
[204M016-19B10](#)



TE Part #2273161-1
[DISTR BOX M12 4-5POS
8WAY M12/12P PNP](#)



TE Part #1425893001
[55A9002-26-3](#)



TE Part #891926-000
[HEX07-AB](#)



TE Part #032171-000
[HEX40-AB-00-25-A12-2-DS](#)



TE Part #779089-000
[TXR40AB45-1612BI](#)

Documents

Product Drawings

[D-150-0095](#)

English

Datasheets & Catalog Pages

[1654025_Sec8_D-150_D-500_DK-621](#)



English

[1654025_Sec8_D-150](#)

English

Product Environmental Compliance

REACH Substance Communication Document

English