

**RADIALL****R 418 040 000****TECHNICAL
DATA SHEET**TITLE MANUAL STEP ATTENUATORLTR. AELECTRICAL CHARACTERISTICS:

OPERATING FREQUENCY : DC - 4 GHz
 IMPEDANCE : 50 Ohms
 ATTENUATION :
 (reference from 0 dB pos.) : 0 - 25 dB by 5 dB step
 ATTENUATION ACCURACY :
 (1 to 10 dB) : ± 0.3 dB
 (15 to 25 dB) : ± 0.4 dB
 V.S.W.R. : <= 1.30
 INSERTION LOSS (residual) : <= 0.30 dB
 AVERAGE POWER : 2 W at 25°C
 PEAK POWER : 500 W (1 μs, 1%)

MECHANICAL CHARACTERISTICS:

CONNECTORS : N male/female per MIL C 39012
 WEIGHT : 680 grams

ENVIRONMENTAL CHARACTERISTICS:

OPERATING TEMPERATURE RANGE : 0°C to 40°C

Tentative data subject to change without notice.

PEN	QUALITY Dpt App.				
	MO	<i>[Signature]</i>			
CAT	B				
PAGE	DATE	NAME	LTR	REVISIONS	DATE APP.
1/2	19/09/91	K. LUCIEN			

3294 - 9011



RADIALL

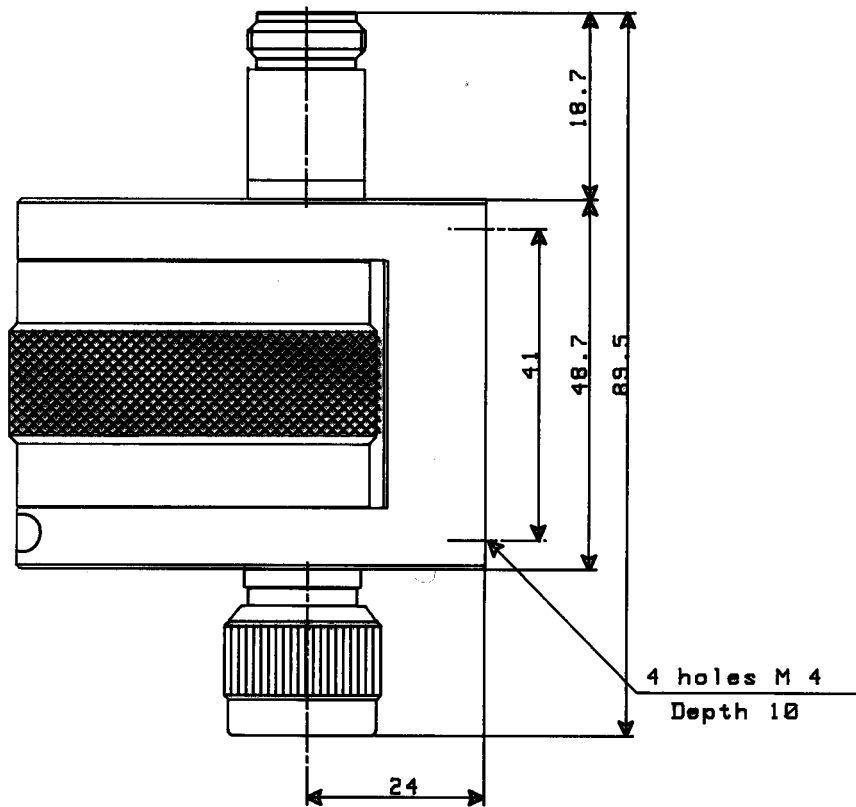
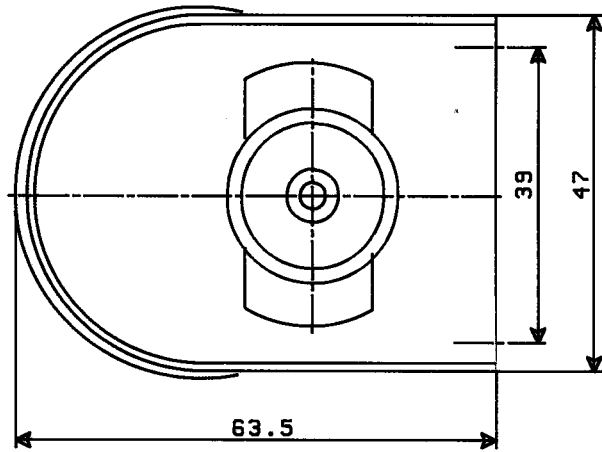
® R418 040 000

**TECHNICAL
DATA SHEET**

TITLE MANUAL STEP ATTENUATOR

LTR. A

DRAWING:



General tolerances: ± 0.5 mm

PEN

QUALITY Dpt App.

CRT

MO
B

24 SEP 1991

PAGE

DATE

NAME

2/2

19/09/91

K. LUCIEN

LTR

REVISIONS

DATE

APP.

Tentative data subject to change without notice.

3294 - 9011