

NOTES:

1. MATERIALS AND FINISHES:  
 BODY - BeCu, GOLD PLATING, .000030 [0.8] THICK OVER NICKEL  
 CONTACT - BeCu, GOLD PLATING, .000030 [0.8] THICK OVER NICKEL  
 INSULATOR - PTFE
2. ELECTRICAL:  
 A. IMPEDANCE: 50 OHM  
 B. FREQUENCY RANGE: DC - 26.5 GHz  
 C. VSWR(RETURN LOSS): 1.2 (20.8 dB), MAX. DC-10GHz  
                                   1.4 (15.6 dB), MAX. 10-18GHz  
                                   1.5 (14 dB), MAX. 18-26.5GHz  
 D. DIELECTRIC WITHSTANDING VOLTAGE: 500 VRMS, MIN.
3. PHYSICAL:  
 A. DURABILTIY: 100 CYCLES MIN.  
 B. ENGAGEMENT FORCE: 15 LB [67 N] MAX  
 C. DISINGAGEMENT FORCE: 2 LB [9 N] MIN  
 E. TEMERATURE RANGE: -65° C TO 165° C
4. PACKAGING:  
 A. QUANTITY: SINGLE PACK  
 B. MARKING: AMPHENOL, SMP-FSBA-220, DATE CODE

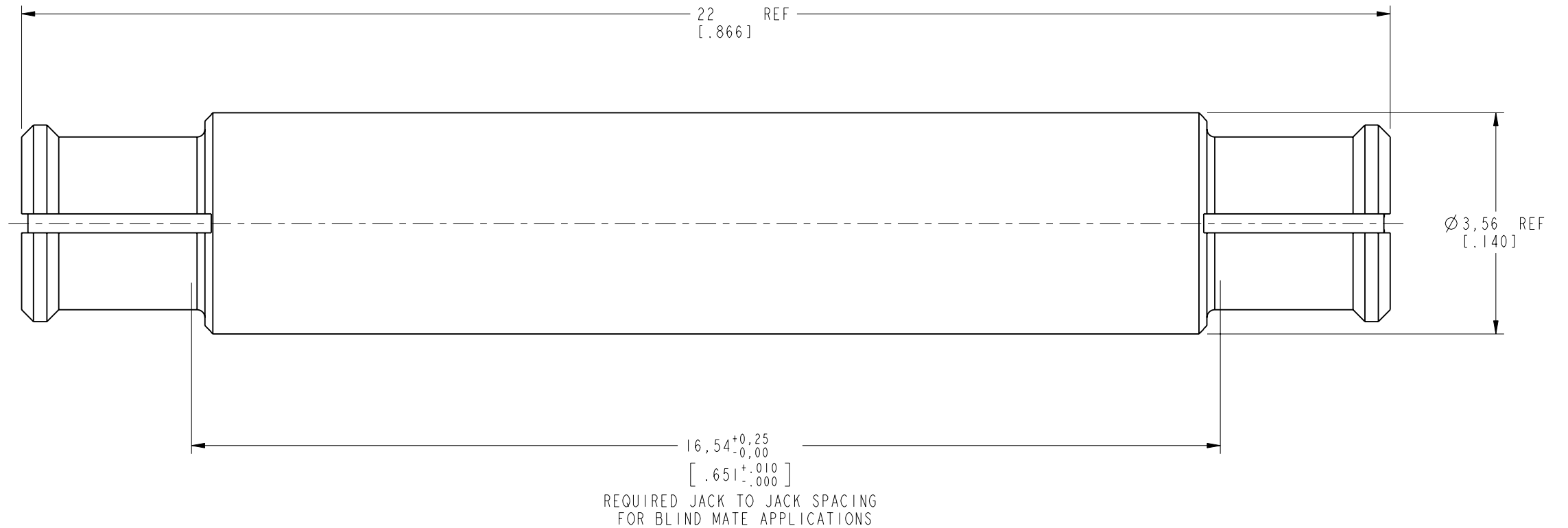
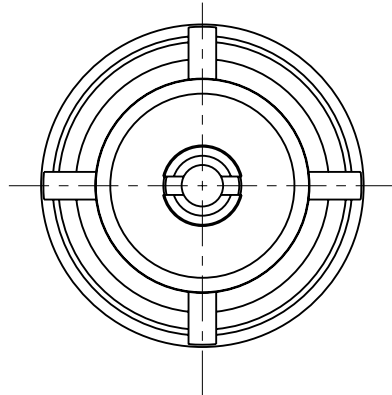
THIRD ANGLE PROJ.

REVISIONS

REV	DESCRIPTION	DATE	ECO	APPR
A	RELEASE TO MFG.	08-May-14	49961	JTS



SCALE 4.000



**CUSTOMER OUTLINE DRAWING**

ALL OTHER SHEETS ARE FOR INTERNAL USE ONLY

UNLESS OTHERWISE SPECIFIED, DIMENSIONS ARE IN METRIC AND TOLERANCES ARE:  
 <0.5mm ±0.05mm    0.5 - 6mm ±0.1mm    6 - 30mm ±0.2mm    30 - 120mm ±0.3mm    ANGLES ±1°

NOTICE - These drawings, specifications, or other data (1) are, and remain the property of Amphenol corp. (2) must be returned upon request; and (3) are confidential and not to be disclosed to any person other than those to whom they are given by Amphenol Corp. the furnishing of these drawings, specifications, or other data by Amphenol Corp., or to any other person to anyone for any purpose is not to be regarded by implication or otherwise in any manner licensing, granting rights to permitting such holder or any other person to manufacture, use or sell any product, process or design, patented or otherwise, that may in any way be related to or disclosed by said drawings, specifications, or other data.

MATERIAL	DRAWN J. CHEN	DATE 08-May-14	TITLE SMP BULLET ASSY 22.00mm		Amphenol RF www.amphenolrf.com	
REFERENCE EAR #5859	ENGINEER T. SMITH	DATE 29-Aug-13				
FINISH	APPROVED S. HSIEH	DATE 13-May-14	SCALE: 12.0:1.0	SHEET 2 OF 2	DRAWING NO. SMP-FSBA-220	
	CAD FILE		DWG SIZE B	REV A	ITEM NO. SMP-FSBA-220	
					PART NO. SMP-FSBA-220	