

Document No.	853-0687
ECN No.	99799
Date of Issue	June 14, 1990
Status	Product Specification
ECL Products	

10210 Line Driver

High-Speed Dual 3-Input/3-Output OR Line Driver

FEATURES

- Typical propagation delay: 1.5ns
- Typical supply current ($-I_{EE}$): 31mA

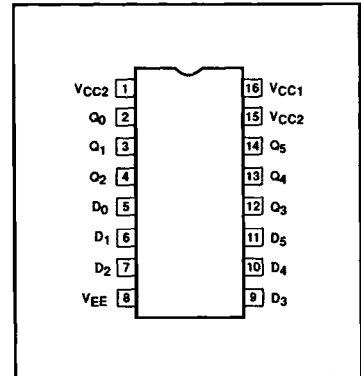
DESCRIPTION

The 10210 is a high-speed dual 3-input/3-output OR line driver intended to drive up to six transmission lines simultaneously. This feature makes the device particularly useful in clock distribution applications. The 10210 is a higher speed version of the 10110. It is a pin-for-pin replacement for the device. All unused inputs can be left open due to integrated pull-down resistors, which avoid the need for a supply voltage.

ORDERING INFORMATION

DESCRIPTION	ORDER CODE
16-Pin Plastic DIP	10210N
16-Pin Ceramic DIP	10210F

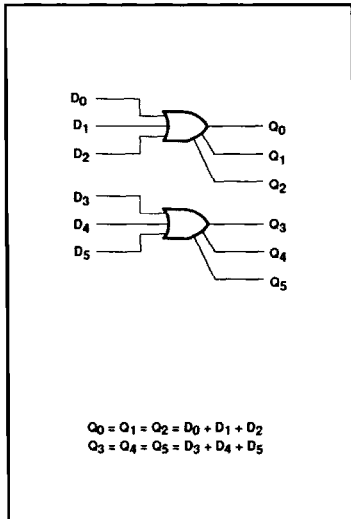
PIN CONFIGURATION



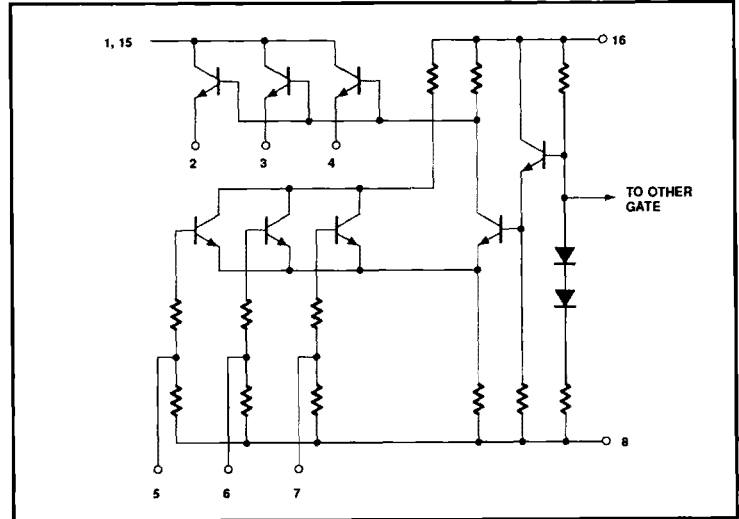
PIN DESCRIPTION

PINS	DESCRIPTION
$D_0 - D_5$	Data Inputs
$Q_0 - Q_5$	Data Outputs (OR)

LOGIC DIAGRAM



SIMPLIFIED SCHEMATIC



Line Driver

10210

ABSOLUTE MAXIMUM RATINGS

SYMBOL	PARAMETER	LIMITS	UNIT	
V_{EE}	Supply voltage	-8.0	V	
V_{IN}	Input voltage (V_{IN} should never be more negative than V_{EE})	0 to V_{EE}	V	
I_O	Output source current (continuous)	-50	mA	
T_S	Storage temperature range	-55 to +150	°C	
T_J	Maximum junction temperature	Ceramic Package	+165	°C
		Plastic Package	+150	°C

NOTE:

Operation beyond the limits set forth in this table may impair the useful life of the device. Unless otherwise noted, these limits are specified over the operating ambient temperature range.

DC OPERATING CONDITIONS

SYMBOL	PARAMETER	TEST CONDITIONS	LIMITS			UNIT
			MIN.	NOM.	MAX.	
V_{CC1}, V_{CC2}	Circuit ground		0	0	0	V
V_{EE}	Supply voltage (negative)			-5.2		V
V_{IH}	High level input voltage	$T_A = -30^\circ\text{C}$			-890	mV
		$T_A = +25^\circ\text{C}$			-810	mV
		$T_A = +85^\circ\text{C}$			-700	mV
V_{IHT}	High level input threshold voltage	$T_A = -30^\circ\text{C}$	-1205			mV
		$T_A = +25^\circ\text{C}$	-1105			mV
		$T_A = +85^\circ\text{C}$	-1035			mV
V_{ILT}	Low level input threshold voltage	$T_A = -30^\circ\text{C}$			-1500	mV
		$T_A = +25^\circ\text{C}$			-1475	mV
		$T_A = +85^\circ\text{C}$			-1440	mV
V_{IL}	Low level input voltage	$T_A = -30^\circ\text{C}$	-1890			mV
		$T_A = +25^\circ\text{C}$	-1850			mV
		$T_A = +85^\circ\text{C}$	-1825			mV
T_A	Operating ambient temperature range		-30	+25	+85	°C

NOTE:

When operating at other than the specified V_{EE} voltage (-5.2V), the DC and AC Electrical Characteristics will vary slightly from specified values.

Line Driver

10210

DC ELECTRICAL CHARACTERISTICS $V_{CC1} = V_{CC2} = \text{ground}$, $V_{EE} = -5.2V \pm 0.010V$, $T_A = -30^\circ\text{C}$ to $+85^\circ\text{C}$ output loading 50Ω to $-2.0V \pm 0.010V$ unless otherwise specified^{1,3}

SYMBOL	PARAMETER	TEST CONDITIONS ²	LIMITS			UNIT
			MIN.	TYP.	MAX.	
V_{OH}	High level output voltage	$T_A = -30^\circ\text{C}$	-1060		-890	mV
		$T_A = +25^\circ\text{C}$	-960		-810	mV
		$T_A = +85^\circ\text{C}$	-890		-700	mV
V_{OHT}	High level output threshold voltage	$T_A = -30^\circ\text{C}$	-1080			mV
		$T_A = +25^\circ\text{C}$	-980			mV
		$T_A = +85^\circ\text{C}$	-910			mV
V_{OLT}	Low level output threshold voltage	$T_A = -30^\circ\text{C}$			-1655	mV
		$T_A = +25^\circ\text{C}$			-1630	mV
		$T_A = +85^\circ\text{C}$			-1595	mV
V_{OL}	Low level output voltage	$T_A = -30^\circ\text{C}$	-1890		-1675	mV
		$T_A = +25^\circ\text{C}$	-1850		-1650	mV
		$T_A = +85^\circ\text{C}$	-1825		-1615	mV
I_{IH}	High level input current	$T_A = -30^\circ\text{C}$			650	μA
		$T_A = +25^\circ\text{C}$			410	μA
		$T_A = +85^\circ\text{C}$			410	μA
I_{IL}	Low level input current	$T_A = -30^\circ\text{C}$	0.5			μA
		$T_A = +25^\circ\text{C}$	0.5			μA
		$T_A = +85^\circ\text{C}$	0.3			μA
$-I_{EE}$	V_{EE} supply current	$T_A = -30^\circ\text{C}$			42	mA
		$T_A = +25^\circ\text{C}$		31	38	mA
		$T_A = +85^\circ\text{C}$			42	mA
$\frac{\Delta V_{OH}}{\Delta V_{EE}}$	High level output voltage compensation	$T_A = +25^\circ\text{C}$		0.016		V/V
$\frac{\Delta V_{OL}}{\Delta V_{EE}}$	Low level output voltage compensation			0.250		V/V
$\frac{\Delta V_{BB}}{\Delta V_{EE}}$	Reference bias voltage compensation			0.148		V/V

NOTES:

- The specified limits represent the worst case values for the parameter. Since these worst case values normally occur at the supply voltage and temperature extremes, additional noise immunity can be achieved by decreasing the allowable operating condition ranges.
- Conditions for testing shown in the tables are not necessarily worst case. For worst case testing guidelines, refer to DC Testing, Chapter 1, Section 3.
- The specified limits shown in the DC Electrical Characteristics table can be met only after thermal equilibrium has been established. Thermal equilibrium is established by applying power for at least 2 minutes, while maintaining transverse airflow of 2.5 meters/sec (500 linear feet/min) over the device, mounted either in a test socket or on a printed circuit board. Test voltage values are given in the DC Operating Conditions table.

Line Driver

10210

AC ELECTRICAL CHARACTERISTICS $V_{CC1} = V_{CC2} = \text{ground}, V_{EE} = -5.2V \pm 0.010V$

SYMBOL	PARAMETER	TEST CONDITIONS	LIMITS							UNIT
			$T_A = -30^\circ\text{C}$		$T_A = +25^\circ\text{C}$			$T_A = +85^\circ\text{C}$		
			MIN.	MAX.	MIN.	TYP.	MAX.	MIN.	MAX.	
t_{PLH} t_{PHL}	Propagation delay D_n to Q_n	Waveform 1	1.00	2.60	1.00	1.50	2.50	1.00	2.80	ns
t_{TLH} t_{THL}	Transition time 20% to 80%, 80% to 20%		1.00	2.60	1.00	1.50	2.50	1.00	2.80	ns

NOTE:

For AC test setup information, see AC Testing, Chapter 2, Section 3.

AC WAVEFORMS

