

IO-Link / analog converter

AO U -10- + 10V, M12, straight

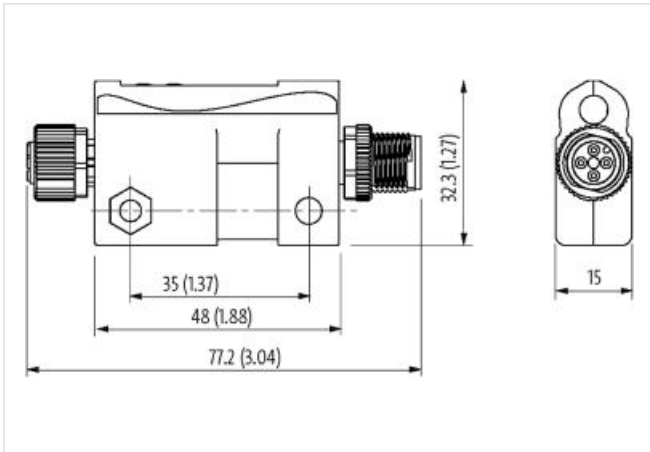
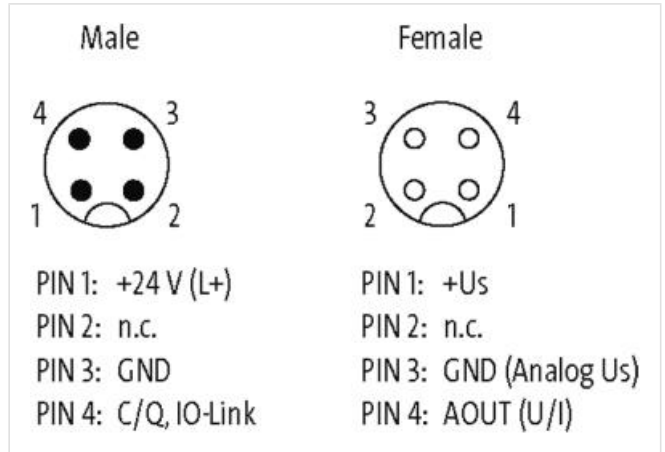
IO-Link / analog converter

AO U -10...+10V, M12

16Bit, IP65/67, IO-Link V1.1, Class A

Link to Product

Illustration



Product may differ from Image



Commercial data

ECLASS-6.0	27242601
ECLASS-6.1	27242602
ECLASS-7.0	27242602
ECLASS-8.0	27242602
ECLASS-9.0	27242602
ECLASS-10.1	27242602

ECLASS-11.1	27242602
ECLASS-12.0	27242602
ETIM-5.0	EC001596
customs tariff number	85437090
GTIN	4048879588249
Packaging unit	1

Electrical data | Supply

Norm operating voltage	EN 61131-2
Operating voltage DC	24 V
Operating voltage DC min.	18 V
Operating voltage DC max.	30 V
Operating voltage UA DC	24 V
Current consumption max.	19 mA

Electrical data | Output

Type Output	2-, 3-, 4-wire technology
Output current max.	0,2 A
Parameterizable input averaging filter process data	yes
Conversion time analog output max.	5 ms

Industrial communication | IO-Link

IO-Link process data length output	2 Bytes
IO-Link revision ID	V1.1
IO-Link cycle time min.	2,3 ms
IO-Link transmission rate	COM2 (38.4 kbit/s)
Port Class	A

Diagnostics

Diagnostic via IO-Link	yes
Diagnostic via LED	yes
IO-Link events	Device defect, Overtemperature, Overvoltage supply, Undervoltage supply, lower limit, upper limit
LED display	Ethernet connection/data traffic
Temperature control	yes

Device protection | Electrical

Short-circuit protection output	yes
Short circuit protection sensor supply	yes
Degree of protection (EN IEC 60529)	IP65, IP67
Invers-polarity protection	yes
Resistance to loads with regenerative power	yes
Over voltage protection	yes

Mechanical data | Material data

Material housing	Plastic
------------------	---------

Mechanical data | Mounting data

Height	32,3 mm
Width	77,2 mm
Depth	15 mm

Environmental characteristics | Climatic

Operating temperature min.	-30 °C
Operating temperature max.	70 °C
Storage temperature min.	-40 °C
Storage temperature max.	85 °C

Connection type 2

Connection type 1	AO
-------------------	----

Connection type 2	IO-Link AO
Family construction form	M12
Gender	female
Color contact carrier	black
Coding	A
No. of poles	4
Family construction form	M12
Gender	male
Color contact carrier	black
Coding	A
No. of poles	4