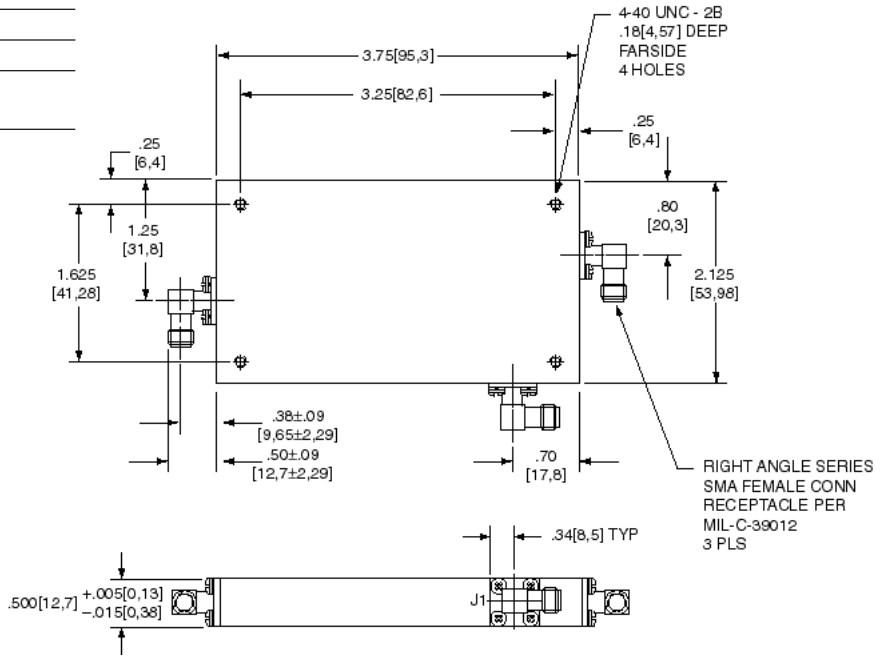
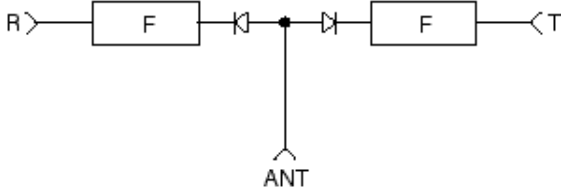


CUSTOM CAPABILITY
FILTER-DUPLEXER

MODEL BY-1003S

ELECTRICAL SPECIFICATIONS

Frequency:	1090 MHz; Receive 1030 MHz; Transmit
Power:	+35 dBw Peak
Insertion Loss:	0.75/1.0 dB (R/T)
Filtering:	60 dB up to 4 GHz 20 dB up to 12.4 GHz

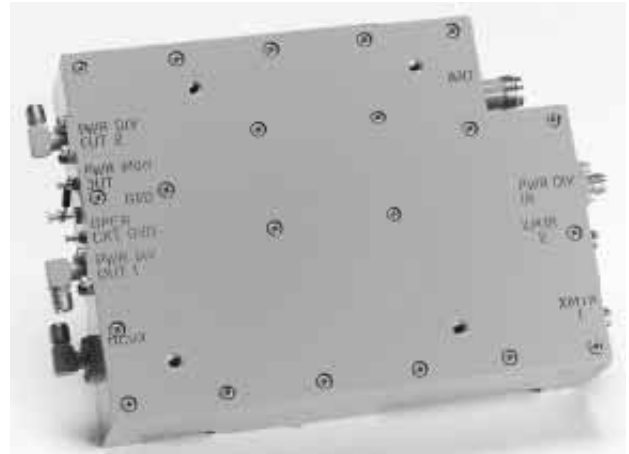
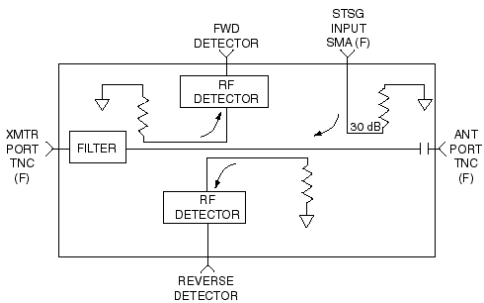


CUSTOM CAPABILITY
FILTER-COUPLER-DETECTOR

MODEL AY-C68A

ELECTRICAL SPECIFICATIONS

Frequency:	1020-1100 MHz
Loss:	XMTR-ANT 0.7 dB
Filter Function:	DC-500 MHz ≥60 dB 500-700 MHz ≥30 dB 1020-1100 MHz ≥0.7 dB 1.55-2.0 GHz ≥30 dB 2.0-2.5 GHz ≥60 dB 2.5-5.0 GHz ≥50 dB 5.0-6.0 GHz ≥40 dB 6.0-8.0 GHz ≥30 dB 8.0-12.4 GHz ≥15 dB



KEY: Inches[Millimeters] .XX ±.03 .XXX ±.010 [.X ±0.8 .XX ±0.25]



60 South Jefferson Road, Whippany, NJ 07981
 Tel: 973-887-8100 • Fax: 973-884-0445
 E-Mail: kdisales@aol.com
 See us on the web @ www.kditriangle.com