

VERTI-SOCKETS

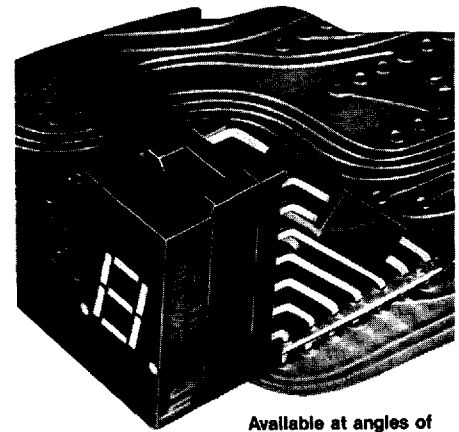
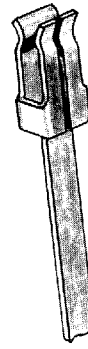
Aries offers a full line of Vertisockets for DIP packaging of LED's, incandescent lamps, DIP switches, test points, etc. The variations of mounting position and pin configuration give a wide latitude of design freedom to the packaging engineer.

FEATURES

- Available in either Aries bifurcated contact or collet contact styles.
- Restricted entry for contact protection.
- Maximum electrical contact.
- Accepts standard LED's and incandescent displays as well as .5" (12,70) and .6" (15,24) high large displays.

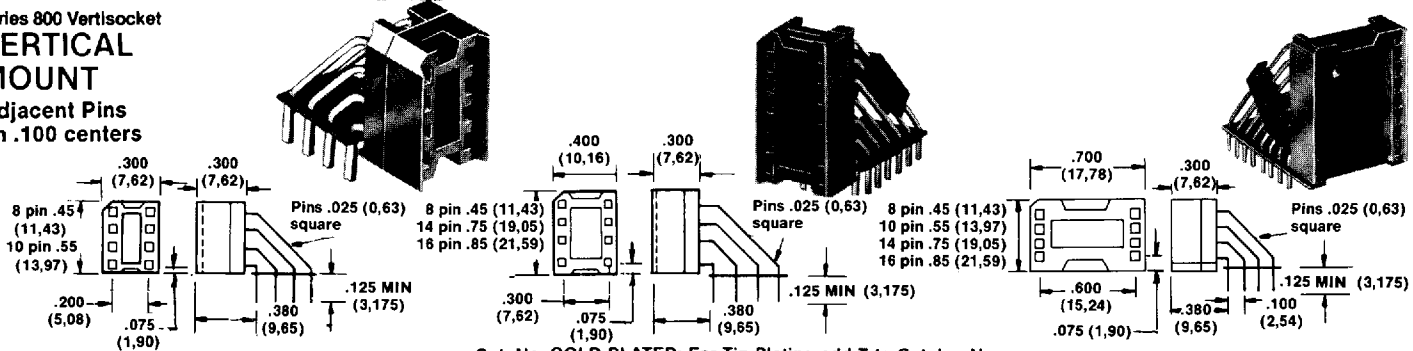
SPECIFICATIONS

Contacts: Grade A spring tempered phosphor bronze QQB-750
Plating: 10µ (0,25µm) gold per MIL-G-45204 over 50µ (1,27µm) nickel per QQN-290. Thicker gold plating available (consult factory).
 100µ (2,54µm) tin plating per MIL-T-10727 over 50µ (1,27µm) nickel per QQN-290.
Socket: Glass filled thermoplastic



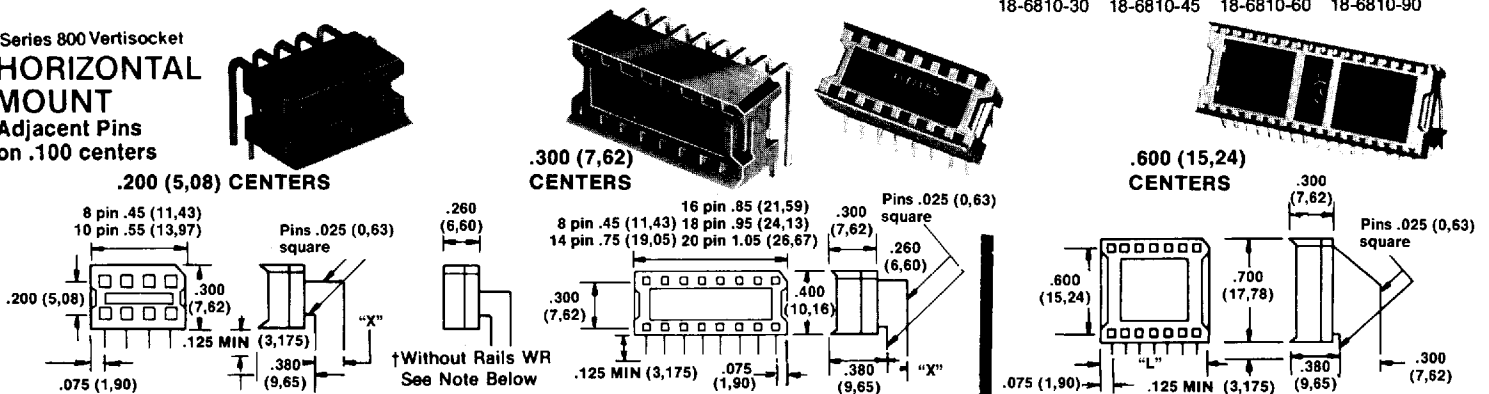
Available at angles of 30°, 45°, 60° and 90°. For special angles, consult factory.

Series 800 Vertisocket
VERTICAL MOUNT
 Adjacent Pins on .100 centers



.200 (5,08) Center Display				.300 (7,62) Center Display				.600 (15,24) Center Display			
30°	45°	60°	90°	30°	45°	60°	90°	30°	45°	60°	90°
8-2810-30	8-2810-45	8-2810-60	8-2810-90	8-810-30	8-810-45	8-810-60	8-810-90	8-6810-30	8-6810-45	8-6810-60	8-6810-90
10-2810-30	10-2810-45	10-2810-60	10-2810-90	14-810-30	14-810-45	14-810-60	14-810-90	10-6810-30	10-6810-45	10-6810-60	10-6810-90
				16-810-30	16-810-45	16-810-60	16-810-90	14-6810-30	14-6810-45	14-6810-60	14-6810-90
				18-810-30	18-810-45	18-810-60	18-810-90	16-6810-30	16-6810-45	16-6810-60	16-6810-90
								18-6810-30	18-6810-45	18-6810-60	18-6810-90

Series 800 Vertisocket
HORIZONTAL MOUNT
 Adjacent Pins on .100 centers



X DIM.	.200 (5,08) Center Display				.300 (7,62) Center Display				.600 (15,24) Center Display				
	30°	45°	60°	90°	30°	45°	60°	90°	30°	45°	60°	90°	L
.100	8-2820-30	8-2820-45	8-2820-60	8-2820-90	8-820-30	8-820-45	8-820-60	8-820-90	8-6823-30	8-6823-45	8-6823-60	8-6823-90	.45 (11,43)
(2,54)	10-2820-30	10-2820-45	10-2820-60	10-2820-90	14-820-30	14-820-45	14-820-60	14-820-90	10-6823-30	10-6823-45	10-6823-60	10-6823-90	.55 (13,97)
					16-820-30	16-820-45	16-820-60	16-820-90	14-6823-30	14-6823-45	14-6823-60	14-6823-90	.75 (19,05)
					18-820-30	18-820-45	18-820-60	18-820-90	16-6823-30	16-6823-45	16-6823-60	16-6823-90	.85 (21,59)
					20-820-30	20-820-45	20-820-60	20-820-90	18-6823-30	18-6823-45	18-6823-60	18-6823-90	.95 (24,13)
.200	8-2822-30	8-2822-45	8-2822-60	8-2822-90	8-822-30	8-822-45	8-822-60	8-822-90	20-6823-30	20-6823-45	20-6823-60	20-6823-90	1.05 (26,67)
(5,08)	10-2822-30	10-2822-45	10-2822-60	10-2822-90	14-822-30	14-822-45	14-822-60	14-822-90	22-6823-30	22-6823-45	22-6823-60	22-6823-90	1.15 (29,21)
					16-822-30	16-822-45	16-822-60	16-822-90	24-6823-30	24-6823-45	24-6823-60	24-6823-90	1.25 (31,75)
					18-822-30	18-822-45	18-822-60	18-822-90	28-6823-30	28-6823-45	28-6823-60	28-6823-90	1.45 (36,83)
					20-822-30	20-822-45	20-822-60	20-822-90	30-6823-30	30-6823-45	30-6823-60	30-6823-90	1.55 (39,37)
.300	8-2823-30	8-2823-45	8-2823-60	8-2823-90	8-823-30	8-823-45	8-823-60	8-823-90	32-6823-30	32-6823-45	32-6823-60	32-6823-90	1.65 (41,91)
(7,62)	10-2823-30	10-2823-45	10-2823-60	10-2823-90	14-823-30	14-823-45	14-823-60	14-823-90	34-6823-30	34-6823-45	34-6823-60	34-6823-90	1.75 (44,45)
					16-823-30	16-823-45	16-823-60	16-823-90	36-6823-30	36-6823-45	36-6823-60	36-6823-90	1.85 (46,99)
					18-823-30	18-823-45	18-823-60	18-823-90	38-6823-30	38-6823-45	38-6823-60	38-6823-90	1.95 (49,53)
					20-823-30	20-823-45	20-823-60	20-823-90	40-6823-30	40-6823-45	40-6823-60	40-6823-90	2.05 (52,07)
									48-6823-30	48-6823-45	48-6823-60	48-6823-90	2.45 (62,23)

Note: All sockets can be ordered without rails. Add suffix WR to catalog number.



P.O. Box 130, Frenchtown, NJ 08825
 Phone 1-908-996-6841
 FAX 1-908-996-3891