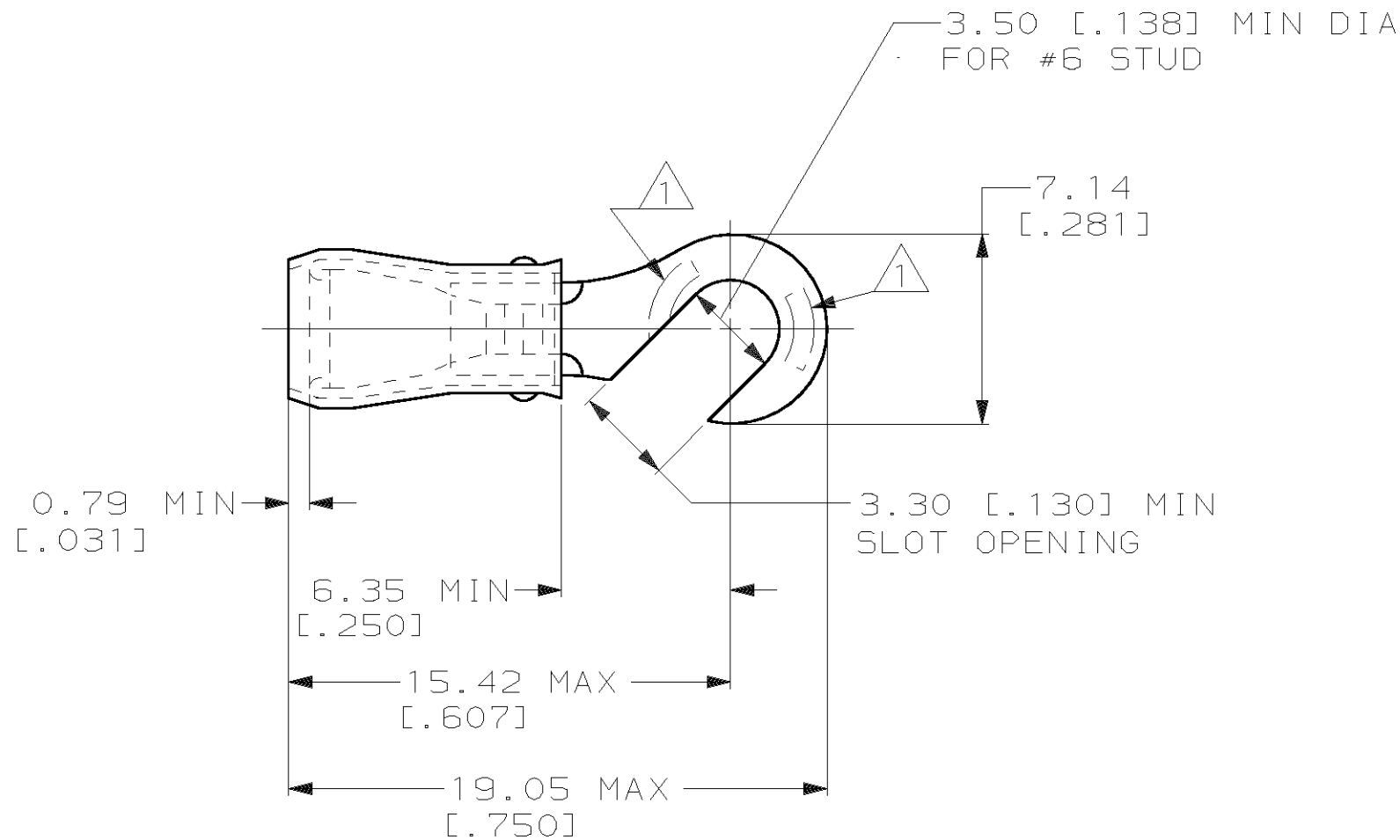


THIS DRAWING IS UNPUBLISHED. RELEASED FOR PUBLICATION, 19 .  
 © COPYRIGHT 19 BY AMP INCORPORATED. ALL INTERNATIONAL RIGHTS RESERVED.

LOC	DIST	P	F	REVISIONS			
ZONE	LTR	DESCRIPTION	DATE	APPD			
G	14			J	REV PER 0G3A-0589-01	180CT01	S <sup>R</sup> TM

<b>AMP</b> WIRE RANGE	<b>UL</b> Listed	<b>SF</b> LR7189 Certified
22-16 AWG SOLID OR STRANDED	22-16 AWG SOLID OR STRANDED	22-16 AWG SOLID OR STRANDED



- 1 STAMP AMP 22-18\* 1-2 APPROX AS SHOWN  
22-16 TERMINALS ARE STAMPED 22-18 IN  
ACCORDANCE WITH MILITARY SPEC MIL-T-7928  
COMMERCIAL WIRE RANGE IS 22-16
- 2 WIRE INSULATION DIA: 2.67-3.56 [.105-.140]
- 3 TONGUE MATERIAL THK: 0.79 ±0.05 [.031 ±.002]
- 4 PRELIMINARY - NOT FOR PRODUCTION

	5000	ON TAPE / REEL	4 2-34313-1
-	100	LOOSE PIECE, BOX	8-34313-1
-	1000	LOOSE PIECE	34313
MILITARY P/N AND CLASS	QUANTITY	PACKAGE TYPE	PART NO
DO NOT SCALE PRINT. UNLESS SPECIFIED DIMENSIONS IN mm [INCHES] TOLERANCES ON: 2 PLC DEC ± 0.20 [.008] 3 PLC DEC ± - ANGLES ± -	DR 3/21/94 L OLMEDA CHK 3/21/94 R HERSEY APPD 3/21/94 M ELLIS APPD 3/21/94 S BORTNER	<b>AMP</b> AMP Incorporated Harrisburg, PA 17105-3608 NAME TERMINAL, HOOK, PIDG™ WIRE SIZE: 22-16 AWG	
MATERIAL COPPER PER ASTM B-152 NYLON, COLOR: RED	PRODUCT SPEC 108-1034	SIZE B	CAGE CODE 00779
FINISH TIN PLATE PER ASTM B 545	APPLICATION SPEC NOT AVAILABLE	DRAWING NO C-34313	SCALE 4:1
	WEIGHT -	SHEET	1 OF 1

**AMP INCORPORATED  
CUSTOMER SERVICE SYSTEMS**

FOR ADDITIONAL PRODUCT INFORMATION OR COPIES OF DRAWINGS AND TECHNICAL DOCUMENTS	PRODUCT INFORMATION CENTER 1-800-522-6752
FOR APPLICATION TOOLING INFORMATION	TOOLING ASSISTANCE CENTER 1-800-722-1111
FOR ORDER ENTRY	1-800-526-5142

MAX RECOMMENDED OPERATING  
TEMPERATURE:  
105°C MAX

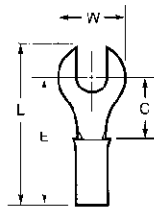
VOLTAGE RATING:  
300 V MAX

WIRE CROSS SECTIONAL AREA RANGE:  
0.26-1.65mm<sup>2</sup> [509-3,260] CIR MILS  
SOLID OR STRANDED

THIS DRAWING IS A CONTROLLED DOCUMENT FOR  
AMP INCORPORATED. IT IS SUBJECT TO CHANGE  
AND THE CONTROLLING ENGINEERING ORGANIZATION  
SHOULD BE CONTACTED FOR THE LATEST REVISION.

## PIDG (Pre-Insulated Diamond Grip) (Continued)

### Slotted Ring Tongue Terminals



#### Material

**Insulation**—Nylon except where noted.  
**Terminal Body and Metallic Sleeve**—Copper per ASTM B-152  
**Plating**—Tin per ASTM B-545

#### Related Product Data

**Insulation Color Code**—pg. 4  
**Packaging Quantities**—pg. 4  
**Performance Specifications**—pgs. 4 & 5  
**Application Tooling**—pg. 72

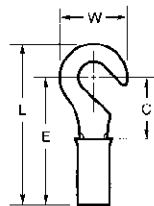
Wire Size Circular Mills [mm <sup>2</sup> ]	Tongue Material Thickness Max.	Stud Size	Dimensions				Terminal Insulation Color	Wire Insulation Diameter Max.	Part Numbers	
			W	C Min.	E Max.	L Max.			Loose Piece	Tape Mounted
26-22 202-810 [0.10-0.41]	.020 0.51	6	.250	.281	.612	.719	Yellow	.082 2.08	323011	2-323011-2
		M3.5	6.35	7.14	15.54	18.26				
22-16 509-3,260 [0.26-1.65]	.033 0.84	6	.312	.281	.685	.828	Red	.140 3.56	35216*	2-35216-1
		M3.5	7.92	7.14	17.40	21.03				
		8	.281	.250	.654	.770	Red	.140 3.56	36954*	2-36954-2
		M4	7.14	6.35	16.61	19.56				
10	.312	.281	.685	.812	Red	.125 3.18	331453	1-331453-0		
M6	7.92	7.14	17.40	20.62						
16-14 2,050-5,180 [1.04-2.62]	.033 0.84	1/4	.469	.437	.841	1.039	Red	.125 3.18	321808	—
		M6	11.91	11.10	21.36	26.39				
16-14 HD 2,050-5,180 [1.04-2.62]	.048 1.22	6	.343	.281	.685	.844	Blue	.170 4.32	34406	—
		M3.5	8.71	7.14	17.40	21.44				
12-10 5,180-13,100 [2.62-6.64]	.042 1.07	3/8	.750	.625	1.216	1.594	Yellow/Black	.250 6.35	696077-2	696077-1
		M6	19.05	15.88	30.89	40.49				
	.040 1.02	1/4	.531	.468	1.156	1.390	Yellow	.300 7.62	321611*	—
		M6	13.49	11.89	29.36	35.31				
		3/8	.750	.625	1.216	1.594	Yellow	.250 6.35	696076-2	696076-1
		M6	19.05	15.88	30.89	40.49				

\*Available in small packaging quantities.

†Insulation—Vinyl.

Note: "C" dimension applies from edge of metal wire barrel to center of stud hole.

### Hook Tongue Terminals



#### Material

**Insulation**—Nylon except where noted.  
**Terminal Body and Metallic Sleeve**—Copper per ASTM B-152  
**Plating**—Tin per ASTM B-545

#### Related Product Data

**Insulation Color Code**—pg. 4  
**Packaging Quantities**—pg. 4  
**Performance Specifications**—pgs. 4 & 5  
**Application Tooling**—pg. 72

Wire Size Circular Mills [mm <sup>2</sup> ]	Tongue Material Thickness Max.	Stud Size	Dimensions				Terminal Insulation Color	Wire Insulation Diameter Max.	Part Numbers	
			W	C Min.	E Max.	L Max.			Loose Piece	Tape Mounted
22-16 509-3,260 [0.26-1.65]	0.84 .033	6	.281	.203	.607	.750	Red	.140 3.56	34313*	—
		M3.5	7.14	5.16	15.42	19.05				
	.033	8	.343	.296	.705	.879	Red	.140 3.56	32456	—
		M4	8.71	7.52	17.91	22.33				
16-14 2,050-5,180 [1.04-2.62]	.033 0.84	6	.343	.281	.685	.859	Blue	.150 3.81	320381	2-320381-1
		M3.5	8.71	7.14	17.40	21.82				
	.033	8	.343	.281	.685	.859	Blue	.170 4.32	320306*	2-320306-1
		M4	8.71	7.14	17.40	21.82				
		10	.343	.281	.685	.859	Blue	.170 4.32	35481*	—
		M6	8.71	7.14	17.40	21.82				

\*Available in small packaging quantities.

†Insulation—Vinyl.

Note: "C" dimension applies from edge of metal wire barrel to center of stud hole.

- [Home](#)
- [Part Number Search](#)
- [Document Search](#)
- [Text Search](#)
- [Alternate Part Search](#)
- [Multiple Part Comparison](#)
- [Alphabetical Search](#)
- [Brand Search](#)
- [Industry Product Search](#)
- [Product Type Search](#)
- [Product Family Search](#)
- [Competitor Cross Reference](#)
- [Lead Free Solutions](#)
- [Help/Glossary](#)

<b>Current Brand View</b>	<a href="#">View All Tyco Electronics Brands</a> Click to activate links to all other products
<b>AMP</b>	

## Terminals and Splices

### Ring and Spade Tongue Terminals

**AMP**      **34313**      **Active**      [Active](#)

**(Tyco Electronics P/N: 34313)**

[Search for Parts](#) | [Previous](#) **1** [2] [3](#) [4](#) [5](#) [6](#) [7](#) [Next](#)

Document links for this part cannot be displayed. Your browser does not support inline frames or is currently configured not to display inline frames. Inline frames are supported in both Internet Explorer 5 and Netscape 6, as well as all later versions of these browsers.

Related Part Information		
General Information	eCommerce	Related Part Information
<a href="#">General Info</a> <a href="#">Sales Info</a> <a href="#">Assembly Subcontractors</a>	<a href="#">Pricing</a> <a href="#">Product Availability</a>	

**Photos & Line Drawings** - The photographs and/or line drawings are representative images of a product for viewing purposes only.

[Product Photo](#)

Searchable Features:	
<b>Brand:</b>	AMP
<b>Government/Industry Qualification:</b>	No
<b>Terminal Shape:</b>	Hook Tongue
<b>Receptacle Style:</b>	Straight
<b>Body Style:</b>	PIDG
<b>Barrel Type:</b>	Closed Barrel
<b>Wire/Cable Type:</b>	Regular Wire
<b>Wire Range (mm [AWG]):</b>	0.26-1.65 <sup>2</sup> [22-16]
<b>Wire Range (CMA):</b>	509 – 3,260
<b>Insulation:</b>	Yes
<b>Insulation Support:</b>	Insulation Support

Other Properties:	
<b>Voltage (VAC):</b>	300
<b>Tongue Material Thickness (mm [in]):</b>	0.84 [0.033]
<b>Color:</b>	Red
<b>Insulation Material:</b>	Nylon
<b>Packaging Quantity:</b>	1,000
<b>Comment:</b>	Metal Ramped Nut, Zinc

<b>Insulation Diameter (mm [in]):</b>	3.56 [.140] Max.
<b>Stud Size:</b>	6 [M3.5]
<b>Stud Diameter (mm [in]):</b>	3.51 [0.138]
<b>Shape:</b>	RING-092
<b>Heavy Duty:</b>	Standard
<b>Packaging Method:</b>	Loose Piece
<b>Material:</b>	Copper
<b>Finish:</b>	Tin

---

[Copyright](#) and [Privacy Statement](#)

Visit [Tyco International, Ltd.](#)

[Products](#) | [Catalog](#) | [Brands](#) | [Industries](#) | [Commerce](#) | [Supplier](#) | [Customer Service](#) | [About](#) | [Home](#)