

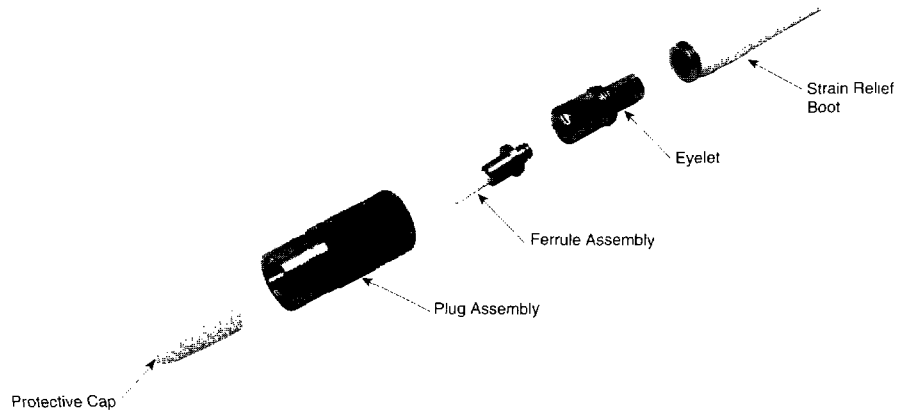
D4 Connectors

Product Facts

- Singlemode
- Terminates up to 3.00 mm dia. cable jacket
- Compatible with NEC-D4 and JIS connectors
- Zirconia ceramic ferrule
- Easily applied in the field

Performance Characteristics

Insertion Loss: 0.3 dB typical
Return Loss: <-40 dB typical



Hole Diameter (µm)	Part Numbers	
	Black Strain Relief	White Strain Relief
125	504770-3	504770-1
126	504770-4	504770-2

Notes:

1. 126 µm hole size connectors are recommended for most 125 µm fiber diameters.
- 125 µm hole size connectors are for experienced users where best performance is desired.

Tools and Accessories:

Termination kit	503746-4
Crimp Tool (included in termination kit)	58433-4
Polishing Tool (included in termination kit)	501867-1

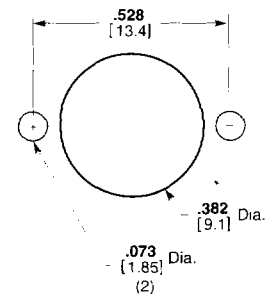
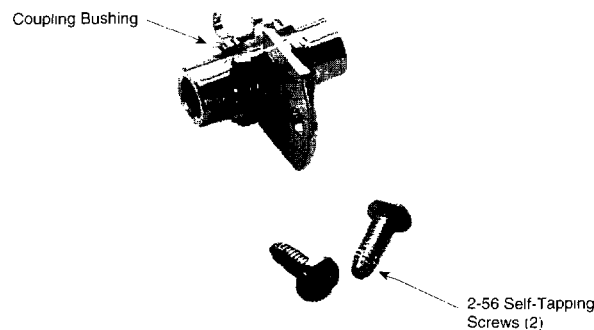
Receptacle

Part Number: 501509-1
(Ceramic Sleeve)

Part Number: 501509-2
(Metal Sleeve)

Product Facts

- Singlemode
- Kit includes dust covers (not shown)
- Nickel plated, die cast body



Recommended Panel Cutout