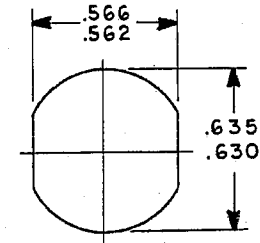


RED INDICATES ORIGINAL

P2 CONN TYPE	FIG NO	P1 CONN TYPE											
		PL 20	UPL 20	PL 40	UPL 40	PL 123	UPL 123	SCHEMATICS					
		K1	K2	K1	K2	K1	K2	K1	K2	K1	K2	K1	K2
DASH NUMBERS													
BJ95	1A	-1	-2	-3	-4	-5	-6	-7	-8	-9	-10	-11	-12
UBJ95	1A	-13	-14	-15	-16	-17	-18	-19	-20	-21	-22	-23	-24
BJ96	1B	-25	-26	-27	-28	-29	-30	-31	-32	-33	-34	-35	-36
UBJ96	2	-37	-38	-39	-40	-41	-42	-43	-44	-45	-46	-47	-48

DATA CONTAINED IN THIS DOCUMENT IS PROPRIETARY TO TROMPETER ELECTRONICS INC. AND SHALL NOT BE DISCLOSED, COPIED OR USED FOR PROCUREMENT OR MANUFACTURE WITHOUT EXPRESS WRITTEN PERMISSION.

REVISIONS		DESCRIPTION	DWN	APPROVED	DATE
REV	EO				
					12-06 SH 1



RECOMMENDED PANEL CUTOUT

INCH	MM
.203	5.16
.750	18.38
.800	20.32
2.557	64.95
2.582	65.58
2.612	66.34

- EXAMPLE OF COMPLETE MODEL NO:
AD-PL20-K1-BJ95
ADAPTER P1 CONN SCHEMATIC P2 CONN
- EXAMPLE OF COMPLETE PART NO:
12-06-1
DASH NO BASIC PART NO
- MAX PNL THK .203
- BETWEEN SERIES ADAPTER, MALE 50 Ω 75 OHM BNC/TNC/PUSH-ON PLUG TO FEMALE 50 Ω 75 OHM 'N' TYPE INSULATED AND NONINSULATED BULKHEAD MOUNT JACK
- FINISH: TFS-1A (NICKEL)
- ALL DIM ARE REF IN INCHES

FIG 1A (P1)
-1 SHOWN
FIG 1B (P1)
-29 SHOWN

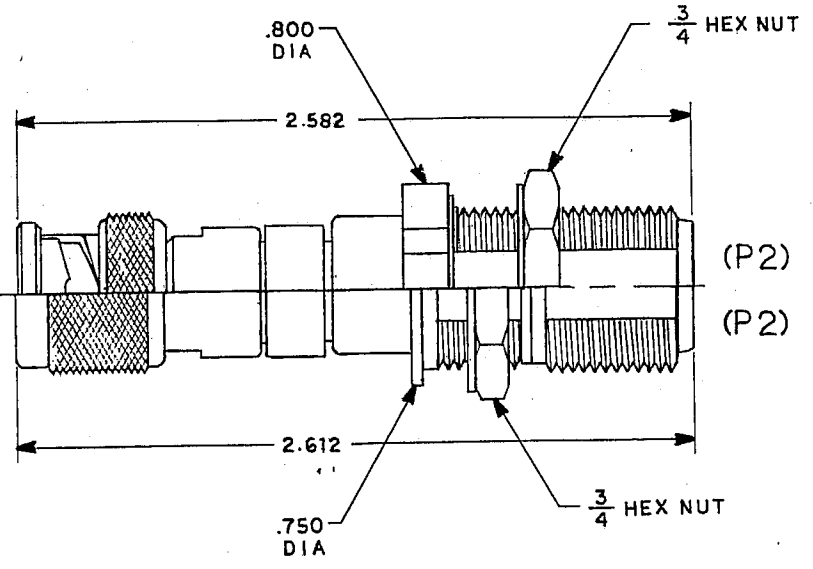
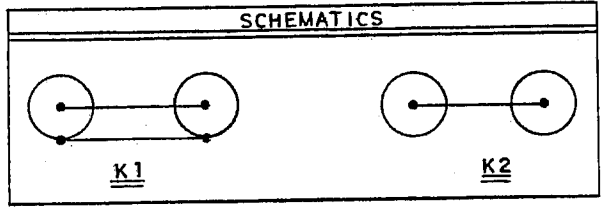
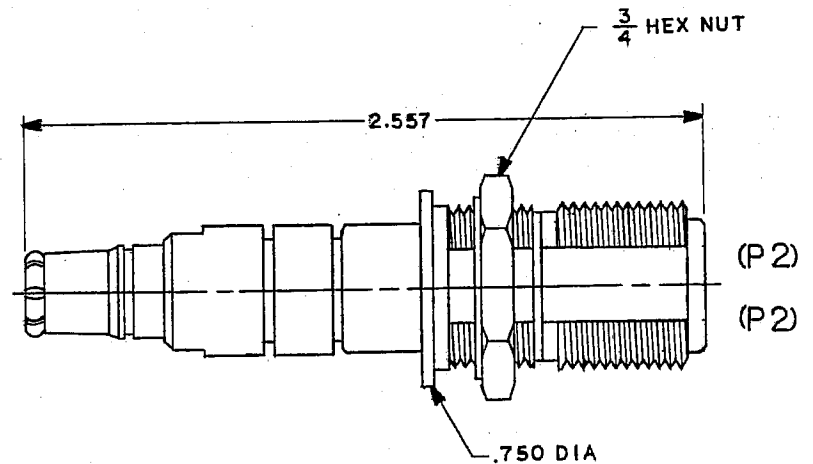


FIG 2 (P1)
-47 SHOWN



QTY	DESCRIPTION	PART NUMBER	ITEM
	TOL UNLESS SPECIFIED .XX ± .XXX ± .XXXX ± ANGLES ±	TROMPETER ELECTRONICS, INC.	ADAPTERS; MALE BNC / TNC SERIES TO FEMALE BULKHEAD MOUNT 'N' SERIES
DWN	MRH 6-10-85	MATERIAL	CODE IDENT
CHK	PC 7-17-85		14949
ENGR	Vh 7-18-85	DRAWING NO.	12-06
APPR	7-19-85	DATE	7-19-85
NEXT ASSY	SCALE 2/1	DATE	7-19-85
		SHEET 1 OF 2	