

**NUMERICAL INDEX  
TO INDUSTRIAL  
GRADE POWER  
TRANSISTORS**

88

DE

8254022 0000791 4

T-33-11

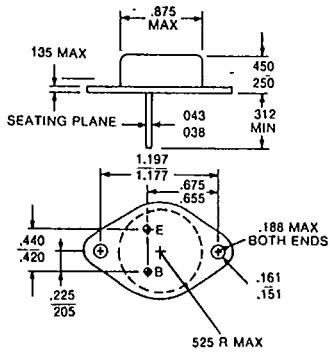
Type	Polarity	I <sub>c</sub> Max Amps	V <sub>CE0</sub> (SUS) Volts	Package
2N1015	NPN	7.5	30	TO-82
2N1015A	NPN	7.5	60	TO-82
2N1015B	NPN	7.5	100	TO-82
2N1015C	NPN	7.5	150	TO-82
2N1015D	NPN	7.5	200	TO-82
2N1015E	NPN	7.5	250	TO-82
2N1016	NPN	7.5	30	TO-82
2N1016A	NPN	7.5	60	TO-82
2N1016B	NPN	7.5	100	TO-82
2N1016C	NPN	7.5	150	TO-82
2N1016D	NPN	7.5	200	TO-82
2N1016E	NPN	7.5	250	TO-82
2N1047A	NPN	0.5	80	TO-57
2N1048A	NPN	0.5	120	TO-57
2N1049A	NPN	0.5	80	TO-57
2N1050A	NPN	0.5	120	TO-57
2N1052	NPN	0.2	180	TO-5
2N1053	NPN	0.2	200	TO-5
2N1054	NPN	0.2	115	TO-5
2N1067	NPN	0.5	30	TO-8
2N1068	NPN	1.5	30	TO-8
2N1069	NPN	4.0	45	TO-3
2N1070	NPN	4.0	45	TO-3
2N1116	NPN	0.8	60	TO-5
2N1117	NPN	0.8	60	TO-5
2N1210	NPN	5.0	60	TO-53
2N1211	NPN	5.0	80	TO-53
2N1479	NPN	1.5	40	TO-39/TO-5
2N1480	NPN	1.5	55	TO-39/TO-5
2N1481	NPN	1.5	40	TO-39/TO-5
2N1482	NPN	1.5	55	TO-39/TO-5
2N1483	NPN	3.0	40	TO-8
2N1484	NPN	3.0	55	TO-8
2N1485	NPN	3.0	40	TO-8
2N1486	NPN	3.0	55	TO-8
2N1487	NPN	6.0	40	TO-3
2N1488	NPN	6.0	55	TO-3
2N1489	NPN	6.0	40	TO-3
2N1490	NPN	6.0	55	TO-3
2N1620	NPN	5.0	100	TO-53
2N1700	NPN	1.0	40	TO-39/TO-5
2N1701	NPN	2.5	40	TO-8
2N1702	NPN	5.0	40	TO-3
2N1714	NPN	0.75	60	TO-5
2N1715	NPN	0.75	100	TO-5
2N1716	NPN	0.75	60	TO-5
2N1717	NPN	0.75	100	TO-5
2N1722	NPN	5.0	80	TO-53
2N1722A	NPN	7.5	120	TO-53
2N1723	NPN	7.5	80	TO-53
2N1724	NPN	5.0	80	TO-61
2N1724A	NPN	5.0	120	TO-61
2N1725	NPN	5.0	80	TO-61
2N1902	NPN	10.0	50	TO-61
2N1903	NPN	10.0	50	TO-61

Type	Polarity	I <sub>c</sub> Max Amps	V <sub>CE0</sub> (SUS) Volts	Package
2N1904	NPN	10.0	50	TO-61
2N1936	NPN	20.0	60	TO-63
2N1937	NPN	20.0	80	TO-63
2N2015	NPN	10.0	50	TO-36
2N2016	NPN	6.0	65	TO-36
2N2032	NPN	5.0	45	TO-53
2N2033	NPN	3.0	60	TO-5
2N2034	NPN	3.0	60	TO-5
2N2035	NPN	3.0	60	TO-8
2N2226	NPN	10.0	50	TO-82
2N2227	NPN	10.0	100	TO-82
2N2228	NPN	10.0	150	TO-82
2N2229	NPN	10.0	200	TO-82
2N2230	NPN	10.0	50	TO-82
2N2231	NPN	10.0	100	TO-82
2N2232	NPN	10.0	150	TO-82
2N2233	NPN	10.0	200	TO-82
2N2304	NPN	3.0	40	TO-8
2N2305	NPN	6.0	40	TO-3
2N2308	NPN	3.0	80	TO-8
2N2383	NPN	2.0	60	TO-53
2N2726	NPN	0.5	200	TO-5
2N2727	NPN	0.5	200	TO-5
2N2739	NPN	20.0	50	TO-82
2N2740	NPN	20.0	100	TO-82
2N2741	NPN	20.0	150	TO-82
2N2742	NPN	20.0	200	TO-82
2N2743	NPN	20.0	250	TO-82
2N2744	NPN	20.0	300	TO-82
2N2745	NPN	20.0	50	TO-82
2N2746	NPN	20.0	100	TO-82
2N2747	NPN	20.0	150	TO-82
2N2748	NPN	20.0	200	TO-82
2N2751	NPN	20.0	50	TO-82
2N2752	NPN	20.0	100	TO-82
2N2753	NPN	20.0	150	TO-82
2N2754	NPN	20.0	200	TO-82
2N2757	NPN	30.0	50	TO-63
2N2758	NPN	30.0	100	TO-63
2N2759	NPN	30.0	150	TO-63
2N2760	NPN	30.0	200	TO-63
2N2761	NPN	30.0	250	TO-63
2N2763	NPN	30.0	50	TO-63
2N2764	NPN	30.0	100	TO-63
2N2765	NPN	30.0	150	TO-63
2N2766	NPN	30.0	200	TO-63
2N2769	NPN	30.0	50	TO-63
2N2770	NPN	30.0	100	TO-63
2N2771	NPN	30.0	150	TO-63
2N2772	NPN	30.0	200	TO-63
2N2775	NPN	30.0	50	TO-63
2N2776	NPN	30.0	100	TO-63
2N2777	NPN	30.0	150	TO-63
2N2778	NPN	30.0	200	TO-63
2N2811	NPN	10.0	50	TO-61

For additional JEDEC 2NXXXX, see numerical index on page 9.

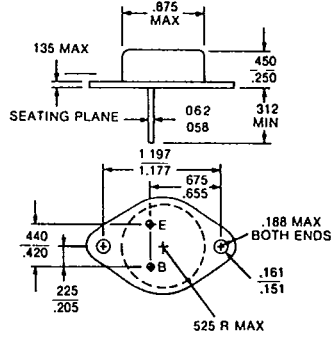
PACKAGE DESCRIPTIONS AND OUTLINE DRAWINGS

TO-3 PACKAGE



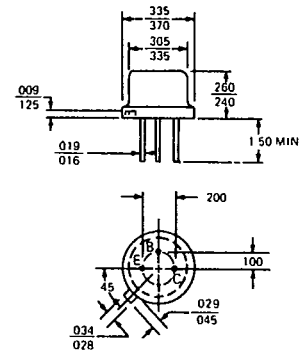
Collector is connected to case.

MODIFIED TO-3 PACKAGE  
(60 mil pins)



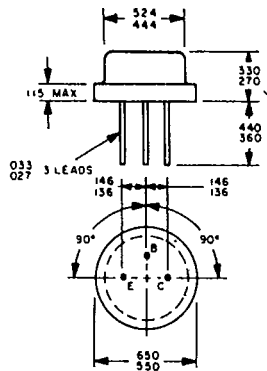
Collector is connected to case.

TO-5 PACKAGE



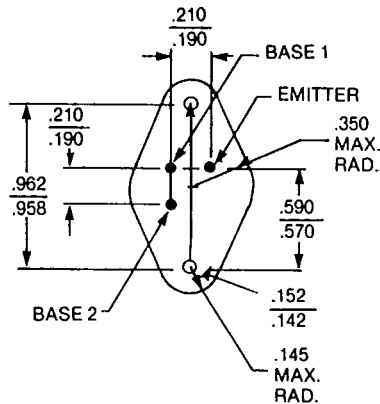
Collector is connected to case.

TO-8 PACKAGE



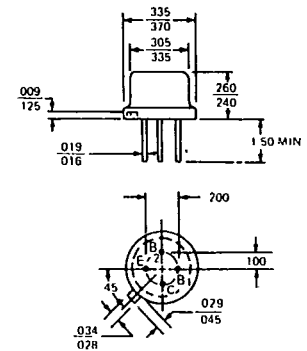
Collector is connected to case.

F-24 PACKAGE  
(3-LEADED TO-66)



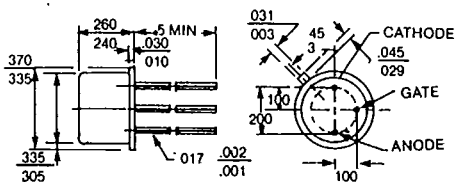
Collector is connected to case.

TO-33 PACKAGE



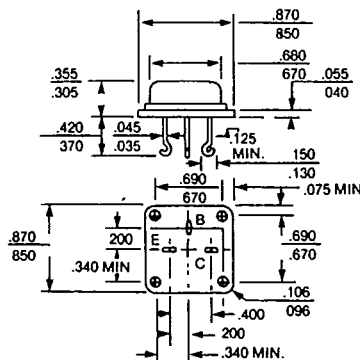
Collector is connected to case.

TO-39 PACKAGE



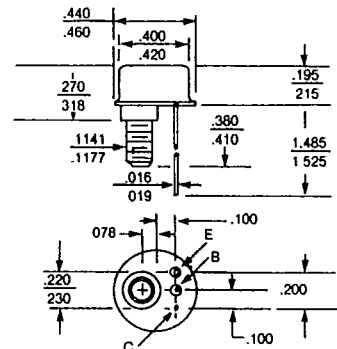
Collector is connected to case.

TO-53 PACKAGE



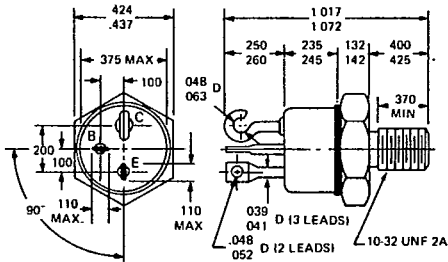
Collector is connected to case.

TO-57 PACKAGE



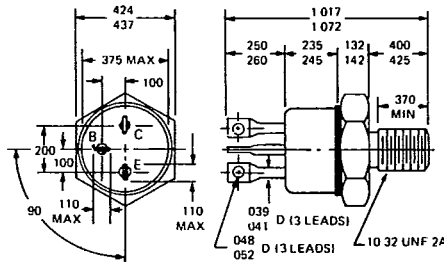
Collector is connected to case.

**TO-59 PACKAGE**



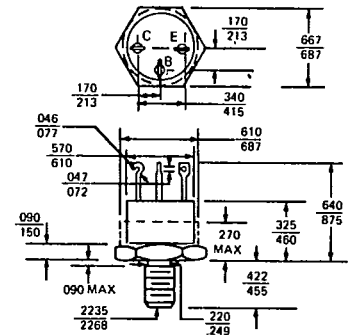
Collector is connected to case.

**TO-59 PACKAGE  
ISOLATED COLLECTOR**



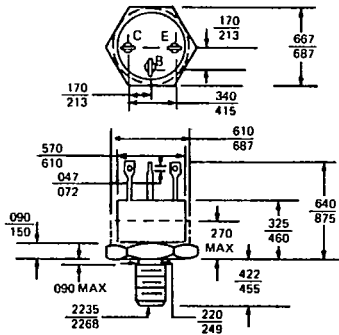
Collector is electrically isolated from case.

**TO-61 PACKAGE**



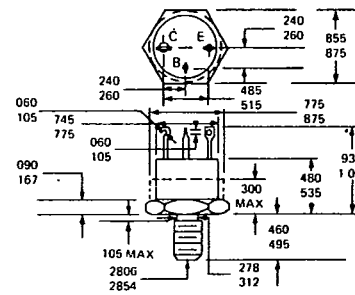
Collector is connected to case.

**TO-61 PACKAGE  
ISOLATED COLLECTOR**



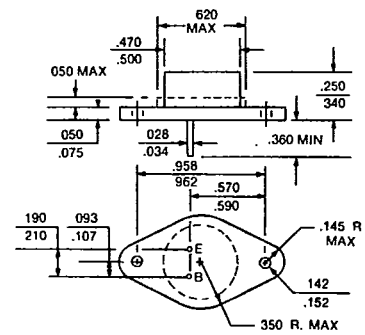
Collector is electrically isolated from case.

**TO-63 PACKAGE**



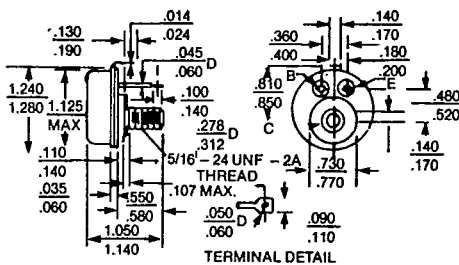
Collector is connected to case.

**TO-66 PACKAGE**



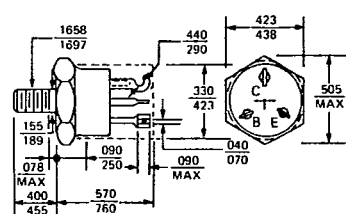
Collector is connected to case.

**TO-82 PACKAGE**



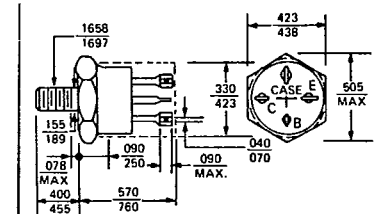
Collector is connected to case.

**TO-111 PACKAGE**



Collector is connected to case.

**TO-111 PACKAGE  
ISOLATED COLLECTOR**



Collector is electrically isolated from case.