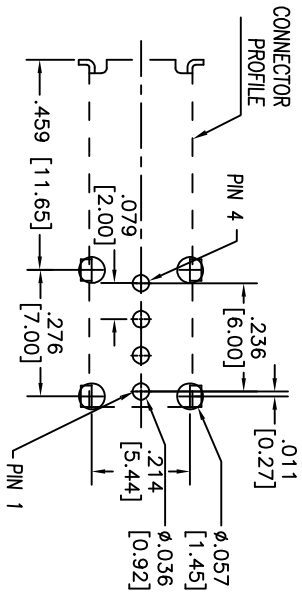
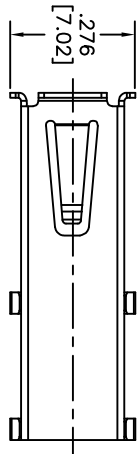
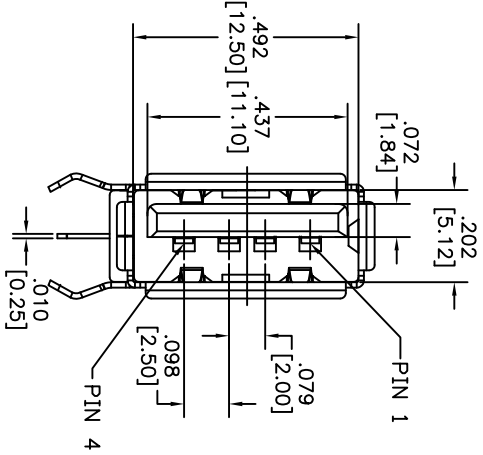
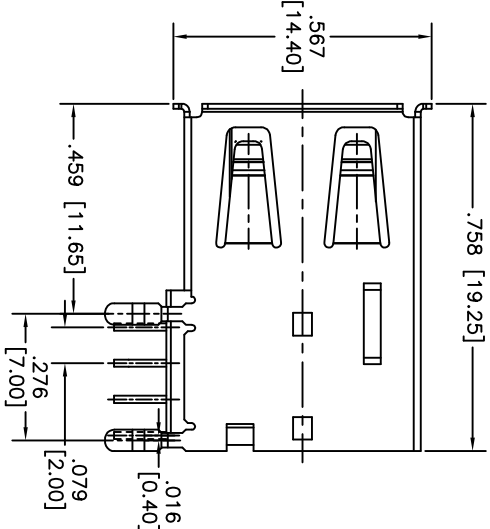
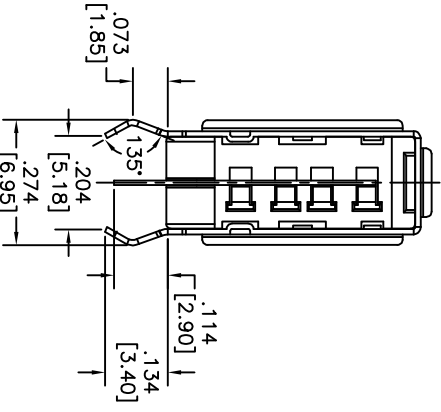


Rev	AWO #	Description	Date	Appr
-		RELEASED	11/16/10	

APPROVED: _____
 DATE: _____ TITLE: _____



RECOMMENDED PCB LAYOUT



SPECIFICATIONS:

Material: Insulator: PBT, glass reinforced, rated UL 94V-0
 Insulator color: Black
 Contacts: Copper Alloy
 Shell: Copper Alloy, Nickel plated
 Plating: Gold flash over Nickel underplate on contact area, Tin over Copper underplate on tails.
 Electrical: Tin over Copper underplate on tails.

Operating voltage: 30V AC max
 Current rating: 1 Amp max
 Contact resistance: 30 mohms max
 Insulation resistance: 1000 Mohms min
 Dielectric withstanding voltage: 750V AC Max.
 Temperature Rating: Operating temperature: -55°C to +85°C
 Environmental: Lead free, RoHS compliant
 Recommended soldering temp: 235°C for 5 seconds

ADAM TECH

909 Railway Avenue, Union, NJ 07083
 Phone: 908-687-5000 Fax: 908-687-5710

TITLE: USB, TYPE A, RIGHT ANGLE UPRIGHT THRU-HOLE, SELECTIVE GOLD

UNLESS OTHERWISE SPECIFIED ALL DIMENSIONS ARE INCHES [MM]		TOLERANCES: EXCEPT AS NOTED	
INCHES	HOLES	INCHES	HOLES
X ± .10	ØX ± .10	.XX ± .020	ØXX ± .015
.XXX ± .015	ØXXX ± .010	APPROVALS	
DRAWN AY 11/16/10		DATE	
CHECKED AH 11/16/10		DATE	
APPROVED		DATE	

SIZE X	PART NO. USB-A-S-RU-S1	REV.
REF: S00120T	SCALE: NTS	SHEET 1 OF 1

