



Wire & Cable > Primary Wire



Primary Wire Cable Type: **Spec 99M**

Primary Wire Insulation Material: **Radiation-Crosslinked, Modified Polyester**

Primary Wire Voltage Rating: **750 VAC**

Primary Wire Conductor Material: **Tin Plated Copper**

Operating Temperature Range: **-55 – 120 °C**

## Features

### Product Type Features

Primary Wire Cable Type	Spec 99M
-------------------------	----------

### Electrical Characteristics

Primary Wire Voltage Rating	750 VAC
-----------------------------	---------

### Body Features

Primary Wire Insulation Material	Radiation-Crosslinked, Modified Polyester
Primary Wire Conductor Material	Tin Plated Copper

### Usage Conditions

Operating Temperature Range	-55 – 120 °C
-----------------------------	--------------

## Product Compliance

[For compliance documentation, visit the product page on TE.com>](#)

EU RoHS Directive 2011/65/EU	Compliant
EU ELV Directive 2000/53/EC	Compliant
China RoHS 2 Directive MIIT Order No 32, 2016	No Restricted Materials Above Threshold
EU REACH Regulation (EC) No. 1907/2006	Current ECHA Candidate List: JUN 2020 (209) Candidate List Declared Against: JUN 2020 (209) Does not contain REACH SVHC

Halogen Content	Out of Scope - excluded from Halogen requirements
-----------------	---

Solder Process Capability	Not applicable for solder process capability
---------------------------	--

**Product Compliance Disclaimer**

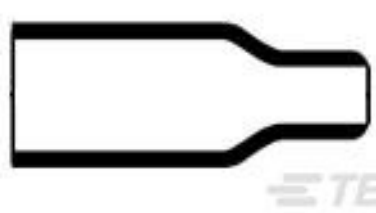
This information is provided based on reasonable inquiry of our suppliers and represents our current actual knowledge based on the information they provided. This information is subject to change. The part numbers that TE has identified as EU RoHS compliant have a maximum concentration of 0.1% by weight in homogenous materials for lead, hexavalent chromium, mercury, PBB, PBDE, DBP, BBP, DEHP, DIBP, and 0.01% for cadmium, or qualify for an exemption to these limits as defined in the Annexes of Directive 2011/65/EU (RoHS2). Finished electrical and electronic equipment products will be CE marked as required by Directive 2011/65/EU. Components may not be CE marked. Additionally, the part numbers that TE has identified as EU ELV compliant have a maximum concentration of 0.1% by weight in homogenous materials for lead, hexavalent chromium, and mercury, and 0.01% for cadmium, or qualify for an exemption to these limits as defined in the Annexes of Directive 2000/53/EC (ELV). Regarding the REACH Regulation, the information TE provides on SVHC in articles for this part number is based on the latest European Chemicals Agency (ECHA) 'Guidance on requirements for substances in articles' posted at this URL: <https://echa.europa.eu/guidance-documents/guidance-on-reach>

## Compatible Parts



TE Model / Part # 650074-000  
D-436-36


## Customers Also Bought



TE Model / Part #800731-000  
202A132-100-0



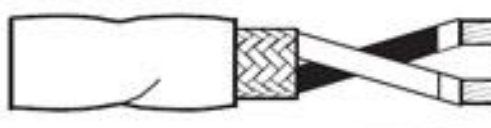
TE Model / Part #695362-000  
W-063-07



TE Model / Part #HC2245  
TAPER PIN WG




TE Model / Part #4714093001  
99M0121-20-2/9



TE Model / Part #5459353001  
99M1121-12-2/6-0



TE Model / Part #2657273002  
44A0811-10-45



TE Model / Part #716945-000  
202A163-100-0



TE Model / Part #A101463001  
99M0131-24-2/5/9



## Documents

### Product Drawings

[99M1111-24-2L-0](#)

English

### Datasheets & Catalog Pages

[1654025\\_Sec9\\_Type99M](#)

English

[Raychem Wire and Cable Quick Reference Guide](#)

English