

# TECHNICAL MANUAL

## LSI53C876/876E PCI to Dual Channel SCSI Multifunction Controller

*Version 2.1*

**March 2001**

---

This document contains proprietary information of LSI Logic Corporation. The information contained herein is not to be used by or disclosed to third parties without the express written permission of an officer of LSI Logic Corporation.

LSI Logic products are not intended for use in life-support appliances, devices, or systems. Use of any LSI Logic product in such applications without written consent of the appropriate LSI Logic officer is prohibited.

Document DB14-000167-00, First Edition (March 2001)

This document describes the LSI Logic LSI53C876/876E PCI to Dual Channel SCSI Multifunction Controller and will remain the official reference source for all revisions/releases of this product until rescinded by an update.

**To receive product literature, visit us at <http://www.lsillogic.com>.**

LSI Logic Corporation reserves the right to make changes to any products herein at any time without notice. LSI Logic does not assume any responsibility or liability arising out of the application or use of any product described herein, except as expressly agreed to in writing by LSI Logic; nor does the purchase or use of a product from LSI Logic convey a license under any patent rights, copyrights, trademark rights, or any other of the intellectual property rights of LSI Logic or third parties.

Copyright © 1996–2001 by LSI Logic Corporation. All rights reserved.

#### TRADEMARK ACKNOWLEDGMENT

The LSI Logic logo design, TolerANT, SDMS, SYMplicity, and SCRIPTS are registered trademarks or trademarks of LSI Logic Corporation. All other brand and product names may be trademarks of their respective companies.

# Preface

---

This book is the primary reference and technical manual for the LSI Logic LSI53C876/876E PCI to Dual Channel SCSI Multifunction Controller. It contains a complete functional description for the product and includes complete physical and electrical specifications.

This technical manual assumes the user is familiar with the current and proposed standards for SCSI and PCI. For additional background information on these topics, please refer to the list of reference materials provided in the [Related Publications](#) list.

---

## Audience

This manual assumes some prior knowledge of current and proposed SCSI and PCI standards.

---

## Organization

This document has the following chapters and appendixes:

- [Chapter 1, General Description](#), includes general information about the LSI53C876/876E.
- [Chapter 2, Functional Description](#), describes the main functional areas of the chip in more detail, including the interfaces to the SCSI bus and external memory.
- [Chapter 3, Signal Descriptions](#), contains pin diagrams and signal descriptions.
- [Chapter 4, Registers](#), describes each bit in the operating registers, and is organized by register address.
- [Chapter 5, SCSI SCRIPTS Instruction Set](#), defines the SCSI SCRIPTS instructions supported by the LSI53C876/876E.

- [Chapter 6, Electrical Characteristics](#), contains the electrical characteristics and AC timing diagrams.
- [Appendix A, Register Summary](#), is a register summary.
- [Appendix B, External Memory Interface Diagram Examples](#), contains several example interface drawings for connecting the LSI53C876 to external ROMs.

---

## Related Publications

For background please contact:

### **ANSI**

11 West 42nd Street  
New York, NY 10036  
(212) 642-4900

Ask for document number X3.131-199X (SCSI-2)

### **Global Engineering Documents**

15 Inverness Way East  
Englewood, CO 80112  
(800) 854-7179 or (303) 397-7956 (outside U.S.) FAX (303) 397-2740  
Ask for document number X3.131-1994 (SCSI-2) or X3.253  
(*SCSI-3 Parallel Interface*)

### **ENDL Publications**

14426 Black Walnut Court  
Saratoga, CA 95070  
(408) 867-6642

Document names: *SCSI Bench Reference*, *SCSI Encyclopedia*,  
*SCSI Tutor*

### **Prentice Hall**

113 Sylvan Avenue  
Englewood Cliffs, NJ 07632  
(800) 947-7700

Ask for document number ISBN 0-13-796855-8, *SCSI: Understanding the Small Computer System Interface*

### **LSI Logic World Wide Web Home Page**

[www.lsil.com](http://www.lsil.com)

## PCI Special Interest Group

2575 N. E. Katherine

Hillsboro, OR 97214

(800) 433-5177; (503) 693-6232 (International); FAX (503) 693-8344

*SCSI SCRIPTS™ Processors Programming Guide*, Order Number  
S14044.A

---

### Conventions Used in This Manual

The word *assert* means to drive a signal true or active. The word *deassert* means to drive a signal false or inactive.

Hexadecimal numbers are indicated by the prefix “0x” —for example, 0x32CF. Binary numbers are indicated by the prefix “0b” —for example, 0b0011.0010.1100.1111.

---

### Revision Record

Revision	Date	Remarks
1.0	9/96	Preliminary technical manual.
2.0	11/97	Revised technical manual.
2.1	3/01	All product names changed from SYM to LSI.



# Contents

---

<b>Chapter 1</b>	<b>General Description</b>	
1.1	Wide Ultra SCSI Benefits	1-4
1.2	TolerANT <sup>®</sup> Technology	1-4
1.3	LSI53C876 Benefits	1-5
	1.3.1 PCI Performance	1-5
	1.3.2 SCSI Performance	1-5
	1.3.3 Testability	1-6
	1.3.4 Integration	1-7
	1.3.5 Reliability	1-7

---

<b>Chapter 2</b>	<b>Functional Description</b>	
2.1	PCI Functional Description	2-3
	2.1.1 PCI Addressing	2-3
	2.1.2 PCI Bus Commands and Functions Supported	2-4
	2.1.3 Internal Arbiter	2-10
	2.1.4 PCI Cache Mode	2-11
2.2	SCSI Functional Description	2-13
	2.2.1 Two SCSI Controllers	2-13
	2.2.2 SCRIPTS Processor	2-13
	2.2.3 JTAG Boundary Scan Testing	2-16
	2.2.4 SCSI Loopback Mode	2-17
	2.2.5 Parity Options	2-17
	2.2.6 DMA FIFO	2-20
	2.2.7 SCSI Bus Interface	2-24
	2.2.8 Synchronous Operation	2-30
	2.2.9 Designing a Wide Ultra SCSI System	2-32
	2.2.10 Interrupt Handling	2-33
	2.2.11 Chained Block Moves	2-40
2.3	Parallel ROM Interface	2-43

2.4	Serial EEPROM Interface	2-45
2.4.1	Mode A Operation	2-45
2.4.2	Mode B Operation	2-46
2.4.3	Mode C Operation	2-46
2.4.4	Mode D Operation	2-48
2.5	Power Management	2-48
2.5.1	Power State D0	2-49
2.5.2	Power State D1	2-49
2.5.3	Power State D2	2-49
2.5.4	Power State D3	2-50

---

## Chapter 3

### Signal Descriptions

3.1	PCI Interface Signals	3-6
3.1.1	System Signals	3-6
3.1.2	Address and Data Signals	3-7
3.1.3	Interface Control Signals	3-8
3.1.4	Arbitration Signals	3-9
3.1.5	Error Reporting Signals	3-9
3.1.6	PCI Interrupt Signals	3-10
3.1.7	GPIO Interface Signals	3-11
3.2	SCSI Bus Interface Signals	3-13
3.2.1	SCSI Bus Interface Signal	3-13
3.2.2	SCSI Bus Interface	3-14
3.3	ROM/Flash Interface Signals	3-18
3.4	Test Interface Signals	3-19
3.5	Power and Ground Signals	3-20
3.5.1	Isolated Power Supplies	3-21
3.6	MAD Bus Programming	3-21

---

## Chapter 4

### Registers

4.1	PCI Configuration Registers	4-1
4.2	SCSI Registers	4-20

---

## Chapter 5

### SCSI SCRIPTS Instruction Set

5.1	Low Level Register Interface Mode	5-1
5.2	High Level SCSI SCRIPTS Mode	5-2
5.2.1	Sample Operation	5-3



5.3	Block Move Instruction	5-6
5.3.1	First Dword	5-6
5.3.2	Second Dword	5-13
5.4	I/O Instruction	5-13
5.4.1	First Dword	5-13
5.4.2	Second Dword	5-22
5.5	Read/Write Instructions	5-22
5.5.1	First Dword	5-22
5.5.2	Second Dword	5-24
5.5.3	Read-Modify-Write Cycles	5-24
5.5.4	Move To/From SFBR Cycles	5-25
5.6	Transfer Control Instructions	5-27
5.6.1	First Dword	5-27
5.6.2	Second Dword	5-34
5.7	Memory Move Instructions	5-34
5.7.1	Read/Write System Memory from SCRIPTS	5-36
5.7.2	Second Dword	5-36
5.7.3	Third Dword	5-36
5.8	Load and Store Instructions	5-38
5.8.1	First Dword	5-39
5.8.2	Second Dword	5-40

---

## **Chapter 6**

### **Electrical Characteristics**

6.1	DC Characteristics	6-1
6.2	3.3 V PCI DC Characteristics	6-7
6.3	TolerANT Technology Electrical Characteristics	6-8
6.4	AC Characteristics	6-12
6.4.1	PCI and External Memory Interface Timings	6-15
6.4.2	PCI and External Memory Interface Timing	6-54
6.4.3	SCSI Interface Timing	6-55
6.5	Package Diagrams	6-60

---

## **Appendix A**

### **Register Summary**

---

## **Appendix B**

### **External Memory Interface Diagram Examples**

---

## Index

---

### Customer Feedback

---

#### Figures

1.1	Typical LSI53C876 System Application	1-2
1.2	Typical LSI53C876 Board Application	1-3
2.1	LSI53C876 Block Diagram	2-2
2.2	Parity Checking/Generation	2-20
2.3	DMA FIFO Sections	2-20
2.4	LSI53C876 Host Interface SCSI Data Paths	2-24
2.5	LSI53C876 Differential Wiring Diagram	2-27
2.6	Regulated Termination	2-29
2.7	Determining the Synchronous Transfer Rate	2-32
2.8	Block Move and Chained Block Move Instructions	2-40
3.1	LSI53C876 208-Pin PQFP Diagram	3-2
3.2	LSI53C876 256-Ball BGA Diagram (Top View)	3-3
3.3	LSI53C876 Functional Signal Grouping	3-4
5.1	SCRIPTS Overview	5-5
5.2	Block Move Instruction Register	5-8
5.3	I/O Instruction Register	5-16
5.4	Read/Write Instruction Register	5-23
5.5	Transfer Control Instruction	5-29
5.6	Memory Move Instruction	5-37
5.7	Load and Store Instruction Format	5-41
6.1	Rise and Fall Time Test Conditions	6-10
6.2	SCSI Input Filtering	6-10
6.3	Hysteresis of SCSI Receivers	6-10
6.4	Input Current as a Function of Input Voltage	6-11
6.5	Output Current as a Function of Output Voltage	6-11
6.6	Clock Timing	6-12
6.7	Reset Input	6-13
6.8	Interrupt Output	6-14
6.9	Configuration Register Read	6-17
6.10	Configuration Register Write	6-18
6.11	Target Read (Not From External Memory)	6-19

6.12	Target Write (Not From External Memory)	6-20
6.13	Target Read, from External Memory	6-22
6.14	Target Write, from External Memory	6-26
6.15	Opcode Fetch, Nonburst	6-29
6.16	Opcode Fetch, Burst	6-31
6.17	Back-to-Back Read	6-33
6.18	Back-to-Back Write	6-35
6.19	Burst Read	6-38
6.20	Burst Write	6-42
6.21	Read Cycle, Normal/Fast Memory ( $\geq 128$ Kbytes), Single Byte Access	6-44
6.22	Write Cycle, Normal/Fast Memory ( $\geq 128$ Kbytes), Single Byte Access	6-45
6.23	Read Cycle, Normal/Fast Memory ( $\geq 128$ Kbyte), Multiple Byte Access	6-46
6.24	Write Cycle, Normal/Fast Memory ( $\geq 128$ Kbyte), Multiple Byte Access	6-48
6.25	Read Cycle, Slow Memory ( $\geq 128$ Kbytes)	6-50
6.26	Write Cycle, Slow Memory ( $\geq 128$ Kbytes)	6-51
6.28	Read Cycle, 16 Kbytes ROM	6-52
6.27	Read Cycle, 16 Kbytes ROM	6-52
6.29	Write Cycle, 16 Kbytes ROM	6-53
6.30	Initiator Asynchronous Send	6-55
6.31	Initiator Asynchronous Receive	6-56
6.32	Target Asynchronous Send	6-57
6.33	Target Asynchronous Receive	6-57
6.34	Initiator and Target Synchronous Transfers	6-58
6.35	256-pin PBGA (GU) Mechanical Drawing	6-61
6.36	208-pin PQFP (P9) Mechanical Drawing (Sheet 1 of 2)	6-62
B.1	64 Kbyte Interface with 200 ns Memory	B-1
B.2	64 Kbyte Interface with 150 ns Memory	B-2
B.3	256 Kbyte Interface with 150 ns Memory	B-3
B.4	512 Kbyte Interface with 150 ns Memory	B-4

---

## Tables

2.1	PCI Bus Commands and Encoding Types	2-4
2.2	Bits Used for Parity Control and Generation	2-18
2.3	SCSI Parity Control	2-19

2.4	SCSI Parity Errors and Interrupts	2-19
2.5	Differential Mode	2-25
2.6	Parallel ROM Support	2-44
2.7	Mode A Serial EEPROM Data Format	2-46
2.8	Mode C Serial EEPROM Data Format	2-47
2.9	Power States	2-48
3.1	System Signals	3-6
3.2	Address and Data Signals	3-7
3.3	Interface Control Signals	3-8
3.4	Arbitration Signals	3-9
3.5	Error Reporting Signals	3-9
3.6	PCI Interrupt Signals	3-10
3.7	SCSI GPIO Function A Signals	3-11
3.8	SCSI GPIO Function B Signals	3-12
3.9	SCSI Bus Interface Signal	3-13
3.10	SCSI Function A Interface Signals	3-14
3.11	SCSI Function B Interface Signals	3-15
3.12	SCSI Function A Differential Control Signals	3-16
3.13	SCSI Function B Differential Control Signals	3-17
3.14	ROM/Flash Interface Signals	3-18
3.15	Test Interface Signals	3-19
3.16	Power and Ground Signals	3-20
3.17	Decode of MAD Pins	3-22
4.1	PCI to SCSI Configuration Register Map	4-2
4.2	LSI53C876 SCSI Register Address Map	4-21
4.3	Examples of Synchronous Transfer Periods for SCSI-1 Transfer Rates	4-35
4.4	Example Transfer Periods for Fast SCSI and Wide Ultra SCSI Transfer Rates	4-35
4.5	Maximum Synchronous Offset	4-36
4.6	SCSI Synchronous Data FIFO Word Count	4-46
5.1	SCRIPTS Instructions	5-3
5.2	Read/Write Instructions	5-25
6.1	Absolute Maximum Stress Ratings	6-2
6.2	Operating Conditions	6-2
6.3	SCSI Signals—SD[15:0]/, SDP[1:0]/, SREQ/, SACK/	6-3
6.4	SCSI Signals—SMMSG, SI_O/, SC_D/, SATN/, SBSY/, SSEL/, SRST/	6-3

6.5	Input Signals—CLK, SCLK, GNT/, IDSEL, RST/, TESTIN, DIFFSENS	6-3
6.6	Capacitance	6-4
6.7	Output Signals—INTA/, INTB/	6-4
6.8	Output Signals—SDIR[15:0], SDIRP0, SDIRP1, BSYDIR, SELDIR, RSTDIR, TGS, IGS, MAS/[1:0], MCE/, MOE/_TESTOUT, MWE/	6-4
6.9	Output Signal—REQ/	6-5
6.10	Output Signal—SERR/	6-5
6.11	Bidirectional Signals—AD[31:0], C_BE/[3:0], FRAME/, IRDY/, TRDY/, DEVSEL/, STOP/, PERR/, PAR	6-5
6.12	Bidirectional Signals—GPIO0_FETCH/, GPIO1_MASTER/, GPIO2, GPIO3, GPIO4	6-6
6.13	Bidirectional Signals—MAD[7:0]	6-6
6.14	Input Signals—TDI, TMS, TCK	6-6
6.15	Output Signal—TDO	6-7
6.16	Bidirectional Signals—AD[31:0], C_BE[3:0]/, FRAME/, IRDY/, TRDY/, DEVSEL/, STOP/, PERR/, PAR	6-7
6.17	Input Signals—CLK, GNT/, IDSEL, RST/,	6-7
6.18	Output Signals—INTA/, INTB, REQ/	6-8
6.19	Output Signal—SERR/	6-8
6.20	TolerANT Technology Electrical Characteristics	6-9
6.21	Clock Timing	6-12
6.22	Reset Input	6-13
6.23	Interrupt Output	6-14
6.24	3.3 V PCI Timing	6-16
6.25	Configuration Register Read	6-17
6.26	Configuration Register Write	6-18
6.27	Target Read (Not From External Memory)	6-19
6.28	Target Write (Not From External Memory)	6-20
6.29	Target Read (From External Memory)	6-21
6.30	Target Write (From External Memory)	6-25
6.31	Opcode Fetch, Nonburst	6-28
6.32	Opcode Fetch, Burst	6-30
6.33	Back-to-Back Read	6-32
6.34	Back-to-Back Write	6-34
6.35	Burst Read	6-37
6.36	Burst Write	6-41

6.37	Read Cycle, Normal/Fast Memory ( $\geq 128$ Kbytes), Single Byte Access	6-44
6.38	Write Cycle, Normal/Fast Memory ( $\geq 128$ Kbytes), Single Byte Access	6-45
6.39	Read Cycle, Slow Memory ( $\geq 128$ Kbytes)	6-50
6.40	Write Cycle, Slow Memory ( $\geq 128$ Kbytes)	6-51
6.41	Write Cycle, 16 Kbytes ROM	6-53
6.42	LSI53C876 PCI and External Memory Interface Timing	6-54
6.43	Initiator Asynchronous Send	6-55
6.44	Initiator Asynchronous Receive	6-56
6.45	Target Asynchronous Send	6-57
6.46	Target Asynchronous Receive	6-57
6.47	SCSI-1 Transfers (SE, 5.0 Mbytes/s)	6-58
6.48	SCSI-2 Fast Transfers (10.0 Mbytes/s (8-Bit Transfers) or 20.0 Mbytes/s (16-Bit Transfers), 40 MHz Clock	6-59
6.49	SCSI-2 Fast-20 SE Transfers (20.0 Mbytes/s (8-Bit Transfers) or 40.0 Mbytes/s (16-Bit Transfers), 80 MHz Clock) with Clock Doubled Internally	6-59
A.1	Configuration Registers	A-1
A.2	SCSI Registers	A-2

# Chapter 1

## General Description

---

This chapter includes the following sections:

- [Section 1.1, “Wide Ultra SCSI Benefits”](#)
- [Section 1.2, “TolerANT<sup>®</sup> Technology”](#)
- [Section 1.3, “LSI53C876 Benefits”](#)

This manual combines information for the LSI53C876 and LSI53C876E, which are a PCI to dual SCSI controllers. The LSI53C876E is a minor modification of the existing LSI53C876 product. It has all of the functionality of the LSI53C876 with the addition of features to enable it to comply with the Microsoft PC 97 Hardware Design Guide. Specifically, the LSI53C876E has a Power Management Support enhancement. Because there are only slight differences between them, the LSI53C876 and LSI53C876E are referred to as LSI53C876 throughout this technical manual. Only the new enhancements are referred to as LSI53C876E.

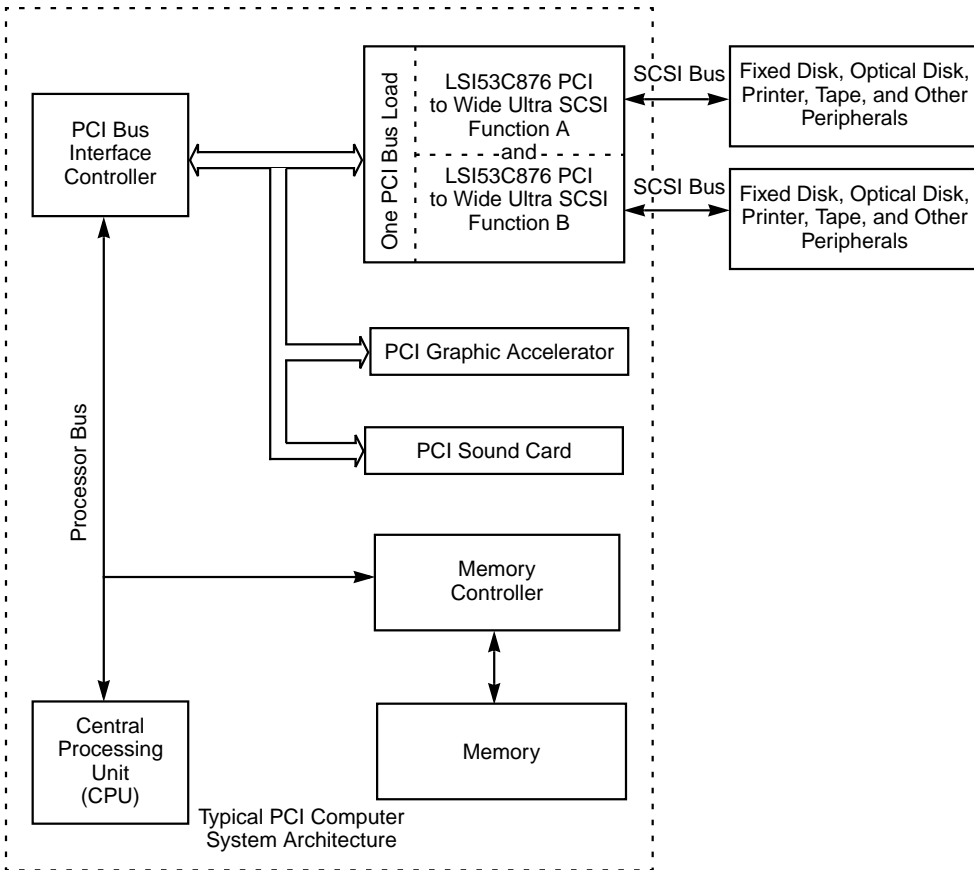
The LSI53C876 PCI to Dual Channel SCSI Multifunction Controller is a PCI 2.1 compliant device. It implements two LSI53C875 PCI to Ultra SCSI controllers on a single chip. The LSI53C876 presents only one load to the PCI bus, and it uses one REQ/ - GNT/ signal pair in arbitration for PCI bus mastership.

Two packaging options are available. The 208-pin Plastic Quad Flat Pack (PQFP) provides a differential Single-Ended (SE) SCSI interface on SCSI Function A and an SE interface on SCSI Function B. The 256-bump Ball Grid Array (BGA) provides a differential SE interface on both SCSI Function A and SCSI Function B.

The LSI53C876 has a local memory bus for storage of the device's BIOS ROM in Flash memory or standard EPROMs. The LSI53C876 supports programming of local Flash memory for updates to BIOS or SCRIPTS™ programs.

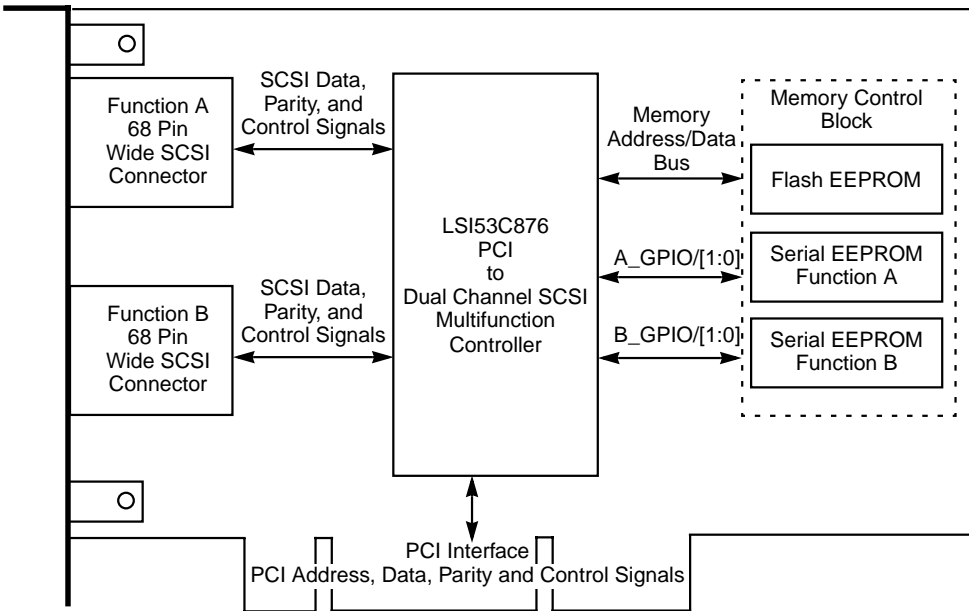
The LSI53C876 reduces the requirement for system BIOS support and PCI bus bandwidth. It also supports the Wide Ultra SCSI standard. The LSI53C876 performs Wide Ultra SCSI transfers or Fast SCSI transfers, and it improves performance by optimizing PCI bus utilization. [Figure 1.1](#) illustrates a typical LSI53C876 system and [Figure 1.2](#) illustrates a typical LSI53C876 board application.

**Figure 1.1 Typical LSI53C876 System Application**





**Figure 1.2 Typical LSI53C876 Board Application**



The LSI53C876 integrates a high-performance SCSI core, a PCI bus master DMA core, and the LSI Logic SCSI SCRIPTS processor to meet the flexibility requirements of SCSI, Fast SCSI, and Wide Ultra SCSI standards. It is designed to implement multithreaded I/O algorithms with a minimum of processor intervention, solving the protocol overhead problems of previous intelligent and nonintelligent controller designs.

The LSI53C876 is fully supported by the LSI Logic Storage Device Management System (SDMS™), a software package that supports the Advanced SCSI Protocol Interface (ASPI). SDMS software provides BIOS and driver support for hard disk, tape, removable media products, and CD-ROM under the major PC operating systems.

In addition, LSI Logic provides a SYMplcity™ I<sub>2</sub>O Hardware Device Module for the LSI53C876 to support the device in I<sub>2</sub>O-ready systems. The SYMplcity I<sub>2</sub>O architecture is compliant with the I<sub>2</sub>O specification. I<sub>2</sub>O is a split driver architecture that increases system efficiency by transferring I/O intensive processing tasks from the host CPU to intelligent peripheral platforms.

---

## 1.1 Wide Ultra SCSI Benefits

Wide Ultra SCSI is an extension of the SCSI-3 family of standards that expands the bandwidth of the SCSI bus and allows faster synchronous SCSI transfer rates. When enabled, Wide Ultra SCSI performs 40 megatransfers per second during an I/O operation, resulting in approximately twice the synchronous transfer rates of Fast SCSI. The LSI53C876 can perform Ultra SCSI synchronous transfers at 20 Mbytes/s. It can also perform Wide Ultra SCSI transfers at 40 Mbytes/s. This advantage is most noticeable in heavily loaded systems or large block size requirements, such as video on-demand and image processing.

An advantage of Wide Ultra SCSI is that it significantly improves SCSI bandwidth while preserving existing hardware and software investments. The LSI53C876 is compatible with all existing LSI53C875 software.

---

## 1.2 TolerANT<sup>®</sup> Technology

The LSI53C876 features TolerANT technology, which includes active negation on the SCSI drivers and input signal filtering on the SCSI receivers. Active negation actively drives the SCSI Request, Acknowledge, Data, and Parity signals HIGH rather than allowing them to be passively pulled up by terminators. Active negation is enabled by setting bit 7 in the [SCSI Test Three \(STEST3\)](#) register.

TolerANT receiver technology improves data integrity in unreliable cabling environments where other devices would be subject to data corruption. TolerANT receivers filter the SCSI bus signals to eliminate unwanted transitions, without the long signal delay associated with RC-type input filters. This improved driver and receiver technology helps eliminate double clocking of data, the single biggest reliability issue with SCSI operations. TolerANT input signal filtering is a built in feature of the LSI53C876 and all LSI Logic Fast SCSI and Ultra SCSI devices.

The benefits of TolerANT technology include increased immunity to noise on the deasserting signal edge, better performance due to balanced duty cycles, and improved Fast SCSI transfer rates. In addition, TolerANT SCSI devices do not cause glitches on the SCSI bus at power-up or

power-down, so other devices on the bus are also protected from data corruption. TolerANT technology is compatible with both the Alternative One and Alternative Two termination schemes proposed by the American National Standards Institute (ANSI).

---

## 1.3 LSI53C876 Benefits

This section provides an overview of the LSI53C876 features and benefits. It contains information on [PCI Performance](#), [SCSI Performance](#), [Testability](#), [Integration](#), and [Reliability](#).

### 1.3.1 PCI Performance

To improve SCSI performance, the LSI53C876:

- Complies with PCI 2.1 specification
- Presents a single electrical load to the PCI bus (True PCI multifunction device).
- Supports 32-bit word data bursts with variable burst lengths of 2, 4, 8, 16, 32, 64 or 128 Dwords across the PCI bus.
- Prefetches up to 8 Dwords of SCSI SCRIPTS.
- Bursts SCSI SCRIPTS opcode fetches across the PCI bus.
- Performs zero wait-state bus master data bursts up to 132 Mbytes/s (@ 33 MHz).
- Supports PCI Cache Line Size register.
- Supports PCI Write and Invalidate, Read Line, and Read Multiple commands.
- Complies with PCI Bus Power Management Specification (LSI53C876E) Revision 1.0.

### 1.3.2 SCSI Performance

To improve SCSI performance, the LSI53C876:

- Includes 4 Kbytes internal RAM on each channel for SCRIPTS instruction storage.
- Wide Ultra SCSI SE Interface.

- Performs Wide Ultra SCSI synchronous transfers as fast as 40 Mbytes/s.
- Supports 536-byte DMA FIFO for more effective PCI and SCSI bus utilization.
- Supports 16 levels of SCSI synchronous offset.
- Supports variable block size and scatter/gather data transfers
- Minimizes SCSI I/O start latency.
- Performs complex bus sequences without interrupts, including restore data pointers.
- Reduces interrupt service routine overhead through a unique interrupt status reporting method.
- Supports Load and Store SCRIPTS instructions to increase the performance of data transfers to and from chip registers.
- Supports target disconnect and later reconnect with no interrupt to the system processor.
- Supports multithreaded I/O algorithms in SCSI SCRIPTS with fast I/O context switching.
- Supports expanded Register Move instructions.
- Compatible with LSI53C875 software (drivers and SCRIPTS).
- Enables Ultra SCSI with 40 MHz SCSI clock input with integrated clock doubler.

### 1.3.3 Testability

The LSI53C876 contains these testability features:

- All SCSI signals accessible through programmed I/O.
- SCSI loopback diagnostics.
- SCSI bus signal continuity checking.
- Support for single step mode operation.
- Test mode (AND-tree) to check pin continuity to the board.

## 1.3.4 Integration

The LSI53C876 contains these integration features:

- Dual channel SCSI multifunction controller.
- 3.3 V/5 V PCI interface.
- Full 32-bit PCI DMA bus master.
- Memory-to-Memory Move instructions allow use as a third-party PCI bus DMA controller.
- High-performance SCSI core.
- Integrated SCRIPTS processor.

## 1.3.5 Reliability

The LSI53C876 contains these reliability features:

- 2 kV ESD protection on SCSI signals.
- Typical 300 mV SCSI bus hysteresis.
- Protection against bus reflections due to impedance mismatches.
- Controlled bus assertion times (reduces EMI, improves reliability, and eases FCC certification).
- Latch-up protection greater than 150 mA.
- Voltage feed-through protection (minimum leakage current through SCSI pads).
- Power and ground isolation of I/O pads and internal chip logic.
- TolerANT technology, which provides:
  - Active negation of SCSI Data, Parity, Request, and Acknowledge signals for improved fast SCSI transfer rates.
  - Input signal filtering on SCSI receivers improves data integrity, even in noisy cabling environments.



# Chapter 2

## Functional Description

---

Chapter 2 is divided into the following sections:

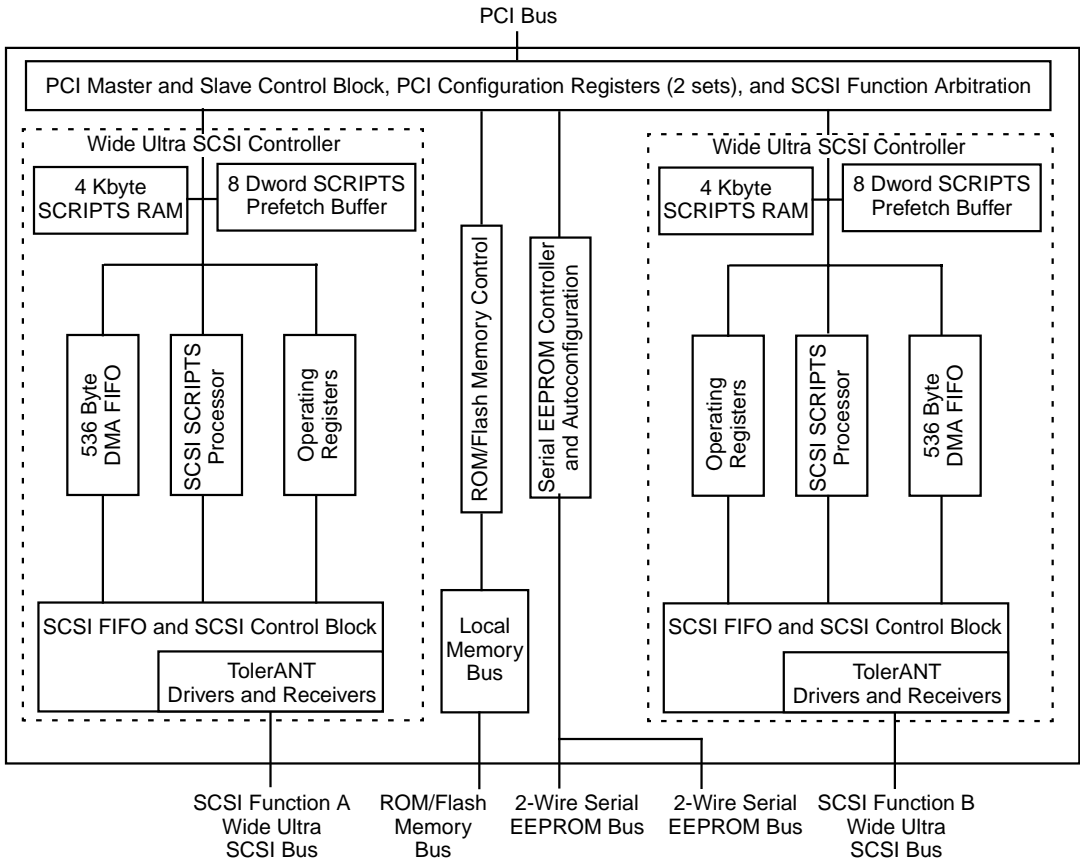
- [Section 2.1, “PCI Functional Description”](#)
- [Section 2.2, “SCSI Functional Description”](#)
- [Section 2.3, “Parallel ROM Interface”](#)
- [Section 2.4, “Serial EEPROM Interface”](#)
- [Section 2.5, “Power Management”](#)

The LSI53C876 is a multifunction device composed of the following modules:

- PCI Interface
- Two independent PCI-to-Wide Ultra SCSI Controllers
- ROM/Flash Memory Controller
- Serial EEPROM Controller

[Figure 2.1](#) illustrates the relationship between these modules.

**Figure 2.1 LSI53C876 Block Diagram**





---

## 2.1 PCI Functional Description

The LSI53C876 implements two PCI-to-Wide Ultra SCSI controllers in a single package. This configuration presents only one load to the PCI bus and uses one REQ/ - GNT/ pair to arbitrate for PCI bus mastership. However, separate interrupt signals are generated for SCSI Function A and SCSI Function B.

### 2.1.1 PCI Addressing

There are three physical PCI-defined address spaces:

- Configuration Space
- I/O Space
- Memory Space

#### 2.1.1.1 Configuration Space

Two independent sets of configuration space registers are defined, one set for each SCSI function. The Configuration registers are accessible only by system BIOS during PCI configuration cycles. The configuration space is a contiguous 256 x 8-bit set of addresses. Decoding C\_BE/[3:0] determines if a PCI cycle is intended to access configuration register space. The IDSEL bus signal is a “chip select” that allows access to the configuration register space only. A configuration read/write cycle without IDSEL is ignored. The eight lower order address bits AD[7:0], are used to select a specific 8-bit register. Since the LSI53C876 is a PCI multifunction device, AD[10:8] decodes either SCSI Function A Configuration register (AD [10:8] = 000 binary) or SCSI Function B Configuration register (AD [10:8] = 001 binary). The host processor uses this configuration space to initialize the LSI53C876.

At initialization time, each PCI device is assigned a base address for memory accesses and I/O accesses. In the case of the LSI53C876, the upper 24 bits of the address are selected. On every access, the LSI53C876 compares its assigned base addresses with the value on the Address/Data bus during the PCI address phase. If the upper 24 bits match, the access is for the LSI53C876 and the low-order eight bits define the register being accessed. A decode of C\_BE/[3:0] determines which registers and what type of access is to be performed.

**I/O Space** – The PCI specification defines I/O space as a contiguous 32-bit I/O address that is shared by all system resources, including the LSI53C876. The [Base Address Register Zero \(I/O\)](#) register determines which 256-byte I/O area this device occupies.

**Memory Space** – The PCI specification defines memory space as a contiguous 32-bit memory address that is shared by all system resources, including the LSI53C876. The [Base Address Register One \(Memory\)](#) register determines which 256-byte memory area this device occupies. Each SCSI function uses a 4 K SCRIPT RAM memory space. The [Base Address Register Two \(Memory\)](#) register determines the 4 Kbyte memory area occupied by SCRIPTS RAM.

## 2.1.2 PCI Bus Commands and Functions Supported

Bus commands indicate to the target the type of transaction the master is requesting. Bus commands are encoded on the C\_BE/[3:0] lines during the address phase. PCI bus commands and encoding types appear in [Table 2.1](#).

**Table 2.1 PCI Bus Commands and Encoding Types**

C_BE[3:0]	Command Type	Supported as Master	Supported as Slave
0b0000	Interrupt Acknowledge	No	No
0b0001	Special Cycle	No	No
0b0010	I/O Read	Yes	Yes
0b0011	I/O Write	Yes	Yes
0b0100	Reserved	N/A	N/A
0b0101	Reserved	N/A	N/A
0b0110	Memory Read	Yes	Yes
0b0111	Memory Write	Yes	Yes
0b1000	Reserved	N/A	N/A
0b1001	Reserved	N/A	N/A

**Table 2.1 PCI Bus Commands and Encoding Types (Cont.)**

<b>C_BE[3:0]</b>	<b>Command Type</b>	<b>Supported as Master</b>	<b>Supported as Slave</b>
0b1010	Configuration Read	No	Yes
0b1011	Configuration Write	No	Yes
0b1100	Memory Read Multiple	Yes <sup>1</sup>	No (defaults to 0110)
0b1101	Dual Address Cycle (DAC)	No	No
0b1110	Memory Read Line	Yes <sup>1</sup>	No (defaults to 0110)
0b1111	Memory Write and Invalidate	Yes <sup>2</sup>	No (defaults to 0111)

1. See the [DMA Mode \(DMODE\)](#) register.
2. See the [Chip Test Three \(CTEST3\)](#) register.

### 2.1.2.1 Interrupt Acknowledge Command

The LSI53C876 does not respond to this command as a slave and it never generates this command as a master.

### 2.1.2.2 Special Cycle Command

The LSI53C876 does not respond to this command as a slave and it never generates this command as a master.

### 2.1.2.3 I/O Read Command

The I/O Read command reads data from an agent mapped in I/O address space. All 32 address bits are decoded.

### 2.1.2.4 I/O Write Command

The I/O Write command writes data to an agent mapped in I/O address space. All 32 address bits are decoded.

### 2.1.2.5 Reserved Command

The LSI53C876 does not respond to this command as a slave and it never generates this command as a master.

### **2.1.2.6 Memory Read Command**

The Memory Read command reads data from an agent mapped in the Memory Address Space. The target is free to do an anticipatory read for this command only if it can guarantee that such a read has no side effects.

### **2.1.2.7 Memory Write Command**

The Memory Write command writes data to an agent mapped in the Memory Address Space. When the target returns “ready”, it assumes responsibility for the coherency (which includes ordering) of the subject data.

### **2.1.2.8 Configuration Read Command**

The Configuration Read command reads the configuration space of each agent. An agent is selected during a configuration access when its IDSEL signal is asserted and AD[1:0] are 0b00. During the address phase of a configuration cycle, AD[7:2] address one of the 64 Dword registers (where byte enables address of the bytes within each Dword) in the configuration space of each device and AD[31:11] are logical don't cares to the selected agent. AD[10:8] indicate which device of a multifunction agent is being addressed.

### **2.1.2.9 Configuration Write Command**

The Configuration Write command transfers data to the configuration space of each agent. An agent is selected when its IDSEL signal is asserted and AD[1:0] are 0b00. During the address phase of a configuration cycle, the AD[7:2] lines address the 64 Dword registers (where byte enables address of the bytes within each Dword) in the configuration space of each device, and AD[31:11] are logical don't cares to the selected agent. AD[10:8] indicate which device of a multifunction agent is addressed.

### **2.1.2.10 Memory Read Multiple Command**

This command is identical to the Memory Read command except that it additionally indicates that the master may intend to fetch more than one cache line before disconnecting. The LS153C876 supports PCI Read Multiple functionality and issues Read Multiple commands on the PCI

bus when the Read Multiple Mode is enabled. This mode is enabled by setting bit 2 (ERMP) of the [DMA Mode \(DMODE\)](#) register. If cache mode is enabled, a Read Multiple command is issued on all read cycles, except opcode fetches, when the following conditions are met:

- The CLSE bit (Cache Line Size Enable, bit 7, [DMA Control \(DCNTL\)](#) register) and the ERMP bit (Enable Read Multiple, bit 2, [DMA Mode \(DMODE\)](#) register) are set.
- The [Cache Line Size](#) register for each function contains a legal burst size value (2, 4, 8, 16, 32, 64, or 128) and that value is less than or equal to the [DMA Mode \(DMODE\)](#) burst size.
- The number of bytes to transfer at the time a cache boundary is reached is at least twice the full cache line size.
- The chip is aligned to a cache line boundary.

When these conditions are met, the chip issues a Read Multiple command instead of a Memory Read during all PCI read cycles.

**Burst Size Selection** – The Read Multiple command reads in multiple cache lines of data in a single bus ownership. The number of cache lines to read is a multiple of the cache line size specified in Revision 2.1 of the PCI specification. The logic selects the largest multiple of the cache line size based on the amount of data to transfer, with the maximum allowable burst size determined from the [DMA Mode \(DMODE\)](#) burst size bits, and the [Chip Test Five \(CTEST5\)](#), bit 2.

#### 2.1.2.11 Dual Address Cycles (DACs) Command

The LSI53C876 does not respond to this command as a slave, and it never generates this command as a master.

#### 2.1.2.12 Memory Read Line Command

This command is identical to the Memory Read command, except that it additionally indicates that the master intends to fetch a complete cache line. This command is intended for use with bulk sequential data transfers where the memory system and the requesting master might gain some performance advantage by reading up to a cache line boundary rather than a single memory cycle. The Read Line function in the previous LSI53C8XX chips is modified in the LSI53C876 to reflect the PCI [Cache Line Size](#) register specifications. The functionality of the Enable Read

Line bit ([DMA Mode \(DMODE\)](#) register, bit 3) is modified to more resemble the Write and Invalidate mode in terms of conditions that must be met before a Read Line command is issued. However, the Read Line option operates exactly like the previous LSI53C8XX chips when cache mode is disabled by a CLSE bit reset or when certain conditions exist in the chip (explained below).

If cache mode is disabled, Read Line commands are issued on every read data transfer, except opcode fetches, as in previous LSI53C8XX chips.

If cache mode is enabled, a Read Line command is issued on all read cycles, except opcode fetches, when the following conditions are met:

- The CLSE (Cache Line Size Enable, bit 7, [DMA Control \(DCNTL\)](#) register) and ERL (Enable Read Line, bit 3, [DMA Mode \(DMODE\)](#) register) bits are set.
- The [Cache Line Size](#) register for each function must contain a legal burst size value (2, 4, 8, 16, 32, 64, or 128) and that value is less than or equal to the [DMA Mode \(DMODE\)](#) burst size.
- The number of bytes to be transferred at the time a cache boundary is reached is equal to or greater than the [DMA Mode \(DMODE\)](#) burst size.
- The chip is aligned to a cache line boundary.

When these conditions are met, the chip issues a Read Line command instead of a Memory Read during all PCI read cycles. Otherwise, it issues a normal Memory Read command.

**Read Multiple with Read Line Enabled** – When both the Read Multiple and Read Line modes are enabled, the Read Line command is not issued if the above conditions are met. Instead, a Read Multiple command is issued, even though the conditions for Read Line are met.

If the Read Multiple mode is enabled and the Read Line mode is disabled, Read Multiple commands are issued if the Read Multiple conditions are met.

### 2.1.2.13 Memory Write and Invalidate Command

The Memory Write and Invalidate command is identical to the Memory Write command, except that it additionally guarantees a minimum transfer of one complete cache line; that is to say, the master intends to write all bytes within the addressed cache line in a single PCI transaction unless interrupted by the target. This command requires implementation of the PCI [Cache Line Size](#) register at address 0x0C in the PCI configuration space. The LSI53C876 enables Memory Write and Invalidate cycles when bit 0 (WRIE) in the [Chip Test Three \(CTEST3\)](#) register and bit 4 (WIE) in the PCI [Command](#) register are set. When the following conditions are met, Memory Write and Invalidate commands are issued:

- The CLSE bit (Cache Line Size Enable, [DMA Control \(DCNTL\)](#) register, bit 7), WRIE bit (Write and Invalid Enable, [Chip Test Three \(CTEST3\)](#) register, bit 0), and PCI configuration Command register, bit 4 are set.
- The [Cache Line Size](#) register for each function contains a legal burst size value (2, 4, 8, 16, 32, 64, or 128) and that value is less than or equal to the [DMA Mode \(DMODE\)](#) burst size.
- The chip has enough bytes in the DMA FIFO to complete at least one full cache line burst.
- The chip is aligned to a cache line boundary.

When these conditions are met, the LSI53C876 issues a Write and Invalidate command instead of a Memory Write command during all PCI write cycles.

**Multiple Cache Line Transfers** – The Write and Invalidate command can write multiple cache lines of data in a single bus ownership. The chip issues a burst transfer as soon as it reaches a cache line boundary. The size of the transfer is not automatically the cache line size, but rather a multiple of the cache line size as specified in Revision 2.1 of the PCI specification. The logic selects the largest multiple of the cache line size based on the amount of data to transfer, with the maximum allowable burst size determined from the [DMA Mode \(DMODE\)](#) burst size bits, and [Chip Test Five \(CTEST5\)](#), bit 2. If multiple cache line size transfers are not desired, set the [DMA Mode \(DMODE\)](#) burst size to exactly the cache line size and the chip only issues single cache line transfers.

After each data transfer, the chip re-evaluates the burst size based on the amount of remaining data to transfer and again selects the highest possible multiple of the cache line size, no larger than the **DMA Mode (DMODE)** burst size. The most likely scenario of this scheme is that the chip selects the **DMA Mode (DMODE)** burst size after alignment, and issues bursts of this size. The burst size is, in effect, throttled down toward the end of a long Memory Move or Block Move transfer until only the cache line size burst size is left. The chip finishes the transfer with this burst size.

**Latency** – In accordance with the PCI specification, the chip's latency timer is ignored when issuing a Write and Invalidate command such that when a latency time-out occurs, the LSI53C876 continues to transfer up to a cache line boundary. At that point, the chip relinquishes the bus, and finishes the transfer at a later time using another bus ownership. If the chip is transferring multiple cache lines it continues to transfer until the next cache boundary is reached.

**PCI Target Retry** – During a Write and Invalidate transfer, if the target device issues a retry (STOP with no TRDY, indicating that no data was transferred), the chip relinquishes the bus and immediately tries to finish the transfer on another bus ownership. The chip issues another Write and Invalidate command on the next ownership, in accordance with the PCI specification.

**PCI Target Disconnect** – During a Write and Invalidate transfer, if the target device issues a disconnect the LSI53C876 relinquishes the bus and immediately tries to finish the transfer on another bus ownership. The chip does not issue another Write and Invalidate command on the next ownership unless the address is aligned.

### 2.1.3 Internal Arbiter

The PCI to SCSI controller uses a single REQ/ - GNT/ signal pair to arbitrate for access to the PCI bus. The LSI53C876 uses a round robin arbitration scheme to allow both SCSI functions to arbitrate for PCI bus access.

An internal arbiter circuit allows the different bus mastering functions resident in the chip to arbitrate among themselves for the privilege of arbitrating for PCI bus access. There are two independent bus mastering functions inside the LSI53C876, one for each of the SCSI functions.



## 2.1.4 PCI Cache Mode

The LSI53C876 supports the PCI specification for an 8-bit [Cache Line Size](#) register located in the PCI configuration space. The [Cache Line Size](#) register provides the ability to sense and react to nonaligned addresses corresponding to cache line boundaries. In conjunction with the [Cache Line Size](#) register, the PCI commands Read Line, Read Multiple, and Write and Invalidate are each software enabled or disabled to allow the user full flexibility in using these commands.

### 2.1.4.1 Selection of Cache Line Size

The cache logic for each bus mastering function selects a cache line size based on the values for the burst size in the [DMA Mode \(DMODE\)](#) register, and the PCI [Cache Line Size](#) register, whichever is appropriate.

Note: Each bus mastering function does not automatically use the value in its PCI [Cache Line Size](#) register as the cache line size value. The chip scales the value of the [Cache Line Size](#) register down to the nearest binary burst size allowed by the chip (2, 4, 8, 16, 32, 64, or 128). The SCSI function compares this value to the DMODE burst size, then selects the smaller as the value for the cache line size.

### 2.1.4.2 Alignment

The LSI53C876 uses the calculated line size value to monitor the current address for alignment to the cache line size. When it is not aligned, the chip attempts to align to the cache boundary by using a “smart aligning” scheme. This means that it attempts to use the largest burst size possible that is less than the cache line size, to reach the cache boundary quickly with no overflow. This process is a stepping mechanism that steps up to the highest possible burst size based on the current address.

The stepping process begins at a 4 Dword boundary. The LSI53C876 first tries to align to a 4 Dword boundary (0x0000, 0x0010, 0x0020, etc.) by using single Dword transfers (no bursting). Once this boundary is reached the chip evaluates the current alignment to various burst sizes allowed, and selects the largest possible as the next burst size, while not exceeding the cache line size. The chip then issues this burst and re-evaluates the alignment to various burst sizes, again selecting the

largest possible while not exceeding the cache line size, as the next burst size. This stepping process continues until the chip reaches the cache line size boundary or runs out of data. Once a cache line boundary is reached, the chip uses the cache line size as the burst size from then on, except in the case of multiples (explained below). The alignment process is finished at this point.

**Example: Cache Line Size = 16, Current Address = 0x01** – The chip is not aligned to a 4 Dword cache boundary (the stepping threshold), so it issues four single Dword transfers (the first is a 3-byte transfer). At address 0x10, the chip is aligned to a 4-Dword boundary, but not aligned to any higher burst size boundaries that are less than the cache line size. So, the part issues a burst of 4. At this point, the address is 0x20, and the chip evaluates that it is aligned not only to a 4 Dword boundary, but also to an 8 Dword boundary. It selects the highest, 8, and bursts 8 Dwords. At this point, the address is 0x40, which is a cache line size boundary. Alignment stops, and the burst size from then on is switched to 16.

#### 2.1.4.3 Memory Move Misalignment

The LSI53C876 does not operate in a cache alignment mode when a Memory Move instruction type is issued and the read and write addresses are different distances from the nearest cache line boundary. For example, if the read address is 0x21F and the write address is 0x42F, and the cache line size is 8, the addresses are byte aligned, but they are not the same distance from the nearest cache boundary. The read address is 1 byte from the cache boundary 0x220 and the write address is 17 bytes from the cache boundary 0x440. In this situation, the chip does not align to cache boundaries.

---

## 2.2 SCSI Functional Description

### 2.2.1 Two SCSI Controllers

The LSI53C876 provides two SCSI controllers on a single chip. Each SCSI controller provides a SCSI function that supports an 8-bit or 16-bit bus. Each supports Ultra SCSI synchronous transfer rates up to 40 Mbytes/s, Ultra SCSI synchronous transfer rates up to 20 Mbytes/s, and asynchronous transfer rates up to 14 Mbytes/s on a wide SCSI bus. The SCSI functions are programmed with SCSI SCRIPTS, making it easy to “fine tune” the system for specific mass storage devices or SCSI-2 requirements.

The LSI53C876 offers low-level register access or a high-level control interface. Like first generation SCSI devices, the LSI53C876 is accessed as a register-oriented device. Error recovery and diagnostic procedures use the ability to sample and/or assert any signal on the SCSI bus. In support of SCSI loopback diagnostics, each SCSI core may perform a self-selection and operate as both an initiator and a target.

The LSI53C876 is controlled by the integrated SCRIPTS processor through a high-level logical interface. Commands controlling the SCSI core are fetched out of the main host memory or local memory. These commands instruct the SCSI core to Select, Reselect, Disconnect, Wait for a Disconnect, Transfer Information, Change Bus Phases and, in general, implement all aspects of the SCSI protocol. The SCRIPTS processor is a special high-speed processor optimized for SCSI protocol.

### 2.2.2 SCRIPTS Processor

The SCSI SCRIPTS processor allows both DMA and SCSI commands to be fetched from host memory or internal SCRIPTS RAM. Algorithms written in SCSI SCRIPTS control the actions of the SCSI and DMA cores. The SCRIPTS processor executes complex SCSI bus sequences independently of the host CPU.

Algorithms may be designed to tune SCSI bus performance, to adjust to new bus device types (such as scanners, communication gateways, etc.), or to incorporate changes in the SCSI-2 or SCSI-3 logical bus definitions

without sacrificing I/O performance. SCSI SCRIPTS are hardware independent, so they can be used interchangeably on any host or CPU system bus.

### 2.2.2.1 Internal SCRIPTS RAM

The LSI53C876 has 4 Kbytes (1024 x 32 bits) of internal, general purpose RAM. The RAM is designed for SCRIPTS program storage, but is not limited to this type of information. When the chip fetches SCRIPTS instructions or Table Indirect information from the internal RAM, these fetches remain internal to the chip and do not use the PCI bus. Other types of access to the RAM by the chip use the PCI bus, as if they were external accesses. The MAD5 pin disables the 4 K internal RAM. To disable the internal RAM, connect a 4.7 k $\Omega$  resistor between the MAD5 pin and  $V_{SS}$  (ground). The SCRIPTS RAM powers up enabled by default.

The RAM can be relocated by the PCI system BIOS anywhere in 32-bit address space. The [Base Address Register Two \(Memory\)](#) register in PCI configuration space contains the base address of the internal RAM. This register is similar to the ROM Base Address register in PCI configuration space. To simplify loading of the SCRIPTS instructions, the base address of the RAM appears in the [Scratch Register B \(SCRATCHB\)](#) register when bit 3 of the [Chip Test Two \(CTEST2\)](#) register is set. The RAM is byte accessible from the PCI bus and is visible to any bus mastering device on the bus. External accesses to the RAM (by the CPU) follow the same timing sequence as a standard slave register access, except that the required target wait-states drop from 5 to 3.

A complete set of development tools is available for writing custom drivers with SCSI SCRIPTS. For more information on the SCSI SCRIPTS instructions supported by the LSI53C876, see [Chapter 5, “SCSI SCRIPTS Instruction Set.”](#)

### 2.2.2.2 Prefetching SCRIPTS Instructions

When enabled by setting the Prefetch Enable bit (bit 5) in the [DMA Control \(DCNTL\)](#) register, the prefetch logic in the LSI53C876 fetches 8 Dwords of instructions. The prefetch logic automatically determines the maximum burst size that it can perform based on the burst length as determined by the values in the [DMA Mode \(DMODE\)](#) register. If the unit cannot perform bursts of at least four Dwords, it disables itself. While the

chip is prefetching SCRIPTS instructions, the PCI [Cache Line Size](#) register value does not have any effect and the Read Line, Read Multiple, and Write and Invalidate commands are not used.

**Note:** This feature is only useful if fetching SCRIPTS instructions from main memory. Due to the short access time of SCRIPTS RAM, prefetching is not necessary when fetching instructions from this memory.

The LSI53C876 may flush the contents of the prefetch unit under certain conditions, listed below, to ensure that the chip always operates from the most current version of the SCRIPTS instruction. When one of these conditions apply, the contents of the prefetch unit are automatically flushed.

- On every Memory Move instruction. The Memory Move instruction often places modified code directly into memory. To make sure that the chip executes all recent modifications, the prefetch unit flushes its contents and loads the modified code every time a instruction is issued. To avoid inadvertently flushing the prefetch unit contents, use the No Flush option for all Memory Move operations that do not modify code within the next 8 Dwords. For more information on this instruction, refer to [Chapter 5, “SCSI SCRIPTS Instruction Set.”](#)
- On every Store instruction. The Store instruction may also be used to place modified code directly into memory. To avoid inadvertently flushing the prefetch unit contents use the No Flush option for all Store operations that do not modify code within the next 8 Dwords.
- On every write to the [DMA SCRIPTS Pointer \(DSP\)](#) register.
- On all Transfer Control instructions when the transfer conditions are met. This is necessary because the next instruction to execute is not the sequential next instruction in the prefetch unit.
- When the Prefetch Flush bit ([DMA Control \(DCNTL\)](#) register, bit 6) is set. The unit flushes whenever this bit is set. The bit is self-clearing.

### 2.2.2.3 OpCode Fetch Burst Capability

Setting the Burst OpCode Fetch Enable bit (bit 1) in the [DMA Mode \(DMODE\)](#) register (0x38) causes the LSI53C876 to burst in the first two Dwords of all instruction fetches. If the instruction is a Memory-to-

Memory Move, the third Dword is accessed in a separate ownership. If the instruction is an indirect type, the additional Dword is accessed in a subsequent bus ownership. If the instruction is a Table Indirect Block Move, the chip uses two accesses to obtain the four Dwords required, in two bursts of two Dwords each.

Note: This feature is only useful if prefetching is disabled and SCRIPTS instructions are fetched from main memory. Due to the short access time of SCRIPTS RAM, burst opcode fetching is not necessary when fetching instructions from this memory.

#### 2.2.2.4 Load/Store Instructions

The LSI53C876 supports the Load and Store instruction type, which simplifies the movement of data between memory and the internal chip registers. It also enables the chip to transfer bytes to addresses relative to the [Data Structure Address \(DSA\)](#) register. For more information on the Load and Store instructions, refer to [Chapter 5, “SCSI SCRIPTS Instruction Set.”](#)

### 2.2.3 JTAG Boundary Scan Testing

The LSI53C876 includes support for JTAG boundary scan testing in accordance with the IEEE 1149.1 specification with one exception, which is explained in this section. This device accepts all required boundary scan instructions including the optional CLAMP, HIGH-Z, and IDCODE instructions.

The LSI53C876 uses an 8-bit instruction register to support all boundary scan instructions. The data registers included in the device are the Boundary Data register, the IDCODE register, and the Bypass register. This device can handle a 10 MHz TCK frequency for TDO and TDI.

Due to design constraints, the RST/ pin (system reset) always 3-states the SCSI pins when it is asserted. Boundary scan logic does not control this action, and this is not compliant with the specification. There are two solutions that resolve this issue:

1. Use the RST/ pin as a boundary scan compliance pin. When the pin deasserts, the device is boundary scan compliant and when it asserts, the device is noncompliant. To maintain compliance the RST/ pin must be driven high.
2. When RST/ asserts during boundary scan testing the expected output on the SCSI pins must be the HIGH-Z condition, and not what is contained in the boundary scan data registers for the SCSI pin output cells.

## 2.2.4 SCSI Loopback Mode

The LSI53C876 loopback mode allows testing of both initiator and target functions and, in effect, lets the chip communicate with itself. When the Loopback Enable bit is set in the [SCSI Test Two \(STEST2\)](#) register, bit 4, the LSI53C876 allows control of all SCSI signals, whether the chip is operating in the initiator or target mode. For more information on this mode of operation, refer to the *SCSI SCRIPTS Processors Programming Guide*.

## 2.2.5 Parity Options

The LSI53C876 implements a flexible parity scheme that allows control of the parity sense, allows parity checking to be turned on or off, and has the ability to deliberately send a byte with bad parity over the SCSI bus to test parity error recovery procedures. [Table 2.2](#) defines the bits that are involved in parity control and observation. [Table 2.3](#) describes the parity control function of the Enable Parity Checking and Assert SCSI Even Parity bits in the [SCSI Control One \(SCNTL1\)](#) register, bit 2. [Table 2.4](#) describes the options available when a parity error occurs. [Figure 2.2](#) shows where parity checking is done in the LSI53C876.

**Table 2.2 Bits Used for Parity Control and Generation**

Bit Name	Location	Description
Assert SATN/ on Parity Errors	SCSI Control Zero (SCNTL0), Bit 1	Causes the LSI53C876 to automatically assert SATN/ when it detects a parity error while operating as an initiator.
Enable Parity Checking	SCSI Control Zero (SCNTL0), Bit 3	Enables the LSI53C876 to check for parity errors. The LSI53C876 checks for odd parity.
Assert Even SCSI Parity	SCSI Control One (SCNTL1), Bit 2	Determines the SCSI parity sense generated by the LSI53C876 to the SCSI bus.
Disable Halt on SATN/ or a Parity Error (Target Mode Only)	SCSI Control One (SCNTL1), Bit 5	Causes the LSI53C876 not to halt operations when a parity error is detected in target mode.
Enable Parity Error Interrupt	SCSI Interrupt Enable Zero (SIEN0), Bit 0	Determines whether the LSI53C876 generates an interrupt when it detects a SCSI parity error.
Parity Error	SCSI Interrupt Status Zero (SIST0), Bit 0	This status bit is set whenever the LSI53C876 detects a parity error on the SCSI bus.
Status of SCSI Parity Signal	SCSI Status Zero (SSTAT0), Bit 0	This status bit represents the active HIGH current state of the SCSI SDP0 parity signal.
SCSI SDP1 Signal	SCSI Status Two (SSTAT2), Bit 0	This bit represents the active HIGH current state of the SCSI SDP1 parity signal.
Latched SCSI Parity	SCSI Status Two (SSTAT2), Bit 3 and SCSI Status One (SSTAT1), Bit 3	These bits reflect the SCSI odd parity signal corresponding to the data latched into the <a href="#">SCSI Input Data Latch (SIDL)</a> register.
Master Parity Error Enable	Chip Test Four (CTEST4), Bit 3	Enables parity checking during master data phases.
Master Data Parity Error	DMA Status (DSTAT), Bit 6	Set when the LSI53C876, as a PCI master, detects a target device signaling a parity error during a data phase.
Master Data Parity Error Interrupt Enable	DMA Interrupt Enable (DIEN), Bit 6	By clearing this bit, a Master Data Parity Error does not cause assertion of INTA/ (or INTB/), but the status bit is set in the <a href="#">DMA Status (DSTAT)</a> register.



**Table 2.3 SCSI Parity Control**

EPC	AESP	Description
0	0	Does not check for parity errors. Parity is generated when sending SCSI data. Asserts odd parity when sending SCSI data.
0	1	Does not check for parity errors. Parity is generated when sending SCSI data. Asserts even parity when sending SCSI data.
1	0	Checks for odd parity on SCSI data received. Parity is generated when sending SCSI data. Asserts odd parity when sending SCSI data.
1	1	Checks for odd parity on SCSI data received. Parity is generated when sending SCSI data. Asserts even parity when sending SCSI data.

## 1. Key:

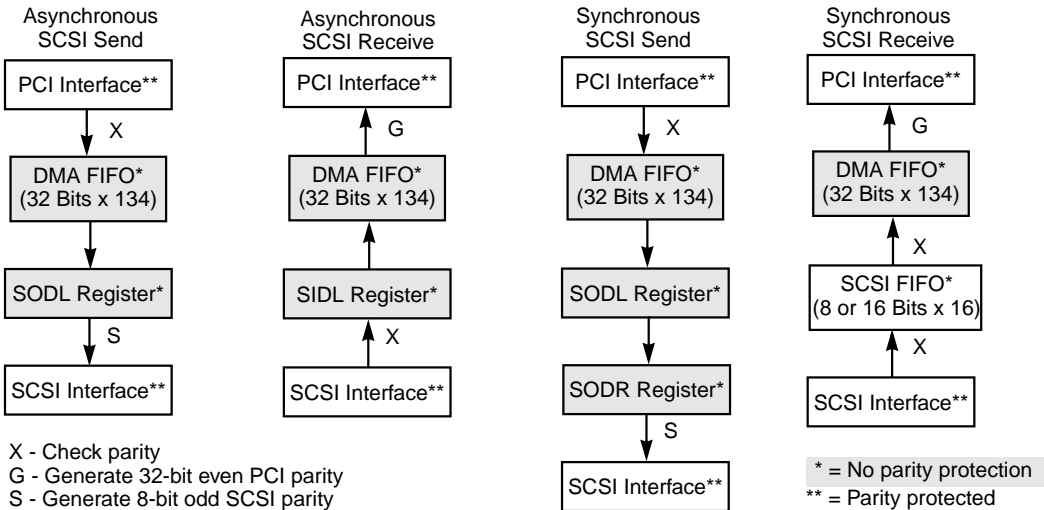
EPC = Enable Parity Checking (bit 3, [SCSI Control Zero \(SCNTL0\)](#)).ASEP = Assert SCSI Even Parity (bit 2, [SCSI Control One \(SCNTL1\)](#)).**Table 2.4 SCSI Parity Errors and Interrupts**

DPH	PAR	Description
0	0	Halts when a parity error occurs in the target or initiator mode and does not generate an interrupt.
0	1	Halts when a parity error occurs in the target mode and generates an interrupt in target or initiator mode.
1	0	Does not halt in target mode when a parity error occurs until the end of the transfer. An interrupt is not generated.
1	1	Does not halt in target mode when a parity error occurs until the end of the transfer. An interrupt is generated.

## Key:

DHP = Disable Halt on SATN/ or Parity Error (bit 5, [SCSI Control One \(SCNTL1\)](#)).PAR = Parity Error (bit 0, [SCSI Interrupt Enable Zero \(SIEN0\)](#)).

**Figure 2.2 Parity Checking/Generation**

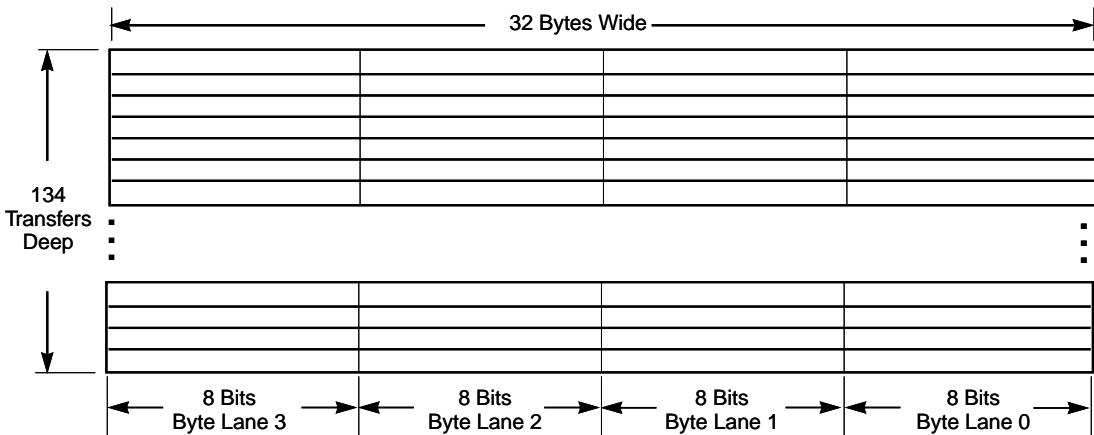


**2.2.6 DMA FIFO**

The DMA FIFO is 4 bytes wide by 134 transfers deep. The DMA FIFO is illustrated in Figure 2.3. The default DMA FIFO size is 88 bytes to assure compatibility with older products in the LSI53C8XX family.

The DMA FIFO size may be set to 536 bytes by setting the DMA FIFO Size bit, bit 5, in the Chip Test Five (CTEST5) register.

**Figure 2.3 DMA FIFO Sections**



The LSI53C876 automatically supports misaligned DMA transfers. A 536-byte FIFO allows the LSI53C876 to support 2, 4, 8, 16, 32, 64, or 128 Dword bursts across the PCI bus interface.

### 2.2.6.1 Data Paths

The data path through the LSI53C876 depends on whether data is being moved into or out of the chip, and whether SCSI data is being transferred asynchronously or synchronously.

Figure 2.4 shows how data is moved to/from the SCSI bus in each of the different modes.

The following steps determine if any bytes remain in the data path when the chip halts an operation:

#### Asynchronous SCSI Send –

- Step 1. If the DMA FIFO size is set to 88 bytes, look at the [DMA FIFO \(DFIFO\)](#) and [DMA Byte Counter \(DBC\)](#) registers and calculate if there are bytes left in the DMA FIFO. To make this calculation, subtract the seven least significant bits of the [DMA Byte Counter \(DBC\)](#) register from the 7-bit value of the [DMA FIFO \(DFIFO\)](#) register. AND the result with 0x7F for a byte count between 0 and 88.

If the DMA FIFO size is set to 536 bytes (using bit 5 of the [Chip Test Five \(CTEST5\)](#) register), subtract the 10 least significant bits of the [DMA Byte Counter \(DBC\)](#) register from the 10-bit value of the DMA FIFO Byte Offset Counter, which consists of bits [1:0] in the [Chip Test Five \(CTEST5\)](#) register and bits [7:0] of the [DMA FIFO \(DFIFO\)](#) register. AND the result with 0x3FF for a byte count between 0 and 536.

- Step 2. Read bit 5 in the [SCSI Status Zero \(SSTAT0\)](#) and [SCSI Status Two \(SSTAT2\)](#) registers to determine if any bytes are left in the [SCSI Output Data Latch \(SODL\)](#) register. If bit 5 is set in the SSTAT0 or SSTAT2 register, then the least significant byte or the most significant byte in the [SCSI Output Data Latch \(SODL\)](#) register is full, respectively. Checking this bit also reveals bytes left in the [SCSI Output Data Latch \(SODL\)](#) register from a Chained Move operation with an odd byte count.

## Synchronous SCSI Send –

- Step 1. If the DMA FIFO size is set to 88 bytes, look at the [DMA FIFO \(DFIFO\)](#) and [DMA Byte Counter \(DBC\)](#) registers and calculate if there are bytes left in the DMA FIFO. To make this calculation, subtract the seven least significant bits of the [DMA Byte Counter \(DBC\)](#) register from the 7-bit value of the [DMA FIFO \(DFIFO\)](#) register. AND the result with 0x7F for a byte count between 0 and 88.

If the DMA FIFO size is set to 536 bytes (bit 5 of the [Chip Test Five \(CTEST5\)](#) register is set), subtract the 10 least significant bits of the [DMA Byte Counter \(DBC\)](#) register from the 10-bit value of the DMA FIFO Byte Offset Counter, which consists of bits [1:0] in the [Chip Test Five \(CTEST5\)](#) register and bits [7:0] of the [DMA FIFO \(DFIFO\)](#) register. AND the result with 0x3FF for a byte count between 0 and 536.

- Step 2. Read bit 5 in the [SCSI Status Zero \(SSTAT0\)](#) and [SCSI Status Two \(SSTAT2\)](#) registers to determine if any bytes are left in the [SCSI Output Data Latch \(SODL\)](#) register. If bit 5 is set in the SSTAT0 or SSTAT2 register, then the least significant byte or the most significant byte in the [SCSI Output Data Latch \(SODL\)](#) register is full, respectively. Checking this bit also reveals bytes left in the [SCSI Output Data Latch \(SODL\)](#) register from a Chained Move operation with an odd byte count.
- Step 3. Read bit 6 in the [SCSI Status Zero \(SSTAT0\)](#) and [SCSI Status Two \(SSTAT2\)](#) registers to determine if any bytes are left in the SODR register. If bit 6 is set in the [SCSI Status Zero \(SSTAT0\)](#) or [SCSI Status Two \(SSTAT2\)](#) register, then the least significant byte or the most significant byte in the SODR register is full, respectively.

## Asynchronous SCSI Receive –

- Step 1. If the DMA FIFO size is set to 88 bytes, look at the [DMA FIFO \(DFIFO\)](#) and [DMA Byte Counter \(DBC\)](#) registers and calculate if there are bytes left in the DMA FIFO. To make this calculation, subtract the seven least significant bits of the [DMA Byte Counter \(DBC\)](#) register from the 7-bit value of the [DMA FIFO \(DFIFO\)](#) register. AND the result with 0x7F for a byte count between 0 and 88.

If the DMA FIFO size is set to 536 bytes (bit 5 of the [Chip Test Five \(CTEST5\)](#) register is set), subtract the 10 least significant bits of the [DMA Byte Counter \(DBC\)](#) register from the 10-bit value of the DMA FIFO Byte Offset Counter, which consists of bits [1:0] in the [Chip Test Five \(CTEST5\)](#) register and bits [7:0] of the [DMA FIFO \(DFIFO\)](#) register. AND the result with 0x3FF for a byte count between 0 and 536.

- Step 2. Read bit 7 in the [SCSI Status Zero \(SSTAT0\)](#) and [SCSI Status Two \(SSTAT2\)](#) register to determine if any bytes are left in the [SCSI Input Data Latch \(SIDL\)](#) register. If bit 7 is set in the SSTAT0 or SSTAT2, then the least significant byte or the most significant byte is full, respectively.
- Step 3. If any wide transfers have been performed using the Chained Move instruction, read the Wide SCSI Receive bit ([SCSI Control Two \(SCNTL2\)](#), bit 0) to determine whether a byte is left in the [SCSI Wide Residue \(SWIDE\)](#) register.

### **Synchronous SCSI Receive –**

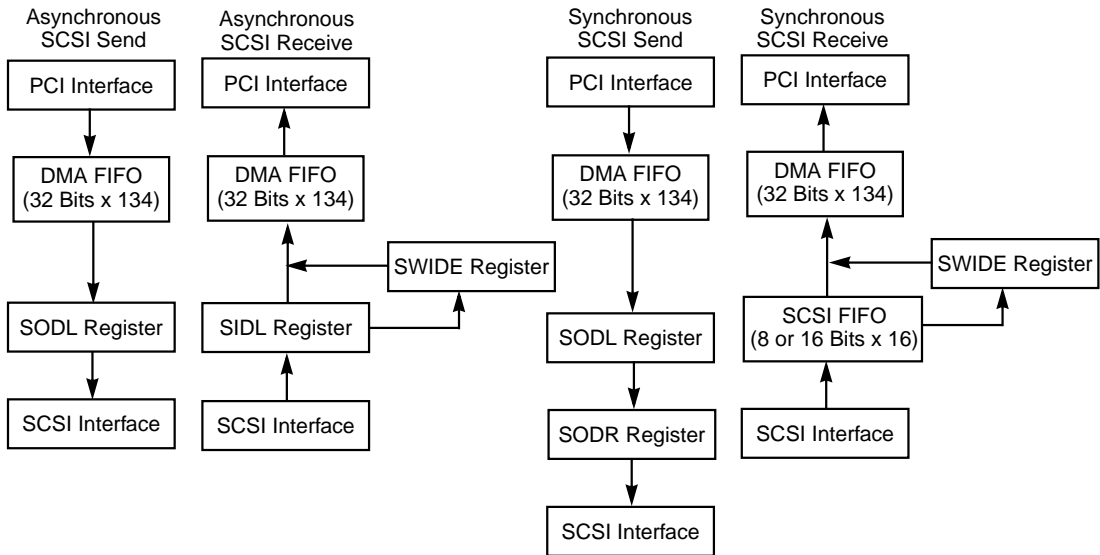
- Step 1. If the DMA FIFO size is set to 88 bytes, subtract the seven least significant bits of the [DMA Byte Counter \(DBC\)](#) register from the 7-bit value of the [DMA FIFO \(DFIFO\)](#) register. AND the result with 0x7F for a byte count between 0 and 88.

If the DMA FIFO size is set to 536 bytes (bit 5 of the [Chip Test Five \(CTEST5\)](#) register is set), subtract the 10 least significant bits of the [DMA Byte Counter \(DBC\)](#) register from the 10-bit value of the DMA FIFO Byte Offset Counter, which consists of bits [1:0] in the [Chip Test Five \(CTEST5\)](#) register and bits [7:0] of the [DMA FIFO \(DFIFO\)](#) register. AND the result with 0x3FF for a byte count between 0 and 536.

- Step 2. Read the [SCSI Status One \(SSTAT1\)](#) register and examine bits [7:4], the binary representation of the number of valid bytes in the SCSI FIFO, to determine if any bytes are left in the SCSI FIFO.
- Step 3. If any wide transfers have been performed using the Chained Move instruction, read the Wide SCSI Receive bit ([SCSI Control Two \(SCNTL2\)](#), bit 0) to determine whether a byte is left in the [SCSI Wide Residue \(SWIDE\)](#) register.

Figure 2.4 shows how data is moved to/from the SCSI bus in each of the different modes.

**Figure 2.4 LSI53C876 Host Interface SCSI Data Paths**



## 2.2.7 SCSI Bus Interface

All SCSI signals are active LOW. The LSI53C876 contains the SE output drivers and can be connected directly to the SCSI bus. Each output is isolated from the power supply to ensure that a powered-down LSI53C876 has no effect on an active SCSI bus (CMOS “voltage feed-through” phenomena). TolerANT technology provides signal filtering at the inputs of SREQ/ and SACK/ to increase immunity to signal reflections.

### 2.2.7.1 Differential Mode

In differential mode, the SDIR[15:0], SDIRP[1:0], IGS, TGS, RSTDIR, BSYDIR, and SELDIR signals control the direction of external differential pair transceivers. The LSI53C876 is placed in differential mode by setting the DIF bit, bit 5 of the [SCSI Test Two \(STEST2\)](#) register (0x4E). Setting this bit 3-states the BSY/, SEL/, and RST/ pads so they can be used as pure input pins. When TolerANT active negation is enabled, the recommended resistor value on the REQ/, ACK/, MSG/, C\_D/, I\_O/,

ATN/, SD[15:0], and SDP[1:0]/ signals is 1.5 k $\Omega$ . In addition to the standard SCSI lines, the following signals defined in [Table 2.5](#) are used during differential operation by the LSI53C876:

**Table 2.5 Differential Mode**

Signal	Function
BSYDIR, SELDIR, RSTDIR	Active HIGH signals used to enable the differential drivers as outputs for SCSI signals BSY/, SEL/, and RST/, respectively.
SDIR[15:0], SDIRP[1:0]	Active HIGH signals used to control direction of the differential drivers for SCSI data and parity lines, respectively.
IGS	Active HIGH signal used to control direction of the differential driver for initiator group signals ATN/ and ACK/.
TGS	Active HIGH signal used to control direction of the differential drivers for target group signals MSG/, C/D/, I/O/, and REQ/.
DIFFSENS	Input to the LSI53C876 used to detect the presence of an SE device on a differential system. If a logical zero is detected on this pin, then it is assumed that an SE device is on the bus and all SCSI outputs will be 3-stated to avoid damage to the transceiver.

See [Figure 2.5](#) for an example differential wiring diagram, in which the LSI53C876 is connected to the TI SN75976A differential transceiver. The recommended value of the pull-up resistor on the REQ/, ACK/, MSG/, C/D/, I/O/, ATN/, SD[15:0]/, SDP0/, and SDP1/ lines is 680  $\Omega$  when the Active Negation portion of LSI Logic TolerANT technology is not enabled. When TolerANT technology is enabled, the recommended resistor value on the REQ/, ACK/, SD[7:0]/, and SDP0/ signals is 1.5 k $\Omega$ . The electrical characteristics of these pins change when TolerANT is enabled, permitting a higher resistor value.

To interface the LSI53C876 to the SN75976A, connect the DIR pins, as well as IGS and TGS, of the LSI53C876 directly to the transceiver enables (nDE/RE/). These signals control the direction of the channels on the SN75976A.

The SCSI bidirectional control and data pins (SD[15:0]/, SDP0/, SDP1/, REQ/, ACK/, MSG/, I\_O/, C\_D/, and ATN/) of the LSI53C876 connect to the bidirectional data pins (nA) of the SN75976A with a pull-up resistor. The three remaining pins, SEL/, BSY/, and RST/ are connected to the SN75976A with a pull-down resistor. The pull-down resistors are required

when the pins (nA) of the SN75976A are configured as inputs. When the data pins are inputs, the resistors provide a bias voltage to both the LSI53C876 pins (SEL/, BSY/, and RST/) and the SN75976A data pins. Because the SEL/, BSY/, and RST/ pins on the LSI53C876 are inputs only, this configuration allows for the SEL/, BSY/, and RST/ SCSI signals to be asserted on the SCSI bus. The differential pairs on the SCSI bus are reversed when connected to the SN75976A, due to the active low nature of the SCSI bus.

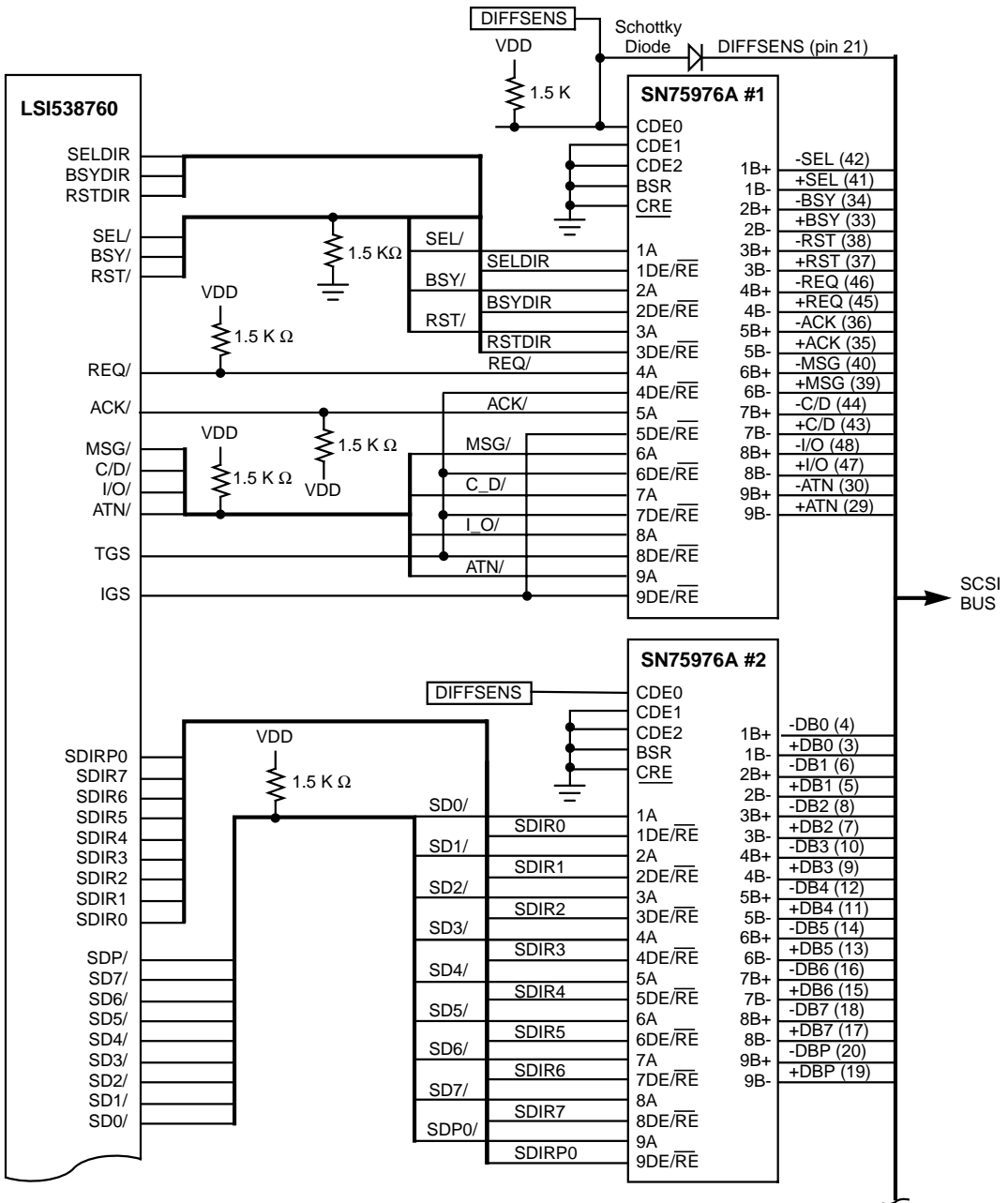
The pull-up value should be no lower than the transceiver  $I_{OL}$  can tolerate, but not so high as to cause RC timing problems.

Note: Use the TI SN75976A differential transceivers to achieve Ultra SCSI transfer rates.

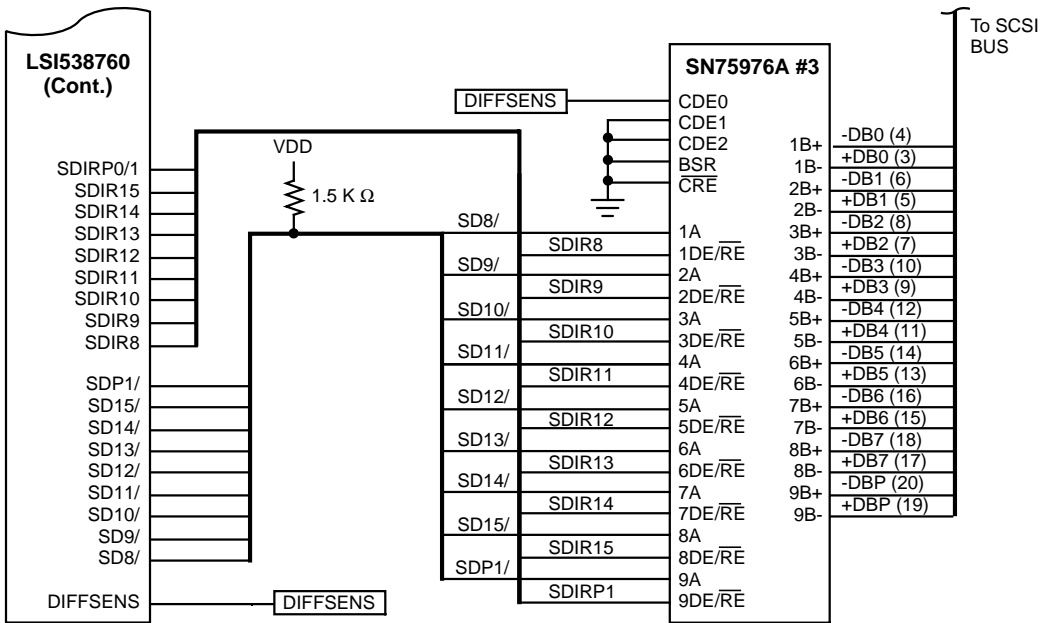
**8-Bit/16-Bit SCSI and the Differential Interface** – In an 8-bit SCSI bus, the SD[15:8] pins on the LSI53C876 should be pulled up with a 1.5 k $\Omega$  resistor or terminated like the rest of the SCSI bus lines. This is very important, as errors may occur during reselection if these lines are left floating.



**Figure 2.5 LSI53C876 Differential Wiring Diagram**



**Figure 2.5 LSI53C876 Differential Wiring Diagram (Cont.)**



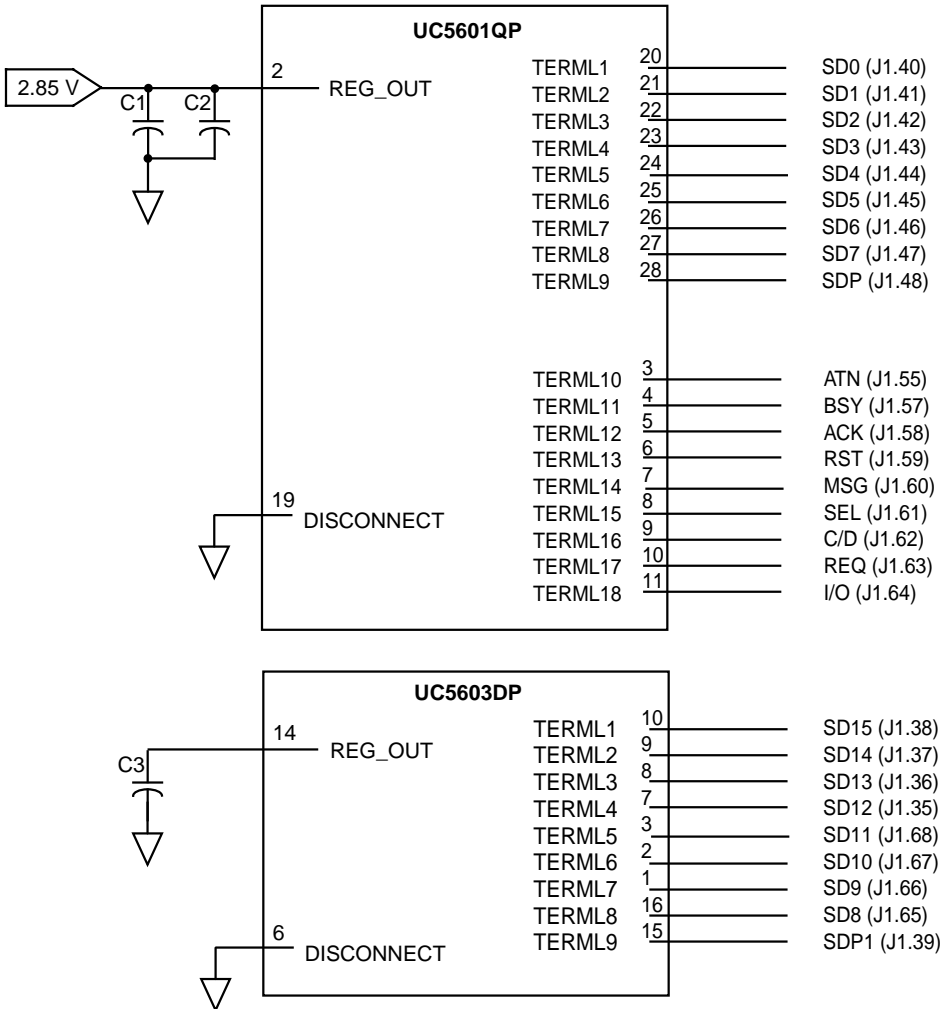
### 2.2.7.2 Terminator Networks

The terminator networks provide the biasing needed to pull signals to an inactive voltage level, and to match the impedance seen at the end of the cable with the characteristic impedance of the cable. Terminators must be installed at the extreme ends of the SCSI chain, and only at the ends. No system should ever have more or less than two terminators installed and active. SCSI host adapters should provide a means of accommodating terminators. There should be a means of disabling termination.

SE cables can use a 220  $\Omega$  pull-up to the terminator power supply (Term Power) line and a 330  $\Omega$  pull-down to ground. Because of the high-performance nature of the LSI53C876, regulated (or active) termination is recommended. [Figure 2.6](#) shows a Unitrode active terminator. For additional information, refer to the SCSI-2 Specification. TolerANT technology active negotiation can be used with either termination network.

**Note:** If the LSI53C876 is to be used in a design with only an 8-bit SCSI bus, all 16 data lines must still be terminated or pulled high. Active termination is required for Wide Ultra SCSI synchronous transfers.

**Figure 2.6 Regulated Termination**



**Notes:**

- C1 - 10  $\mu$ F SMT
- C2 - 0.1  $\mu$ F SMT
- C3 - 2.2  $\mu$ F SMT
- J1 - 68-pin, high density "P" connector

## 2.2.8 Synchronous Operation

The LSI53C876 can transfer synchronous SCSI data in both initiator and target modes. The **SCSI Transfer (SXFER)** register controls both the synchronous offset and the transfer period. It may be loaded by the CPU before SCRIPTS execution begins, from within SCRIPTS using a Table Indirect I/O instruction, or with a Read-Modify-Write instruction.

The LSI53C876 can receive data from the SCSI bus at a synchronous transfer period as short as 50 ns, regardless of the transfer period used to send data. The chip can receive data at one-fourth of the divided SCLK frequency. Depending on the SCLK frequency, the negotiated transfer period, and the synchronous clock divider, the chip can send synchronous data at intervals as short as 50 ns for Ultra SCSI, 100 ns for Fast SCSI, and 200 ns for SCSI-1.

### 2.2.8.1 Determining the Data Transfer Rate

Synchronous data transfer rates are controlled by bits in two different registers of the LSI53C876. Following is a brief description of the bits. [Figure 2.7](#) illustrates the clock division factors used in each register, and the role of the register bits in determining the transfer rate.

#### 2.2.8.2 SCSI Control Three (SCNTL3) Register, Bits [6:4] (SCF[2:0])

The SCF[2:0] bits select the factor by which the frequency of SCLK is divided before being presented to the synchronous SCSI control logic. The output from this divider controls the rate at which data can be received; this rate must not exceed 80 MHz. The receive rate is one-fourth of the divider output.

#### 2.2.8.3 SCSI Control Three (SCNTL3) Register, Bits [2:0] (CCF[2:0])

The CCF[2:0] bits select the factor by which the frequency of SCLK is divided before being presented to the asynchronous SCSI controller logic. This divider must be set according to the input clock frequency in the table.

#### 2.2.8.4 SCSI Transfer (SXFER) Register, Bits [7:5] (TP[2:0])

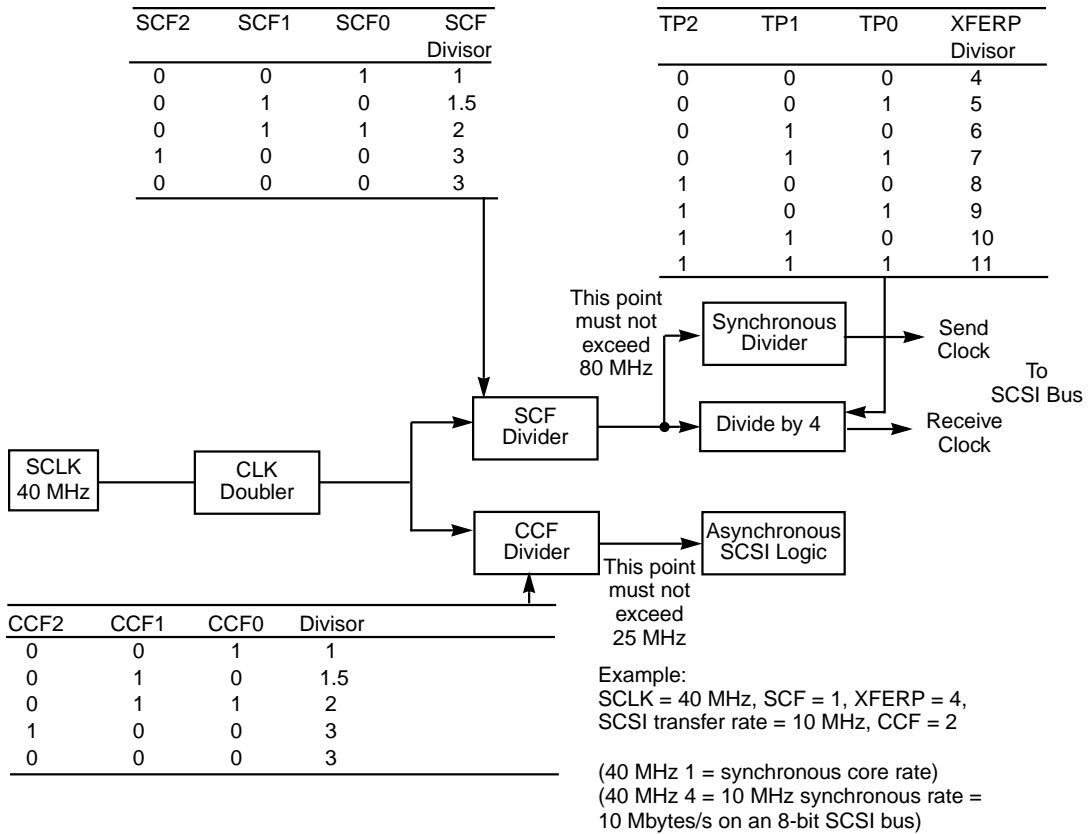
The TP[2:0] bits determine the SCSI synchronous transfer period when sending synchronous SCSI data in either initiator or target mode.

### 2.2.8.5 Wide Ultra SCSI Synchronous Transfers

Wide Ultra SCSI is an extension of current Fast SCSI synchronous transfer specifications. It allows synchronous transfer periods to be negotiated down as low as 50 ns, which is half the 100 ns period allowed under Fast SCSI. This allows a maximum transfer rate of 40 Mbytes/s on a 16-bit SCSI bus. The LSI53C876 requires that the 40 MHz clock is doubled by the internal clock doubler (see the [SCSI Test One \(STEST1\)](#) register description) to perform Wide Ultra SCSI transfers. In addition, the following bit values affect the chip's ability to support Wide Ultra SCSI synchronous transfer rates:

- Clock Conversion Factor bits, [SCSI Control Three \(SCNTL3\)](#) register bits [2:0] and Synchronous Clock Conversion Factor bits, SCNTL3 register bits [6:4]. These fields now support a value of 101 (binary), allowing the SCLK frequency to be divided down by 4. This allows systems with a 40 MHz clock to operate at Fast SCSI-2 transfer rates as well as Wide Ultra SCSI rates, if needed.
- Wide Ultra SCSI Mode Enable bit, [SCSI Control Three \(SCNTL3\)](#) register, bit 7. Setting this bit enables Wide Ultra SCSI synchronous transfers in systems that have a 40 MHz clock using the internal clock doubler.
- TolerANT Enable bit, [SCSI Test Three \(STEST3\)](#) register, bit 7. Setting this bit enables active negation.

**Figure 2.7 Determining the Synchronous Transfer Rate**



## 2.2.9 Designing a Wide Ultra SCSI System

Migrating an existing SCSI design from Fast SCSI to Wide Ultra SCSI requires minor software modifications as well as consideration for some hardware design guidelines. Since Wide Ultra SCSI is based on existing SCSI standards, it can use existing software programs as long as the software is able to negotiate for Wide Ultra SCSI synchronous transfer rates.

In the area of hardware, the primary area of concern in SE systems is to maintain signal integrity at high data transfer rates. To assure reliable operation at Wide Ultra SCSI transfer speeds, follow the system design parameters recommended in the Wide Ultra SCSI Parallel Interface draft standard. [Chapter 6, "Electrical Characteristics,"](#) contains Wide Ultra

SCSI timing information. In addition to the guidelines in the draft standard, make the following software and hardware adjustments to accommodate Wide Ultra SCSI transfers:

- Set the Wide Ultra SCSI Enable bit to enable Wide Ultra SCSI transfers.
- Set the TolerANT Enable bit, bit 7 in the [SCSI Test Three \(STEST3\)](#) register, whenever the Wide Ultra SCSI Enable bit is set.
- Do not extend the SREQ/SACK filtering period with [SCSI Test Two \(STEST2\)](#), bit 1.
- Use a 40 MHz SCSI clock with an internal clock doubler.

## 2.2.10 Interrupt Handling

The SCRIPTS processors in the LSI53C876 performs most functions independently of the host microprocessor. However, certain interrupt situations must be handled by the external microprocessor. This section explains all aspects of interrupts as they apply to the LSI53C876.

### 2.2.10.1 Polling and Hardware Interrupts

The external microprocessor is informed of an interrupt condition by polling or hardware interrupts. Polling means that the microprocessor must continually loop and read a register until it detects a bit set that indicates an interrupt. This method is the fastest, but it wastes CPU time that could be used for other system tasks. The preferred method of detecting interrupts in most systems is hardware interrupts. In this case, the LSI53C876 asserts the Interrupt Request (INTA/ or INTB/) line that interrupts the microprocessor, causing the microprocessor to execute an interrupt service routine. A hybrid approach would use hardware interrupts for long waits, and use polling for short waits.

### 2.2.10.2 Registers

The registers in the LSI53C876 that are used for detecting or defining interrupts are the [Interrupt Status \(ISTAT\)](#), [SCSI Interrupt Status Zero \(SIST0\)](#), [SCSI Interrupt Status One \(SIST1\)](#), [DMA Status \(DSTAT\)](#), [SCSI Interrupt Enable Zero \(SIEN0\)](#), [SCSI Interrupt Enable One \(SIEN1\)](#), [DMA Control \(DCNTL\)](#), and [DMA Interrupt Enable \(DIEN\)](#).

**ISTAT** – The [Interrupt Status \(ISTAT\)](#) is the only register that can be accessed as a slave during SCRIPTS operation. Therefore, it is the register that is polled when polled interrupts are used. It is also the first register that should be read after the INTA/ (or INTB/) pin is asserted in association with a hardware interrupt. The INTF (Interrupt-on-the-Fly) bit should be the first interrupt serviced. It must be written to one to be cleared. This interrupt must be cleared before servicing any other interrupts.

If the SIP bit in the [Interrupt Status \(ISTAT\)](#) register is set, then a SCSI-type interrupt has occurred and the [SCSI Interrupt Status Zero \(SIST0\)](#) and [SCSI Interrupt Status One \(SIST1\)](#) registers should be read.

If the DIP bit in the [Interrupt Status \(ISTAT\)](#) register is set, then a DMA-type interrupt has occurred and the [DMA Status \(DSTAT\)](#) register should be read.

SCSI-type and DMA-type interrupts may occur simultaneously, so in some cases both SIP and DIP may be set.

**SIST0 and SIST1** – The [SCSI Interrupt Status Zero \(SIST0\)](#) and [SCSI Interrupt Status One \(SIST1\)](#) registers contain the SCSI-type interrupt bits. Reading these registers determines which condition or conditions caused the SCSI-type interrupt, and clears that SCSI interrupt condition.

If the LSI53C876 is receiving data from the SCSI bus and a fatal interrupt condition occurs, the chip attempts to send the contents of the DMA FIFO to memory before generating the interrupt.

If the LSI53C876 is sending data to the SCSI bus and a fatal SCSI interrupt condition occurs, data could be left in the DMA FIFO. Because of this the DMA FIFO Empty (DFE) bit in [DMA Status \(DSTAT\)](#) should be checked.

If this bit is cleared, set the CLF (Clear DMA FIFO) and CSF (Clear SCSI FIFO) bits before continuing. The CLF bit is bit 2 in [Chip Test Three \(CTEST3\)](#). The CSF bit is bit 1 in [SCSI Test Three \(STEST3\)](#).

**DSTAT** – The [DMA Status \(DSTAT\)](#) register contains the DMA-type interrupt bits. Reading this register determines which condition or conditions caused the DMA-type interrupt, and clears that DMA interrupt condition. Bit 7 in [DMA Status \(DSTAT\)](#), DFE, is purely a status bit; it will not generate an interrupt under any circumstances and is not cleared



when read. DMA interrupts flush neither the DMA nor SCSI FIFOs before generating the interrupt, so the DFE bit in the [DMA Status \(DSTAT\)](#) register should be checked after any DMA interrupt.

If the DFE bit is cleared, then the FIFOs must be cleared by setting the CLF (Clear DMA FIFO) and CSF (Clear SCSI FIFO) bits, or flushed by setting the FLF (Flush DMA FIFO) bit.

**SIEN0 and SIEN1** – The [SCSI Interrupt Enable Zero \(SIEN0\)](#) and [SCSI Interrupt Enable One \(SIEN1\)](#) registers are the interrupt enable registers for the SCSI interrupts in [SCSI Interrupt Status Zero \(SIST0\)](#) and [SCSI Interrupt Status One \(SIST1\)](#).

**DIEN** – The [DMA Interrupt Enable \(DIEN\)](#) register is the interrupt enable register for DMA interrupts in [DMA Status \(DSTAT\)](#).

**DCNTL** – When bit 1 in this register is set, the INTA/ (or INTB/) pin is not asserted when an interrupt condition occurs. The interrupt is not lost or ignored, but merely masked at the pin. Clearing this bit when an interrupt is pending immediately causes the INTA/ (or INTB/) pin to assert. As with any register other than [Interrupt Status \(ISTAT\)](#), this register cannot be accessed except by a SCRIPTS instruction during SCRIPTS execution.

### 2.2.10.3 Fatal vs. Nonfatal Interrupts

A fatal interrupt, as the name implies, always causes the SCRIPTS to stop running. All nonfatal interrupts become fatal when they are enabled by setting the appropriate interrupt enable bit. Interrupt masking is discussed [Section 2.2.10.4, “Masking.”](#) All DMA interrupts (indicated by the DIP bit in [Interrupt Status \(ISTAT\)](#) and one or more bits in [DMA Status \(DSTAT\)](#) being set) are fatal.

Some SCSI interrupts (indicated by the SIP bit in the [Interrupt Status \(ISTAT\)](#) and one or more bits in [SCSI Interrupt Status Zero \(SIST0\)](#) or [SCSI Interrupt Status One \(SIST1\)](#) being set) are nonfatal.

When the LSI53C876 is operating in the Initiator mode, only the Function Complete (CMP), Selected (SEL), Reselected (RSL), General Purpose Timer Expired (GEN), and Handshake-to-Handshake Timer Expired (HTH) interrupts are nonfatal.

When operating in Target mode CMP, SEL, RSL, Target mode: SATN/ active (M/A), GEN, and HTH are nonfatal. Refer to the description for the Disable Halt on a Parity Error or SATN/ active (Target Mode Only) (DHP) bit in the [SCSI Control One \(SCNTL1\)](#) register to configure the chip's behavior when the SATN/ interrupt is enabled during Target mode operation. The Interrupt-on-the-Fly interrupt is also nonfatal, since SCRIPTS can continue when it occurs.

The reason for nonfatal interrupts is to prevent SCRIPTS from stopping when an interrupt occurs that does not require service from the CPU. This prevents an interrupt when arbitration is complete (CMP set), when the LSI53C876 is selected or reselected (SEL or RSL set), when the initiator asserts ATN (target mode: SATN/ active), or when the General Purpose or Handshake-to-Handshake timers expire. These interrupts are not needed for events that occur during high-level SCRIPTS operation.

#### 2.2.10.4 Masking

Masking an interrupt means disabling or ignoring that interrupt. Interrupts can be masked by clearing bits in the [SCSI Interrupt Enable Zero \(SIEN0\)](#) and [SCSI Interrupt Enable One \(SIEN1\)](#) (for SCSI interrupts) registers or DIEN (for DMA interrupts) register. How the chip responds to masked interrupts depends on: whether polling or hardware interrupts are being used; whether the interrupt is fatal or nonfatal; and whether the chip is operating in the Initiator or Target mode.

If a nonfatal interrupt is masked and that condition occurs, the SCRIPTS do not stop, the appropriate bit in the [SCSI Interrupt Status Zero \(SIST0\)](#) or [SCSI Interrupt Status One \(SIST1\)](#) is still set, the SIP bit in the ISTAT is not set, and the INTA/ (or INTB/) pin is not asserted. See [Section 2.2.10.3, "Fatal vs. Nonfatal Interrupts,"](#) for a list of the nonfatal interrupts.

If a fatal interrupt is masked and that condition occurs, then the SCRIPTS still stop, the appropriate bit in the [DMA Status \(DSTAT\)](#), [SCSI Interrupt Status Zero \(SIST0\)](#), or [SCSI Interrupt Status One \(SIST1\)](#) register is set, and the SIP or DIP bits in the ISTAT is set, but the INTA/ (or INTB/) pin is not asserted.

When the chip is initialized, enable all fatal interrupts if you are using hardware interrupts. If a fatal interrupt is disabled and that interrupt condition occurs, the SCRIPTS halts and the system never knows it unless it times out and checks the ISTAT after a certain period of inactivity.

If you are polling the [Interrupt Status \(ISTAT\)](#) instead of using hardware interrupts, then masking a fatal interrupt makes no difference since the SIP and DIP bits in the ISTAT inform the system of interrupts, not the INTA/ (or INTB/) pin.

Masking an interrupt after INTA/ (or INTB/) is asserted does not cause deassertion of INTA/ (or INTB/).

### 2.2.10.5 Stacked Interrupts

The LSI53C876 stacks interrupts if they occur one after the other. If the SIP or DIP bits in the [Interrupt Status \(ISTAT\)](#) register are set (first level), then there is already at least one pending interrupt, and any future interrupts are stacked in extra registers behind the [SCSI Interrupt Status Zero \(SIST0\)](#), [SCSI Interrupt Status One \(SIST1\)](#), and [DMA Status \(DSTAT\)](#) registers (second level). When two interrupts have occurred and the two levels of the stack are full, any further interrupts set additional bits in the extra registers behind SIST0, SIST1, and DSTAT. When the first level of interrupts are cleared, all the interrupts that came in afterward move into the SIST0, SIST1, and DSTAT. After the first interrupt is cleared by reading the appropriate register, the INTA/ (or INTB/) pin is deasserted for a minimum of three CLKs; the stacked interrupts move into the SIST0, SIST1, or DSTAT; and the INTA/ (or INTB/) pin is asserted once again.

Since a masked nonfatal interrupt does not set the SIP or DIP bits, interrupt stacking does not occur. A masked, nonfatal interrupt still posts the interrupt in SIST0, but does not assert the INTA/ (or INTB/) pin. Since no interrupt is generated, future interrupts move right into the [SCSI Interrupt Status Zero \(SIST0\)](#) or [SCSI Interrupt Status One \(SIST1\)](#) instead of being stacked behind another interrupt. When another condition occurs that generates an interrupt, the bit corresponding to the earlier masked nonfatal interrupt is still set.

A related situation to interrupt stacking is when two interrupts occur simultaneously. Since stacking does not occur until the SIP or DIP bits are set, there is a small timing window in which multiple interrupts can occur but are not stacked. These could be multiple SCSI interrupts (SIP set), multiple DMA interrupts (DIP set), or multiple SCSI and multiple DMA interrupts (both SIP and DIP set).

As previously mentioned, DMA interrupts do not attempt to flush the FIFOs before generating the interrupt. It is important to set either the Clear DMA FIFO (CLF) and Clear SCSI FIFO (CSF) bits if a DMA interrupt occurs and the DMA FIFO Empty (DFE) bit is not set. This is because any future SCSI interrupts are not posted until the DMA FIFO is cleared of data. These “locked out” SCSI interrupts are posted as soon as the DMA FIFO is empty.

#### **2.2.10.6 Halting in an Orderly Fashion**

When an interrupt occurs, the LSI53C876 attempts to halt in an orderly fashion.

- If the interrupt occurs in the middle of an instruction fetch, the fetch is completed, except in the case of a Bus Fault. Execution does not begin, but the [DMA SCRIPTS Pointer \(DSP\)](#) points to the next instruction since it is updated when the current instruction is fetched.
- If the DMA direction is a write to memory and a SCSI interrupt occurs, the LSI53C876 attempts to flush the DMA FIFO to memory before halting. Under any other circumstances only the current cycle is completed before halting, so the DFE bit in [DMA Status \(DSTAT\)](#) register should be checked to see if any data remains in the DMA FIFO.
- SCSI SREQ/SACK handshakes that have begun are completed before halting.
- The LSI53C876 attempts to clean up any outstanding synchronous offset before halting.
- In the case of Transfer Control Instructions, once instruction execution begins it continues to completion before halting.
- If the instruction is a JUMP/CALL WHEN/IF <phase>, the [DMA SCRIPTS Pointer \(DSP\)](#) is updated to the transfer address before halting.
- All other instructions may halt before completion.

### 2.2.10.7 Sample Interrupt Service Routine

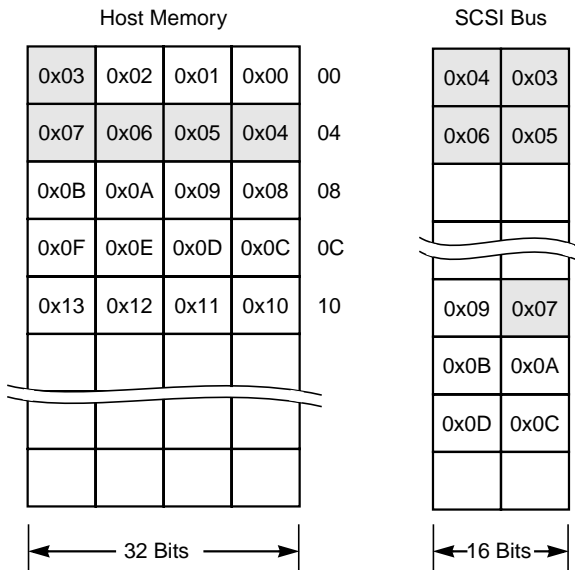
The following is a sample of an interrupt service routine for the LSI53C876. It can be repeated if polling is used, or should be called when the INTA/ (or INTB/) pin is asserted during hardware interrupts.

1. Read [Interrupt Status \(ISTAT\)](#).
2. If the INTF bit is set, it must be written to a one to clear this status.
3. If only the SIP bit is set, read [SCSI Interrupt Status Zero \(SIST0\)](#) and [SCSI Interrupt Status One \(SIST1\)](#) to clear the SCSI interrupt condition and get the SCSI interrupt status. The bits in the SIST0 and SIST1 tell which SCSI interrupts occurred and determine what action is required to service the interrupts.
4. If only the DIP bit is set, read the [DMA Status \(DSTAT\)](#) to clear the interrupt condition and get the DMA interrupt status. The bits in the DSTAT tells which DMA interrupts occurred and determine what action is required to service the interrupts.
5. If both the SIP and DIP bits are set, read [SCSI Interrupt Status Zero \(SIST0\)](#), [SCSI Interrupt Status One \(SIST1\)](#), and [DMA Status \(DSTAT\)](#) to clear the SCSI and DMA interrupt condition and get the interrupt status. If using 8-bit reads of the SIST0, SIST1, and DSTAT registers to clear interrupts, insert a 12 CLK delay between the consecutive reads to ensure that the interrupts clear properly. Both the SCSI and DMA interrupt conditions should be handled before leaving the interrupt service routine. It is recommended that the DMA interrupt is serviced before the SCSI interrupt, because a serious DMA interrupt condition could influence how the SCSI interrupt is acted upon.
6. When using polled interrupts, go back to Step 1 before leaving the interrupt service routine, in case any stacked interrupts moved in when the first interrupt was cleared. When using hardware interrupts, the INTA/ (or INTB/) pin is asserted again if there are any stacked interrupts. This should cause the system to re-enter the interrupt service routine.

## 2.2.11 Chained Block Moves

Since the LSI53C876 has the capability to transfer 16-bit wide SCSI data, a unique situation occurs when dealing with odd bytes. The chained move (CHMOV) SCRIPTS instruction along with the Wide SCSI Send (WSS) and Wide SCSI Receive (WSR) bits in the [SCSI Control Two \(SCNTL2\)](#) register are used to facilitate these situations. The Chained Block Move instruction is illustrated in [Figure 2.8](#).

**Figure 2.8 Block Move and Chained Block Move Instructions**



CHMOV 5, 3 when Data\_Out

Moves five bytes from address 0x03 in the host memory to the SCSI bus. Bytes 0x03, 0x04, 0x05, and 0x06 are moved and byte 0x07 remains in the low-order byte of the [SCSI Output Data Latch \(SODL\)](#) register and is combined with the first byte of the following MOVE instruction.

Move 5, 9 when Data\_Out

Moves five bytes from address 0x09 in the host memory to the SCSI bus.

### 2.2.11.1 Wide SCSI Send Bit

The WSS bit is set whenever the SCSI controller is sending data (Data-Out for initiator or Data-In for target), and the controller detects a partial transfer at the end of a chained Block Move SCRIPTS instruction (this flag is not set if a normal Block Move instruction is used). Under this condition, the SCSI controller does not send the low-order byte of the last partial memory transfer across the SCSI bus. Instead, the low-order byte is temporarily stored in the lower byte of the [SCSI Output Data Latch \(SODL\)](#) register and the WSS flag is set. The hardware uses the WSS flag to determine what behavior must occur at the start of the next data send transfer. When the WSS flag is set at the start of the next transfer, the first byte (the high-order byte) of the next data send transfer is “married” with the stored low-order byte in the [SCSI Output Data Latch \(SODL\)](#) register; and the two bytes are sent out across the bus, regardless of the type of Block Move instruction (normal or chained). The flag is automatically cleared when the “married” word is sent. The flag is alternately cleared through SCRIPTS or by the microprocessor. Also, the microprocessor or SCRIPTS can use this bit for error detection and recovery purposes.

### 2.2.11.2 Wide SCSI Receive Bit

The WSR bit is set whenever the SCSI controller is receiving data (Data-In for initiator or Data-Out for target) and the controller detects a partial transfer at the end of a block move or chained block move SCRIPTS instruction. When WSR is set, the high order byte of the last SCSI bus transfer is not transferred to memory. Instead, the byte is temporarily stored in the [SCSI Wide Residue \(SWIDE\)](#) register. The hardware uses the WSR bit to determine what behavior must occur at the start of the next data receive transfer. The bit is automatically cleared at the start of the next data receive transfer. The bit can alternatively be cleared by the microprocessor or through SCRIPTS. Also, the microprocessor or SCRIPTS can use this bit for error detection and recovery purposes.

### 2.2.11.3 SWIDE Register

This register stores data for partial byte data transfers. For receive data, the [SCSI Wide Residue \(SWIDE\)](#) register holds the high-order byte of a partial SCSI transfer that has not yet been transferred to memory. This

stored data may be a residue byte (and therefore ignored) or it may be valid data that is transferred to memory at the beginning of the next Block Move instruction.

#### 2.2.11.4 SODL Register

For send data, the low-order byte of the [SCSI Output Data Latch \(SODL\)](#) register holds the low-order byte of a partial memory transfer which has not yet been transferred across the SCSI bus. This stored data is usually “married” with the first byte of the next data send transfer, and both bytes are sent across the SCSI bus at the start of the next data send block move command.

#### 2.2.11.5 Chained Block Move SCRIPTS Instruction

A chained Block Move SCRIPTS instruction is primarily used to transfer consecutive data send or data receive blocks. Using the chained Block Move instruction facilitates partial receive transfers and allows correct partial send behavior without additional opcode overhead. Behavior of the chained Block Move instruction varies slightly for sending and receiving data.

For receive data (Data-In for initiator or Data-Out for target), a chained Block Move instruction indicates that if a partial transfer occurred at the end of the instruction, the WSR flag is set. The high-order byte of the last SCSI transfer is stored in the [SCSI Wide Residue \(SWIDE\)](#) register rather than transferred to memory. The contents of the [SCSI Wide Residue \(SWIDE\)](#) register should be the first byte transferred to memory at the start of the chained Block Move data stream. Since the byte count always represents data transfers to/from memory (as opposed to the SCSI bus), the byte transferred out of the [SCSI Wide Residue \(SWIDE\)](#) register is one of the bytes in the byte count. If the WSR bit is cleared when a receive data chained Block Move instruction is executed, the data transfer occurs similar to that of the regular Block Move instruction. Whether the WSR bit is set or cleared, when a normal block move instruction is executed, the contents of the [SCSI Wide Residue \(SWIDE\)](#) register are ignored and the transfer takes place normally. For “N” consecutive wide data receive Block Move instructions, the 2nd through the Nth Block Move instructions should be chained block moves.



For send data (Data-Out for initiator or Data-In for target), a chained Block Move instruction indicates that if a partial transfer terminates the chained block move instruction, the last low-order byte (the partial memory transfer) should be stored in the lower byte of the [SCSI Output Data Latch \(SODL\)](#) register and not sent across the SCSI bus. Without the chained Block Move instruction, the last low-order byte would be sent across the SCSI bus. The starting byte count represents data bytes transferred from memory but not to the SCSI bus when a partial transfer exists. For example, if the instruction is an Initiator chained Block Move Data Out of five bytes (and WSS is not previously set), five bytes are transferred out of memory to the SCSI controller, four bytes are transferred from the SCSI controller across the SCSI bus, and one byte is temporarily stored in the lower byte of the [SCSI Output Data Latch \(SODL\)](#) register waiting to be married with the first byte of the next Block Move instruction. Regardless of whether a chained Block Move or normal Block Move instruction is used, if the WSS bit is set at the start of a data send command, the first byte of the data send command is assumed to be the high-order byte and is “married” with the low-order byte stored in the stored in the lower byte of the [SCSI Output Data Latch \(SODL\)](#) register before the two bytes are sent across the SCSI bus. For “N” consecutive wide data send Block Move commands, the first through the (Nth – 1) Block Move instructions should be Chained Block Moves.

---

## 2.3 Parallel ROM Interface

The LSI53C876 supports up to one megabyte of external memory in binary increments from 16 Kbytes, to allow the use of expansion ROM for add-in PCI cards. Both functions of the device share the ROM interface. This interface is designed for low speed operations such as downloading instruction code from ROM; it is not intended for dynamic activities such as executing instructions.

System requirements include the LSI53C876, two or three external 8-bit address holding registers (HCT273 or HCT374), and the appropriate memory device. The 4.7 k $\Omega$  pull-down resistors on the MAD bus require HC or HCT external components to be used. If in-system Flash ROM updates are required, a 7406 (high voltage open collector inverter), a MTD4P05, and several passive components are also needed. The memory size and speed is determined by pull-down resistors on the 8-bit bidirectional memory bus at power-up. The LSI53C876 senses this

bus shortly after the release of the Reset signal and configures the ROM Base Address register and the memory cycle state machines for the appropriate conditions.

The external memory interface works with a variety of ROM sizes and speeds. An example set of interface drawings is in [Appendix B, “External Memory Interface Diagram Examples.”](#)

The LSI53C876 supports a variety of sizes and speeds of expansion ROM, using pull-down resistors on the MAD[3:0] pins. The encoding of pins MAD[3:1] allows the user to define how much external memory is available to the LSI53C876. [Table 2.6](#) shows the memory space associated with the possible values of MAD[3:1]. The MAD[3:1] pins are fully defined in [Chapter 3, “Signal Descriptions.”](#)

**Table 2.6 Parallel ROM Support**

MAD[3:1]	Available Memory Space
000	16 Kbytes
001	32 Kbytes
010	64 Kbytes
011	128 Kbytes
100	256 Kbytes
101	512 Kbytes
110	1024 Kbytes
111	No external memory present

To use one of the configurations mentioned above in a host adapter board design, put 4.7 kΩ pull-down resistors on the MAD pins corresponding to the available memory space. For example, to connect to a 32 Kbytes external ROM, use pull-downs on MAD[3] and MAD[2]. If the external memory interface is not used, then no external resistors are necessary since there are internal pull-ups on the MAD bus. The internal pull-up resistors are disabled when external pull-down resistors are detected, to reduce current drain.

The LSI53C876 allows the system to determine the size of the available external memory using the [Expansion ROM Base Address](#) register in PCI configuration space. For more information on how this works, refer to the PCI specification or the [Expansion ROM Base Address](#) register description in [Chapter 4, “Registers.”](#)

MAD[0] is the slow ROM pin. When pulled down, it enables two extra clock cycles of data access time to allow use of slower memory devices. The external memory interface also supports updates to Flash memory.

---

## 2.4 Serial EEPROM Interface

The LSI53C876 implements an interface that allows attachment of a serial EEPROM device to the GPIO0 and GPIO1 pins for each SCSI function. There are several modes of operation. These relate to the serial EEPROM and the [Subsystem ID](#) register and [Subsystem Vendor ID](#) register for each SCSI function. These modes are programmable through the MAD6 and MAD7 pins which are sampled at power-up or hard reset.

### 2.4.1 Mode A Operation

No pull-down on MAD6, no pull-down on MAD7. In this mode, GPIO0 is the serial data signal (SDA) and GPIO1 is the serial clock signal (SCL). Certain data in the serial EEPROM is automatically loaded into chip registers at power-up or hard reset.

The format of the serial EEPROM data is defined in [Table 2.7](#). If the EEPROM is not present, or the checksum fails, the [Subsystem ID](#) and [Subsystem Vendor ID](#) registers read back all zeros. At power-up or hard reset, only five bytes are loaded into the chip from locations 0x00 through 0x04.

The [Subsystem ID](#) and [Subsystem Vendor ID](#) registers are read only, in accordance with the PCI specification, with a default value of all zeros.

**Table 2.7 Mode A Serial EEPROM Data Format**

Byte	Name	Description
0x00	SVID(0)	<a href="#">Subsystem Vendor ID</a> , LSB. This byte is loaded into the least significant byte of the <a href="#">Subsystem Vendor ID</a> register in the appropriate PCI configuration space at chip power-up or hard reset.
0x01	SVID(1)	<a href="#">Subsystem Vendor ID</a> , MSB. This byte is loaded into the most significant byte of the <a href="#">Subsystem Vendor ID</a> register in the appropriate PCI configuration space at chip power-up or hard reset.
0x02	SID(0)	<a href="#">Subsystem ID</a> , LSB. This byte is loaded into the least significant byte of the <a href="#">Subsystem ID</a> register in the appropriate PCI configuration space at chip power-up or hard reset.
0x03	SID(1)	<a href="#">Subsystem ID</a> , MSB. This byte is loaded into the most significant byte of the <a href="#">Subsystem ID</a> register in the appropriate PCI configuration space at chip power-up or hard reset.
0x04	CKSUM	Checksum. This 8-bit checksum is formed by adding, bitwise, each byte contained in locations 0x00–0x03 to the seed value 0x55, and then taking the 2's complement of the result.
0x05–0xFF	RSV	Reserved.
0x100–EOM	UD	User Data.

## 2.4.2 Mode B Operation

A 4.7 K pull-down on MAD6, no pull-down on MAD7. In this mode, GPIO0 and GPIO1 are each defined as either the SDA or the SCL, since both pins are controlled through software.

No data is automatically loaded into chip registers at power-up or hard reset. The [Subsystem ID](#) register and [Subsystem Vendor ID](#) register are read/write, in violation of the PCI specification, with a default value of all zero's.

## 2.4.3 Mode C Operation

A 4.7 K pull-down on MAD6, and a 4.7 K pull-down on MAD7. In this mode, GPIO1 is the SDA and GPIO0 is the SCL. Certain data in the serial EEPROM is automatically loaded into chip registers at power-up or hard reset.

The format of the serial EEPROM data is defined in [Table 2.8](#). If the EEPROM is not present, or the checksum fails, the [Subsystem ID](#) and [Subsystem Vendor ID](#) registers read back all zeros. At power-up or hard reset, only five bytes are loaded into the chip from locations 0xFB through 0xFF.

The [Subsystem ID](#) and [Subsystem Vendor ID](#) registers are read only, in accordance with the PCI specification, with a default value of all zeros.

Before implementing Mode C, contact LSI Logic for additional information.

**Table 2.8 Mode C Serial EEPROM Data Format**

Byte	Name	Description
0x00–0xFA	UD0	User Data.
0xFB	SVID(0)	<a href="#">Subsystem Vendor ID</a> , LSB. This byte is loaded into the least significant byte of the <a href="#">Subsystem Vendor ID</a> register in the appropriate PCI configuration space at chip power-up or hard reset.
0xFC	SVID(1)	<a href="#">Subsystem Vendor ID</a> , MSB. This byte is loaded into the most significant byte of the <a href="#">Subsystem Vendor ID</a> register in the appropriate PCI configuration space at chip power-up or hard reset.
0xFD	SID(0)	<a href="#">Subsystem ID</a> , LSB. This byte is loaded into the least significant byte of the <a href="#">Subsystem ID</a> register in the appropriate PCI configuration space at chip power-up or hard reset.
0xFE	SID(1)	<a href="#">Subsystem ID</a> , MSB. This byte is loaded into the most significant byte of the <a href="#">Subsystem ID</a> register in the appropriate PCI configuration space at chip power-up or hard reset.
0xFF	CKSUM	Checksum. This 8-bit checksum is formed by adding, bitwise, each byte contained in locations 0x00–0x03 to the seed value 0x55, and then taking the 2's complement of the result.
0x100–EOM	UD	User Data.

## 2.4.4 Mode D Operation

No pull-down on MAD6, and a 4.7 K pull-down on MAD7. The [Subsystem ID](#) and the [Subsystem Vendor ID](#) are automatically set to 0x1000. This allows the OEM to have a non-zero value in the registers without requiring a serial EEPROM on the board.

---

## 2.5 Power Management

The LSI53C876E complies with the PCI Bus Power Management Interface Specification, Revision 1.0. The PCI Function Power States D0, D1, D2, and D3 are defined in that specification.

D0 is the maximum powered state, and D3 is the minimum powered state. Power state D3 is further categorized as D3hot or D3cold.

The LSI53C876E power states shown in [Table 2.9](#) are independently controlled through two power state bits that are located in the PCI Configuration Space register 0x44.

**Table 2.9 Power States**

Configuration Register 0x44 Bits [1:0]	Power State	Function
00	D0	Maximum Power
01	D1	Disables SCSI clock
10	D2	Coma Mode
11	D3	Minimum Power

Although the PCI Bus Power Management Interface Specification does not allow power state transitions D2 to D1, D3 to D2, or D3 to D1, the LSI53C876E hardware places no restriction on transitions between power states.

As the device transitions from one power level to a lower one, the attributes that occur from the higher power state level are carried over into the lower power state level. For example, D1 disables the SCSI CLK. Therefore, D2 will include this attribute as well as the attributes defined

in the Power State D2 section. The PCI Function Power States D0, D1, D2, and D3 are described below. Power state actions are separate for each function.

### 2.5.1 Power State D0

Power state D0 is the maximum power state and is the power-up default state for each function.

### 2.5.2 Power State D1

Power state D1 is a lower power state than D0. In this state, the LSI53C876 core is placed in the snooze mode and the SCSI CLK is disabled. In the snooze mode, a SCSI reset does not generate an /IRQ signal. However, by setting the Wakeup Interrupt Enable bit (bit 3 in the [SCSI Interrupt Enable One \(SIEN1\)](#) register), then a SCSI reset generates an /IRQ signal, but SCSI CLK is still disabled.

### 2.5.3 Power State D2

Power state D2 is a lower power state than D1. In this state, the LSI53C876 core is placed in the coma mode. The following PCI Configuration Space command register enable bits are suppressed:

- I/O Space Enable
- Memory Space Enable
- Bus Mastering Enable
- SERR
- PERR

Thus, the memory and I/O spaces cannot be accessed, and the LSI53C876 cannot be a PCI bus master. Furthermore, SCSI and DMA interrupts are disabled when in power state D2. If changed from power state D2 to power state D1 or D0, the previous values of the PCI [Command](#) register are restored. Also, any pending interrupts before the function entered power state D2 are asserted.

## 2.5.4 Power State D3

Power state D3 is the minimum power state, which includes subsettings called D3hot and D3cold. D3hot allows the device to transition to D0 using software. The LSI53C876E is considered to be in power state D3cold when power is removed from the device. D3cold can transition to D0 by applying  $V_{CC}$  and resetting the device.

Power state D3 is a lower power level than power state D2. In this state, the LSI53C876 core is placed in the coma mode. Furthermore, the function's soft reset is continually asserted while in power state D3, which clears all pending interrupts and 3-states the SCSI bus. In addition, the device's PCI [Command](#) register is cleared. If both LSI53C876E functions are placed in power state D3, the Phase Lock Loop (PLL) is disabled, which results in further power savings.



# Chapter 3

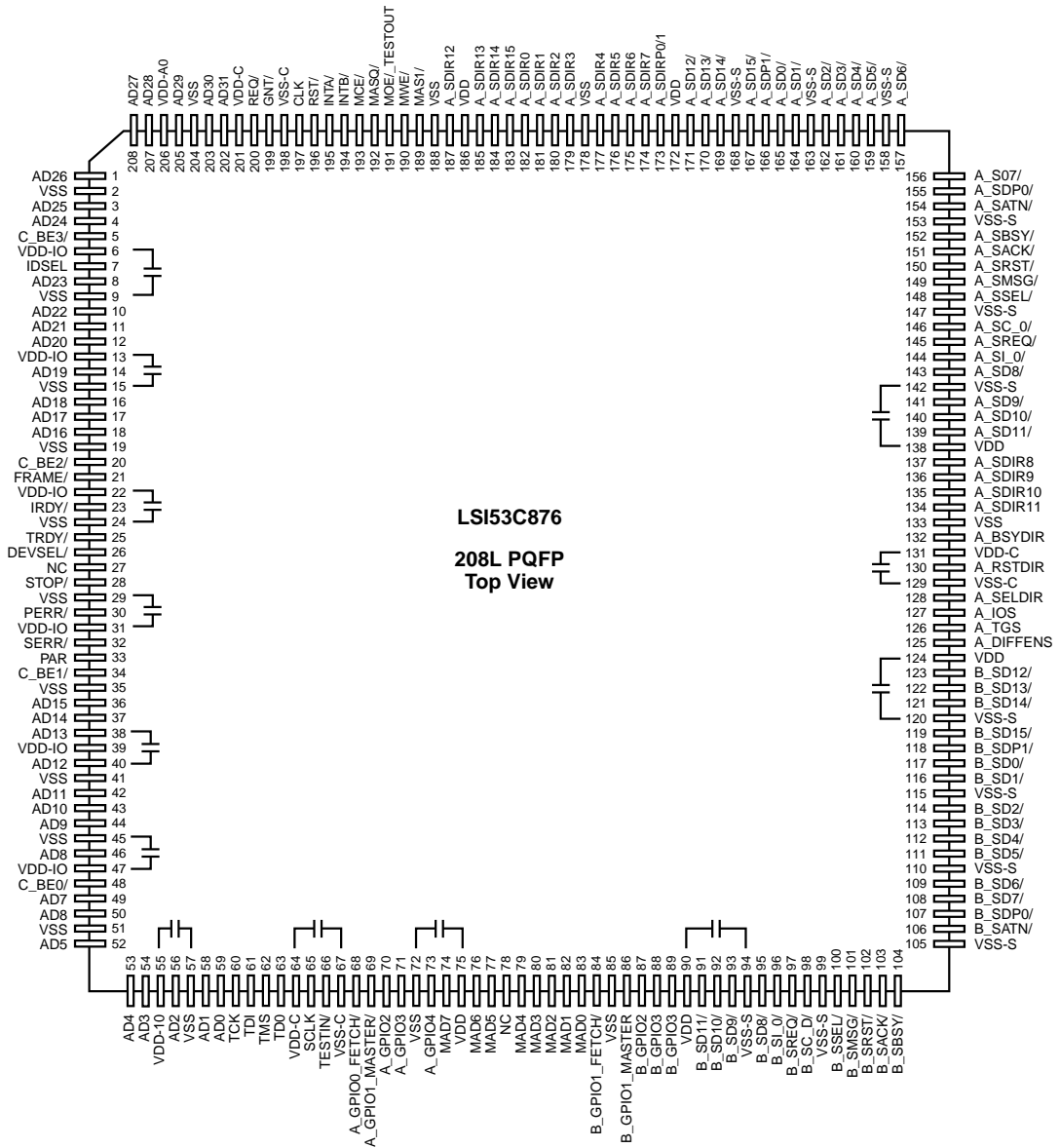
## Signal Descriptions

---

This chapter presents the LSI53C876 pin configuration and signal definitions using tables and illustrations. [Figure 3.1](#) and [Figure 3.2](#) are the pin diagrams for all versions of the LSI53C876 and [Figure 3.3](#) is the functional signal grouping. The pin definitions are presented in [Table 3.1](#) through [Table 3.16](#). This chapter is divided into the following sections:

- [Section 3.1, "PCI Interface Signals"](#)
- [Section 3.2, "SCSI Bus Interface Signals"](#)
- [Section 3.3, "ROM/Flash Interface Signals"](#)
- [Section 3.4, "Test Interface Signals"](#)
- [Section 3.5, "Power and Ground Signals"](#)
- [Section 3.6, "MAD Bus Programming"](#)

**Figure 3.1 LSI53C876 208-Pin PQFP Diagram**

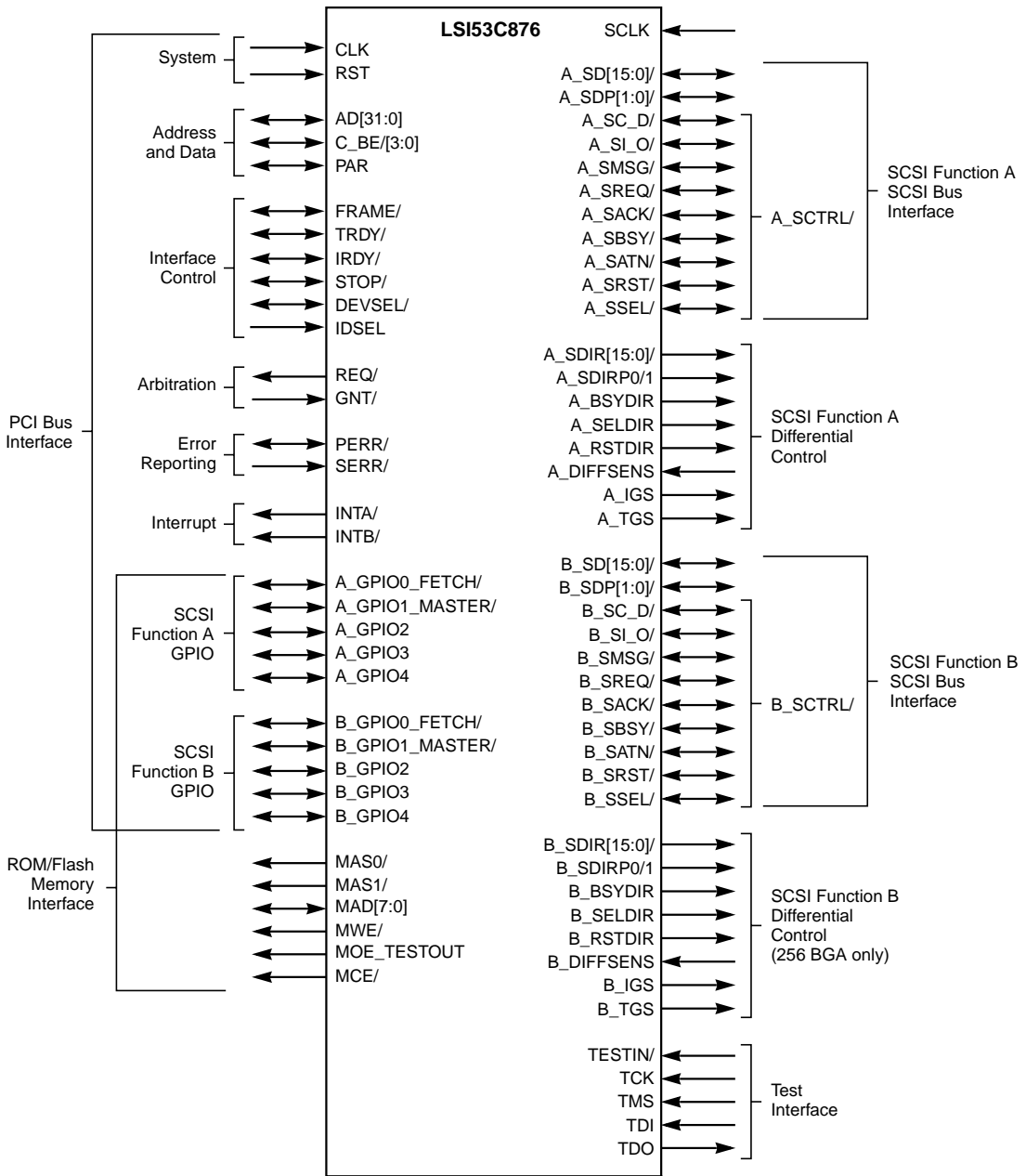


Note: NC pins are not connected.

**Figure 3.2 LSI53C876 256-Ball BGA Diagram (Top View)**

A1	A2	A3	A4	A5	A6	A7	A8	A9	A10	A11	A12	A13	A14	A15	A16	A17	A18	A19	A20
VSS	AD27	AD30	REQ/	RST/	MCE/	MWE/	B_IGS	B_SDIR13	VDD	A_SDIR13	A_SDIR0	A_SDIR4	A_SDIR7	A_SD12/	A_SDP1/	A_SD2	A_SD3	A_SD6/	A_SD7/
B1	B2	B3	B4	B5	B6	B7	B8	B9	B10	B11	B12	B13	B14	B15	B16	B17	B18	B19	B20
AD26	AD28	VDD-IO	AD31	GNT/	INTA/	MOE/_TO	MAS1/	VDD	A_SDIR12	A_SDIR15	A_SDIR1	A_SDIR5	A_DIRP0/1	A_SD13/	A_SD0/	A_SD4/	A_SD5	A_SDP0/	A_SATN/
C1	C2	C3	C4	C5	C6	C7	C8	C9	C10	C11	C12	C13	C14	C15	C16	C17	C18	C19	C20
AD24	VSS	NC	AD29	VDD-C	VSS-C	INTB/	MAS0/	B_SDIR12	B_SDIR15	A_SDIR14	A_SDIR2	A_SDIR6	VDD	A_SD15/	A_SD1/	NC	NC	A_SBSY/	A_SRST/
D1	D2	D3	D4	D5	D6	D7	D8	D9	D10	D11	D12	D13	D14	D15	D16	D17	D18	D19	D20
C_BE3/	AD25	NC	VSS	VSS	NC	CLK	VSS	B_TGS	B_SDIR14	NC	A_SDIR3	VSS	A_SD14/	NC	NC	VSS	NC	A_SMSG/	A_SC_D/
E1	E2	E3	E4													E17	E18	E19	E20
AD23	IDSEL	VDD-IO	NC													A_SACK/	A_SSEL/	A_SREQ/	A_SD9/
F1	F2	F3	F4													F17	F18	F19	F20
AD21	AD22	VSS	NC													NC	A_SI_O/	A_SD10/	VDD
G1	G2	G3	G4													G17	G18	G19	G20
AD19	VDD-IO	AD20	NC													A_SD8/	A_SD11/	A_SDIR8	A_SDIR9
H1	H2	H3	H4													H17	H18	H19	H20
AD17	AD18	VSS	VSS													VSS	A_SDIR10	A_SDIR11	A_BSYDIR
J1	J2	J3	J4													J17	J18	J19	J20
FRAME/	C_BE2/	VSS	AD16													VDD-C	A_RSTDIR	VSS-C	A_SELDIR
K1	K2	K3	K4													K17	K18	K19	K20
VSS	VDD-IO	IRDY/	NC													A_IGS	A_TGS	A_DIFSEN	VDD
L1	L2	L3	L4													L17	L18	L19	L20
TRDY/	DEVSEL/	NC	STOP/													NC	B_SDIR1	B_SDIR2	B_SDIR0
M1	M2	M3	M4													M17	M18	M19	M20
VSS	PERR/	VDD-IO	SERR/													B_SDIR6	B_SDIR5	B_SDIR4	B_SDIR3
N1	N2	N3	N4													N17	N18	N19	N20
PAR	C_BE1/	VSS	VSS													VSS	VDD	B_DIRP0/1	B_SDIR7
P1	P2	P3	P4													P17	P18	P19	P20
AD15	AD14	VDD-IO	AD11													B_SD0/	B_SD14/	B_SD13/	B_SD12/
R1	R2	R3	R4													R17	R18	R19	R20
AD13	AD12	AD10	NC													NC	B_SD1/	B_SDP1/	B_SD15/
T1	T2	T3	T4													T17	T18	T19	T20
VSS	AD9	AD8	NC													NC	B_SD4/	B_SD3/	B_SD2/
U1	U2	U3	U4	U5	U6	U7	U8	U9	U10	U11	U12	U13	U14	U15	U16	U17	U18	U19	U20
VSS	VDD-IO	NC	VSS	VSS	NC	VDD-C	VSS	MAD7	NC	B_GPIO0	B_GPIO4	VSS	VDD	NC	B_SC_D/	VSS	NC	B_SD7/	B_SD5
V1	R2	R3	R4	R5	R6	R7	R8	R9	R10	R11	R12	R13	R14	R15	R16	R17	R18	R19	R20
C_BE0/	AD7	NC	AD2	TCK	VDD-C	VSS-C	A_GPIO2	VDD	MAD4	MAD0	B_GPIO3	B_RSTDIR	B_SDIR9	B_SD11/	B_SD8/	B_SSEL/	NC	B_SDP0/	B_SD6/
W1	R2	R3	R4	R5	R6	R7	R8	R9	R10	R11	R12	R13	R14	R15	R16	R17	R18	R19	R20
AD6	VSS	AD4	VDD-IO	TDI	SCLK	A_GPIO0	A_GPIO3	MAD6	NC	MAD1	B_GPIO2	B_SELDIR	B_SDIR11	B_SDIR8	B_SD10/	B_SI_O/	B_SMSO/	B_SACK/	b-SATN/
Y1	R2	R3	R4	R5	R6	R7	R8	R9	R10	R11	R12	R13	R14	R15	R16	R17	R18	R19	R20
AD5	AD3	AD1	AD0	TMS	TESTIN/	A_GPIO1	A_GPIO4	MAD5	MAD3	MAD2	B_GPIO1	VDD	B_BSYDIR	B_SDIR10	B_DIFSEN	B_SD9/	B_SREQ/	B_SRST/	B_SBSY/

**Figure 3.3 LSI53C876 Functional Signal Grouping**



The LSI53C876 signals are divided into three primary interfaces:

- PCI Interface
- SCSI Interface
- ROM/Flash Memory Interface

A slash (/) at the end of the signal name indicates that the active state occurs when the signal is at a LOW voltage. When the slash is absent, the signal is active at a HIGH voltage.

There are five signal type definitions:

- I** Input, a standard input only signal.
- O** Output, a standard output driver (typically a Totem Pole Output).
- I/O** Input and output (bidirectional).
- T/S** 3-state, a bidirectional, 3-state input/output signal.
- S/T/S** Sustained 3-state, an active LOW 3-state signal owned and driven by one and only one agent at a time.

---

## 3.1 PCI Interface Signals

The PCI interface signals are organized into the following functional groups: [System Signals](#), [Address and Data Signals](#), [Interface Control Signals](#), [Arbitration Signals](#), [Error Reporting Signals](#), [PCI Interrupt Signals](#), and [GPIO Interface Signals](#).

### 3.1.1 System Signals

[Table 3.1](#) describes the signals for the System Signals group.

**Table 3.1 System Signals**

Name	Pin No.	Type	Strength	Description
CLK	197, D7	I	N/A	<b>Clock</b> provides timing for all transactions on the PCI bus and is an input to every PCI device. All other PCI signals are sampled on the rising edge of CLK, and other timing parameters are defined with respect to this edge. Clock can optionally serve as the SCSI core clock, but this may effect fast SCSI transfer rates.
RST/	196, A5	I	N/A	<b>Reset</b> forces the PCI sequencer of each device to a known state. All T/S and S/T/S signals are forced to a high impedance state, and all internal logic is reset. The RST/ input is synchronized internally to the rising edge of CLK. The CLK input must be active while RST/ is active to properly reset the device.

### 3.1.2 Address and Data Signals

Table 3.2 describes the signals for the Address and Data Signals group.

**Table 3.2 Address and Data Signals**

Name	Pin No.	Type	Strength	Description
AD[31:0]	202, 203, 205, 207, 208, 1, 3, 4, 8, 10, 11, 12, 14, 16, 17, 18, 36, 37, 38, 40, 42, 43, 44, 46, 49, 50, 52, 53, 54, 56, 58, 59 B4, A3, C4, B2, A2, B1, D2, C1, E1, F2, F1, G3, G1, H2, H1, J4, P1, P2, R1, R2, P4, R3, T2, T3, V2, W1, Y1, W3, Y2, V4, Y3, Y4	T/S	16 mA PCI	Physical Dword <b>Address and Data</b> are multiplexed on the same PCI pins. During the first clock of a transaction, AD[31:0] contain a physical byte address. During subsequent clocks, AD[31:0] contain data. A bus transaction consists of an address phase followed by one or more data phases. PCI supports both read and write bursts. AD[7:0] define the least significant byte, and AD[31:24] define the most significant byte.
C_BE/[3:0]	5, 20, 34, 48 D1, J2, N2, V1	T/S	16 mA PCI	Bus <b>Command and Byte Enables</b> are multiplexed on the same PCI pins. During the address phase of a transaction, C_BE/[3:0] define the bus command. During the data phase, C_BE/[3:0] are used as byte enables. The byte enables determine which byte lanes carry meaningful data. C_BE[0] applies to byte 0, and C_BE[3] to byte 3.
PAR	33, N1	T/S	16 mA PCI	<b>Parity</b> is the even parity bit that protects the AD[31:0] and C_BE/[3:0] lines. During address phase, both the address and command bits are covered. During data phase, both data and byte enables are covered.

### 3.1.3 Interface Control Signals

Table 3.3 describes the signals for the Interface Control Signals group.

**Table 3.3 Interface Control Signals**

Name	Pin No.	Type	Strength	Description
FRAME/	21, J1	S/T/S	16 mA PCI	<b>Cycle Frame</b> is driven by the current master to indicate the beginning and duration of an access. FRAME/ is asserted to indicate that a bus transaction is beginning. While FRAME/ is deasserted, either the transaction is in the final data phase or the bus is idle.
TRDY/	25, L1	S/T/S	16 mA PCI	<b>Target Ready</b> indicates the target agent's (selected device's) ability to complete the current data phase of the transaction. TRDY/ is used with IRDY/. A data phase is completed on any clock when used with IRDY/. A data phase is completed on any clock when both TRDY/ and IRDY/ are sampled asserted. During a read, TRDY/ indicates that valid data is present on AD[31:0]. During a write, it indicates that the target is prepared to accept data. Wait cycles are inserted until both IRDY/ and TRDY/ are asserted together.
IRDY/	23, K3	S/T/S	16 mA PCI	<b>Initiator Ready</b> indicates the initiating agent's (bus master's) ability to complete the current data phase of the transaction. IRDY/ is used with TRDY/. A data phase is completed on any clock when both IRDY/ and TRDY/ are sampled asserted. During a write, IRDY/ indicates that valid data is present on AD[31:0]. During a read, it indicates that the master is prepared to accept data. Wait cycles are inserted until both IRDY/ and TRDY/ are asserted together.
STOP/	28, L4	S/T/S	16 mA PCI	<b>Stop</b> indicates that the selected target is requesting the master to stop the current transaction.
DEVSEL/	26, L2	S/T/S	16 mA PCI	<b>Device Select</b> indicates that the driving device has decoded its address as the target of the current access. As an input, it indicates to a master whether any device on the bus has been selected.
IDSEL	7, E2	I	N/A	<b>Initialization Device Select</b> is used as a chip select in place of the upper 24 address lines during configuration read and write transactions.



### 3.1.4 Arbitration Signals

Table 3.4 describes the signals for the Arbitration Signals group.

**Table 3.4 Arbitration Signals**

Name	Pin No.	Type	Strength	Description
REQ/	200, A4	O	16 mA PCI	<b>Request</b> indicates to the system arbiter that this agent desires use of the PCI bus. Both SCSI functions share the GNT/ signal.
GNT/	199, B5	I	N/A	<b>Grant</b> indicates to the agent that access to the PCI bus has been granted. Both SCSI functions share the GNT/ signal.

### 3.1.5 Error Reporting Signals

Table 3.5 describes the signals for the Error Reporting Signals group.

**Table 3.5 Error Reporting Signals**

Name	Pin No.	Type	Strength	Description
PERR/	30, M2	S/T/S	16 mA PCI	<b>Parity Error</b> may be pulsed active by an agent that detects a data parity error. PERR/ can be used by any agent to signal data corruption. However, on detection of a PERR/ pulse, the central resource may generate a nonmaskable interrupt to the host CPU, which often implies the system is unable to continue operation once error processing is complete.
SERR/	32, M4	O	16 mA PCI	<b>System Error</b> is an open drain output is used to report address parity errors.

### 3.1.6 PCI Interrupt Signals

Table 3.6 describes the signals PCI Interrupt Signals group.

**Table 3.6 PCI Interrupt Signals**

Name	Pin No.	Type	Strength	Description
INTA/	195, B6	O	16 mA PCI	<b>Interrupt Function A.</b> This signal, when asserted LOW, indicates an interrupting condition in SCSI Function A and that service is required from the host CPU. The output drive of this pin is open drain with an internal weak pull-up. If the SCSI Function B interrupt is rerouted at power-up using the INTA/ enable sense resistor (pull-down on MAD4), then this signal indicates an interrupt in either SCSI Function A or SCSI Function B.
INTB/	194, C7	O	16 mA PCI	<b>Interrupt Function B.</b> This signal, when asserted LOW, indicates an interrupting condition in SCSI Function B and that service is required from the host CPU. The output drive of this pin is open drain with an internal weak pull-up. This interrupt can be rerouted at power-up using the INTA/ enable sense resistor (pull-down on MAD4). This causes the LSI53C876 to program the SCSI Function B PCI register Interrupt Pin (3D) to 0x01.

### 3.1.7 GPIO Interface Signals

Table 3.7 describes the signals for the SCSI GPIO Function A Signals group.

**Table 3.7 SCSI GPIO Function A Signals**

Name	Pin No.	Type	Strength	Description
A_GPIO0_FETCH/	68, W7	I/O	16 mA	<b>SCSI Function A General Purpose I/O pin 0.</b> Optionally, when driven LOW, indicates that the next bus request is for an opcode fetch. This pin is programmable at power-up through the MAD[7:6] pins to serve as either the data or clock signal for the serial EEPROM interface.
A_GPIO1_MASTER/	69, Y7	I/O	16 mA	<b>SCSI Function A General Purpose I/O pin 1.</b> Optionally, when driven LOW, indicates that the LSI53C876 is bus master. This pin is programmable at power-up through the MAD[7:6] pins to serve as either the data or clock signal for the serial EEPROM interface.
A_GPIO2	70, V8	I/O	16 mA	<b>SCSI Function A General Purpose I/O pin 2.</b> This pin is a general purpose I/O pin that powers up as an input.
A_GPIO3	71, W8	I/O	16 mA	<b>SCSI Function A General Purpose I/O pin 3.</b> A_GPIO3 powers up as an input. Currently our drivers use A_GPIO3 as a means to detect DiffSense.
A_GPIO4	73, Y8	I/O	16 mA	<b>SCSI Function A General Purpose I/O pin 4.</b> A_GPIO4 powers up as an output. It can be used as the enable line for VPP, the 12 V power supply to the external Flash memory interface.

Table 3.8 describes the signals for the SCSI GPIO Function B Signals group.

**Table 3.8 SCSI GPIO Function B Signals**

Name	Pin No.	Type	Strength	Description
B_GPIO0_FETCH/	84, U11	I/O	16 mA	<b>SCSI Function B General Purpose I/O pin 0.</b> Optionally, when driven LOW, indicates that the next bus request is for an opcode fetch. This pin is programmable at power-up through the MAD[7:6] pins to serve as either the data or clock signal for the serial EEPROM interface.
B_GPIO1_MASTER/	86, Y12	I/O	16 mA	<b>SCSI Function B General Purpose I/O pin 1.</b> Optionally, when driven LOW, indicates that the LSI53C876 is bus master. This pin is programmable at power-up through the MAD[7:6] pins to serve as either the data or clock signal for the serial EEPROM interface.
B_GPIO2	87, W12	I/O	16 mA	<b>SCSI Function B General Purpose I/O pin 2.</b> B_GPIO2 powers up as an input.
B_GPIO3	88, V12	I/O	16 mA	<b>SCSI Function B General Purpose I/O pin 3.</b> B_GPIO3 powers up as an input. Currently our drivers use B_GPIO3 as a means to detect DiffSense.
B_GPIO4	89, U12	I/O	16 mA	<b>SCSI Function B General Purpose I/O pin 4.</b> B_GPIO4 powers up as an output. It can be used as the enable line for VPP, the 12 V power supply to the external Flash memory interface.

---

## 3.2 SCSI Bus Interface Signals

The SCSI Bus Interface signals section contains tables describing the signals for the following signal groups: [SCSI Bus Interface Signal](#) and [SCSI Bus Interface](#).

### 3.2.1 SCSI Bus Interface Signal

[Table 3.9](#) describes the SCSI Bus Interface signal.

**Table 3.9 SCSI Bus Interface Signal**

Name	Pin No.	Type	Strength	Description
SCLK	65, W6	I	N/A	<b>SCSI Clock</b> is used to derive all SCSI-related timings. The speed of this clock is determined by the application requirements. In some applications, SCLK may be sourced internally from the PCI bus clock (CLK). If SCLK is internally sourced, tie the SCLK pin LOW. For Ultra SCSI operations, the clock supplied to SCLK must be at 40 MHz. The frequency is doubled to create the 80 MHz clock required by both SCSI functions.

### 3.2.2 SCSI Bus Interface

Table 3.10 describes the signals for the SCSI Function A Signals group.

**Table 3.10 SCSI Function A Interface Signals**

Name	Pin No.	Type	Strength	Description
A_SD[15:0]/, A_SDP[1:0]/	167, 169, 170, 171, 139, 140, 141, 143, 156, 157, 159, 160, 161, 162, 164, 165, 166, 155, C15, D14, B15, A15, G18, F19, E20, G17, A20, A19, B18, B17, A18, A17, C16, B16, A16, B19	I/O	48 mA SCSI	<b>SCSI Function A Data</b> includes the following data lines and parity signals: A_SD/[15:0] (16-bit SCSI data bus), and A_SDP/[1:0] (SCSI data parity bits).
A_SCTRL/	146, 144, 149, 145, 151, 152, 154, 150, 148, D20, F18, D19, E19, E17, C19, B20, C20, E18	I/O	48 mA SCSI	<b>SCSI Function A Control</b> includes the following signals: <b>A_SC_D/</b> SCSI phase line, command/data <b>A_SI_O/</b> SCSI phase line, input/output <b>A_SMSG/</b> SCSI phase line, message <b>A_SREQ/</b> Data handshake line from target device <b>A_SACK/</b> Data handshake signal from initiator device <b>A_SBSY/</b> SCSI bus arbitration signal, busy <b>A_SATN/</b> SCSI Attention, the initiator is requesting a message out phase <b>A_SRST/</b> SCSI bus reset <b>A_SSEL/</b> SCSI bus arbitration signal, select device

Table 3.11 describes the signals for the SCSI Function B Signals group.

**Table 3.11 SCSI Function B Interface Signals**

Name	Pin No.	Type	Strength	Description
B_SD/[15:0], B_SDP/[1:0]	119, 121, 122, 123, 91, 92, 93, 95, 108, 109, 111, 112, 113, 114, 116, 117, 118, 107, R20, P18, P19, P20, V15, W16, Y17, V16, U19, V20, U20, T18, T19, T20, R18, P17, R19, V19	I/O	48 mA SCSI	<b>SCSI Function B Data</b> includes the following data lines and parity signals: B_SD/[15:0] (16-bit SCSI data bus), and B_SDP/[1:0] (SCSI data parity bits).
B_SCTRL/	98, 96, 101, 97, 103, 104, 106, 102, 100, U16, W17, W18, Y18, W19, Y20, W20, Y19, V17	I/O	48 mA SCSI	<b>SCSI Function B Control</b> includes the following signals: <b>B_SC_D/</b> SCSI phase line, command/data <b>B_SI_O/</b> SCSI phase line, input/output <b>B_SMSG/</b> SCSI phase line, message <b>B_SREQ/</b> Data handshake line from target device <b>B_SACK/</b> Data handshake signal from initiator device <b>B_SBSY/</b> SCSI bus arbitration signal, busy <b>B_SATN/</b> SCSI Attention, the initiator is requesting a message out phase <b>B_SRST/</b> SCSI bus reset <b>B_SSEL/</b> SCSI bus arbitration signal, select device

Table 3.12 describes the signals for the SCSI Function A Differential Control Signals group.

**Table 3.12 SCSI Function A Differential Control Signals**

Name	Pin No.	Type	Strength	Description
A_SDIR[15:0]	183, 184, 185, 187, 134, 135, 136, 137, 174, 175, 176, 177, 179, 180, 181, 182, B11, C11, A11, B10, H19, H18, G20, G19, A14, C13, B13, A13, D12, C12, B12, A12	O	4 mA	Driver direction control for SCSI Function A data lines.
A_SDIRP0/1	173, B14	O	4 mA	Driver direction control for SCSI Function A parity line.
A_BSYDIR	132, H20	O	4 mA	Driver enable control for SCSI Function A SBSY/ signal.
A_SELDIR	128, J20	O	4 mA	Driver enable control for SCSI Function A SSEL/ signal.
A_RSTDIR	130, J18	O	4 mA	Driver enable control for SCSI Function A SRST/ signal.
A_DIFFSENS	125, K19	I	N/A	<b>SCSI Function A Differential Sense.</b> This pin detects the presence of an SE device on a differential system. When external differential transceivers are used and a zero is detected on this pin, all SCSI Function A chip outputs are 3-stated to avoid damage to the transceivers. Tie this pin HIGH during SE operation. The normal value of this pin is 1.
A_IGS	127, K17	O	4 mA	SCSI Function A direction control for initiator driver group.
A_TGS	126, K18	O	4 mA	SCSI Function A direction control for target driver group.



Table 3.13 describes the signals for the SCSI Function B Differential Control Signals group.

**Table 3.13 SCSI Function B Differential Control Signals**

Name	Pin No.	Type	Strength	Description
B_SDIR[15:0]	C10, D10, A9, C9, W14, Y15, V14, W15, N20, M17, M18, M19, M20, L19, L18, L20	O	4 mA	Driver direction control for SCSI Function B data lines.
B_SDIRP0/1	N19	O	4 mA	Driver direction control for SCSI Function B parity line.
B_BSYDIR	Y14	O	4 mA	Driver enable control for SCSI Function B SBSY/ signal.
B_SELDIR	W13	O	4 mA	Driver enable control for SCSI Function B SSEL/ signal.
B_RSTDIR	V13	O	4 mA	Driver enable control for SCSI Function B SRST/ signal.
B_DIFFSENS	Y16	I	N/A	<b>SCSI Function B Differential Sense.</b> This pin detects the presence of an SE device on a differential system. When external differential transceivers are used and a zero is detected on this pin, all SCSI Function B chip outputs are 3-stated to avoid damage to the transceivers. Tie this pin HIGH during SE operation. The normal value of this pin is 1.
B_IGS	A8	O	4 mA	SCSI Function B direction control for initiator driver group.
B_TGS	D9	O	4 mA	SCSI Function B direction control for target driver group.

### 3.3 ROM/Flash Interface Signals

Table 3.14 describes the signals for the ROM/Flash Interface Signals group.

**Table 3.14 ROM/Flash Interface Signals**

Name	Pin No.	Type	Strength	Description
MAS0/	190, C8	O	4 mA	<b>Memory Address Strobe 0.</b> This pin is used to latch in the least significant address byte of an external EPROM or Flash memory. Since the LSI53C876E moves addresses eight bits at a time, this pin connects to the clock of an external bank of flip-flops which are used to assemble up to a 20-bit address for the external memory. If an external memory requires more than 16 bits of addressing as specified by the pull-down resistors at power-up and bit 0 in the <a href="#">Expansion ROM Base Address</a> register, see the External Memory Interface diagram for proper usage.
MAS1/	189, B8	O	4 mA	<b>Memory Address Strobe 1.</b> This pin is used to latch in the address byte corresponding to address bits [15:8] of an external EPROM or Flash memory. Since the LSI53C876E moves addresses eight bits at a time, this pin connects to the clock of an external bank of flip-flops which assemble up to a 20-bit address for the external memory. If an external memory requires more than 16 bits of addressing as specified by the pull-down resistors at power-up and bit 0 in the <a href="#">Expansion ROM Base Address</a> register, see the External Memory Interface diagram for proper usage.
MAD[7:0]	74, 76, 77, 79, 80, 81, 82, 83, U9, W9, Y9, V10, Y10, Y11, W11, V11	I/O	4 mA	<b>Memory Address/Data Bus.</b> This bus is used in conjunction with the memory address strobe pins and external address latches to assemble up to a 20-bit address for an external EPROM or Flash memory. This bus will put out the least significant byte first and finishes with the most significant bits. It is also used to write data to a Flash memory or read data into the chip from external EPROM/Flash memory. All MAD pins have internal pull-up resistors.

**Table 3.14 ROM/Flash Interface Signals (Cont.)**

Name	Pin No.	Type	Strength	Description
MWE/	191, A7	O	4 mA	<b>Memory Write Enable.</b> This pin is used as a write enable signal to an external Flash memory.
MOE/_TESTOUT	192, B7	O	4 mA	<b>Memory Output Enable.</b> This pin is used as an output enable signal to an external EPROM or Flash memory during read operations. It is also used to test the connectivity of the LSI53C876E signals in the “AND-tree” test mode. This pin is only driven as the Test Out function when the TESTIN/ pin is driven LOW.
MCE/	193, A6	O	4 mA	<b>Memory Chip Enable.</b> This pin is used as a chip enable signal to an external EPROM or Flash memory device.

### 3.4 Test Interface Signals

Table 3.15 describes the signals for the Test Interface Signals group.

**Table 3.15 Test Interface Signals**

Name	Pin No.	Type	Strength	Description
TESTIN/	66, Y6	I	N/A	<b>Test In.</b> When this pin is driven LOW, the LSI53C876E connects all inputs and outputs to an “AND-tree”. The SCSI control signals and data lines are not connected to the tree. The output of the “AND-tree” is connected to the Test Out pin (MOE/_TESTOUT). When the TESTIN/ pin is driven LOW internal pull-ups are enabled on all input, output, and bidirectional pins; all output and bidirectional pins signals are 3-stated; and the MOE/_TESTOUT pin is enabled. Connectivity is tested by driving one of the LSI53C876E pins LOW. The MOE/_TESTOUT should respond by also driving LOW.
TCK	60, V5	I	N/A	<b>Test Clock.</b> This pin provides the clock for the JTAG test logic. It has a static pull-up.
TMS	62, Y5	I	N/A	<b>Test Mode Select.</b> The signal received at TMS is decoded by the TAP controller to control JTAG test operations. It has a static pull-up.

**Table 3.15 Test Interface Signals (Cont.)**

TDI	61, W5	I	N/A	<b>Test Data In.</b> Serial test instructions are received by the JTAG test logic at this pin. It has a static pull-up.
TDO	63, V6	O	N/A	<b>Test Data Out.</b> This pin is the serial output for test instructions and data from the JTAG test logic.

## 3.5 Power and Ground Signals

Table 3.16 describes the signals for the Power and Ground Signals group.

**Table 3.16 Power and Ground Signals**

Name	Pin No.	Type	Strength	Description
V <sub>DD</sub> -IO	6, 13, 22, 31, 39, 47, 55, 206, B3, E3, G2, K2, M3, P3, U2, W4	P	N/A	Power for PCI bus drivers/receivers.
V <sub>SS</sub>	2, 9, 15, 19, 24, 29, 35, 41, 45, 51, 57, 204, A1, C2, D4, D5, D8, D13, D17, F3, H3, H4, H17, J3, K1, M1, N3, N4, N17, T1, U1, U4, U5, U8, U13, U17, W2	G	N/A	Ground for PCI bus drivers/receivers.
V <sub>DD</sub> -S	90, 124, 138, 172, A10, B9, C14, F20, K20, N18, U14, V9, Y13	P	N/A	Power for SCSI bus drivers/receivers.
V <sub>SS</sub> -S	94, 99, 105, 110, 115, 120, 142, 147, 153, 158, 163, 168	G	N/A	Ground for SCSI bus drivers/receivers.
V <sub>DD</sub> -C	64, 131, 201, C5, J17, U7	P	N/A	Power for core logic.
V <sub>SS</sub> -C	67, 129, 198, C6, J19, V7	G	N/A	Ground for core logic.
V <sub>DD</sub>	75, 186	P	N/A	Power for other I/O.
V <sub>SS</sub>	72, 85, 133, 178, 188	G	N/A	Ground for other I/O.

### 3.5.1 Isolated Power Supplies

The I/O driver pad rows and digital core have isolated power supplies as delineated by the "I/O" and "CORE" extensions on their respective  $V_{SS}$  and  $V_{DD}$  names.

These power and ground pins should be connected directly to the primary power and ground planes of the circuit board. Bypass capacitors of 0.01  $\mu\text{F}$  should be applied between adjacent  $V_{SS}$  and  $V_{DD}$  pairs wherever possible. Do not connect bypass capacitors between  $V_{SS}$  and  $V_{DD}$  pairs that cross power and ground bus boundaries.

---

## 3.6 MAD Bus Programming

The MAD[7:0] pins, in addition to serving as the address/data bus for the local memory interface, also are used to program power-up options for the chip. A particular option is programmed by connecting a 4.7 k $\Omega$  resistor between the appropriate MAD(x) pin and  $V_{SS}$ . The pull-down resistors require that HC or HCT external components are used for the memory interface.

- **MAD[7]** – Serial EEPROM programmable option. Please refer to [Section 2.4, “Serial EEPROM Interface,”](#) in [Chapter 2, “Functional Description,”](#) for details.
- **MAD[6]** – Serial EEPROM programmable option. Please refer to [Section 2.4, “Serial EEPROM Interface,”](#) in [Chapter 2, “Functional Description,”](#) for details.
- **MAD[5]** – SCRIPTS RAM disable.
- **MAD[4]** – INTA/ routing enable. Placing a pull-down resistor on this pin causes SCSI Function B interrupt requests to appear on the INTA/ pin, along with SCSI Function A interrupt requests, instead of on INTB/. Placing a pull-down resistor on this pin also causes the SCSI Function B interrupt pin register (0x3D) in PCI configuration space to be programmed to 0x01 instead of 0x02.
- **MAD[3:1]** – Used to set the size of the external expansion ROM device attached. Encoding for these pins are listed in the following table (“0” indicates a pull-down resistor is attached, “1” indicates no pull-down resistor attached).

**Table 3.17 Decode of MAD Pins**

<b>MAD[3:1]</b>	<b>Available Memory Space</b>
000	16 Kbytes
001	32 Kbytes
010	64 Kbytes
011	128 Kbytes
100	256 Kbytes
101	512 Kbytes
110	1024 Kbytes
111	No external memory present

- **MAD[0]** – The slow ROM pin. When pulled down, it enables two extra cycles of data access time to allow use of slower memory devices.

Note: All MAD pins have internal pull-up resistors.

# Chapter 4

## Registers

---

This chapter describes all LSI53C876 registers and is divided into the following sections:

- [Section 4.1, “PCI Configuration Registers”](#)
  - [Section 4.2, “SCSI Registers”](#)
- 

### 4.1 PCI Configuration Registers

The PCI Configuration registers are accessed by performing a configuration read/write to the device with its IDSEL pin asserted and the appropriate value in AD[10:8] during the address phase of the transaction. SCSI Function A is identified by a binary value of 000b, and SCSI Function B by a value of 001b. Each SCSI channel contains the same register set with identical default values, except the [Interrupt Pin](#) register.

[Table 4.1](#) shows the PCI configuration registers implemented by the LSI53C876.

All PCI-compliant devices, such as the LSI53C876, must support the [Vendor ID](#), [Device ID](#), [Command](#), and [Status](#) registers. Support of other PCI-compliant registers is optional. In the LSI53C876, registers that are not supported are not writable and return all zeros when read. Only those registers and bits that are currently supported by the LSI53C876 are described in this chapter.

**Table 4.1 PCI to SCSI Configuration Register Map**

31		16 15		0	
Device ID		Vendor ID		0x00	
Status		Command		0x04	
Class Code			Revision ID		0x08
Not Supported	Header Type	Latency Timer	Cache Line Size		0x0C
Base Address Register Zero (I/O) SCSI Operating Registers					0x10
Base Address Register One (Memory) bits [31:0] SCSI Operating Registers					0x14
Base Address Register Two (Memory)					0x18
Not Supported					0x1C
Not Supported					0x20
Not Supported					0x24
Reserved					0x28
Subsystem ID		Subsystem Vendor ID		0x2C	
Expansion ROM Base Address					0x30
Reserved			Capabilities Pointer		0x34
Reserved					0x38
Max_Lat	Min_Gnt	Interrupt Pin <sup>1</sup>	Interrupt Line		0x3C
Power Management Capabilities		Next Item Pointer	Capability ID		0x40
Data	PMCSR BSE	Power Management Control/Status		0x44	

1. Each SCSI function contains the same register set with identical default values. One exception is the Interrupt Pin register.

Note: Shaded areas are reserved or represent the LSI53C876E capabilities.



**Register: 0x00**

Vendor ID

Read Only

15															0
VID															
1	1	1	1	0	0	0	0	0	0	0	0	0	0	0	0

**VID** **Vendor ID** **[15:0]**

This field identifies the manufacturer of the device. The Vendor ID is 0x1000.

**Register: 0x02**

Device ID

Read Only

15															0
DID															
0	0	0	0	0	0	0	0	0	0	0	0	0	0	0	0

**DID** **Device ID** **[15:0]**

This field identifies the particular device. The LSI53C876 Device ID is 0x000F.

**Register: 0x04**

Command

Read/Write

15								9	8	7	6	5	4	3	2	1	0
R								SE	R	EPER	R	WIE	R	EBM	EMS	EIS	
0	0	0	0	0	0	0	0	0	0	0	0	0	0	0	0	0	0

The Command register provides coarse control over a device's ability to generate and respond to PCI cycles. When a zero is written to this register, the LSI53C876 is logically disconnected from the PCI bus for all accesses except configuration accesses.

<b>R</b>	<b>Reserved</b>	<b>[15:9]</b>
<b>SE</b>	<b>SERR/ Enable</b>	<b>8</b>
	This bit enables the SERR/ driver. SERR/ is disabled when this bit is cleared. The default value of this bit is zero. This bit and bit 6 must be set to report address parity errors. In the LSI53C876E, this bit is suppressed in Power State D2.	
<b>R</b>	<b>Reserved</b>	<b>7</b>
<b>EPER</b>	<b>Enable Parity Error Response</b>	<b>6</b>
	This bit allows a SCSI function of the LSI53C876E to detect parity errors on the PCI bus and report these errors to the system. Only data parity checking is enabled and disabled with this bit. The LSI53C876 always generates parity for the PCI bus. In the LSI53C876E, this bit is suppressed in Power State D2.	
<b>R</b>	<b>Reserved</b>	<b>5</b>
<b>WIE</b>	<b>Write and Invalidate Enable</b>	<b>4</b>
	This bit allows a SCSI function of the LSI53C876 to generate write and invalidate commands on the PCI bus. The WRIE bit in the <a href="#">Chip Test Three (CTEST3)</a> register must also be set for the SCSI function to generate Write and Invalidate commands.	
<b>R</b>	<b>Reserved</b>	<b>3</b>
<b>EBM</b>	<b>Enable Bus Mastering</b>	<b>2</b>
	This bit controls the ability of a SCSI function to act as a master on the PCI bus. A value of zero disables this device from generating PCI bus master accesses. A value of one allows the SCSI function to behave as a bus master. The SCSI function must be a bus master in order to fetch SCRIPTS instructions and transfer data. In the LSI53C876E, this bit is suppressed in Power State D2.	
<b>EMS</b>	<b>Enable Memory Space</b>	<b>1</b>
	This bit controls the ability of a SCSI function to respond to Memory space accesses. A value of zero disables the device response. A value of one allows a SCSI function of the LSI53C876 to respond to Memory Space accesses at the address range specified by the <a href="#">Base Address Register One (Memory)</a> and <a href="#">Base Address Register Two</a>	



<b>R</b>	<b>Reserved</b>	<b>11</b>								
<b>DT[1:0]</b>	<b>DEVSEL/ Timing</b> These bits encode the timing of DEVSEL/. These are encoded as:	<b>[10:9]</b>								
	<table border="0" style="width: 100%;"> <tr> <td style="width: 100px;">0b00</td> <td>fast</td> </tr> <tr> <td>0b01</td> <td>medium</td> </tr> <tr> <td>0b10</td> <td>slow</td> </tr> <tr> <td>0b11</td> <td>reserved</td> </tr> </table>	0b00	fast	0b01	medium	0b10	slow	0b11	reserved	
0b00	fast									
0b01	medium									
0b10	slow									
0b11	reserved									
	<p>These bits are read only and should indicate the slowest time that a device asserts DEVSEL/ for any bus command except Configuration Read and Configuration Write. In the SCSI functions of the LSI53C876, 0b01 is supported.</p>									
<b>DPR</b>	<b>Data Parity Reported</b> This bit is set when the following conditions are met:	<b>8</b>								
	<ul style="list-style-type: none"> <li>• The bus agent asserted PERR/ itself or observed PERR/ asserted.</li> <li>• The agent setting this bit acted as the bus master for the operation in which the error occurred.</li> <li>• The Parity Error Response bit in the <a href="#">Command</a> register is set.</li> </ul>									
<b>R</b>	<b>Reserved</b>	<b>[7:5]</b>								
<b>NC</b>	<b>New Capabilities</b> This bit is set to indicate a list of extended capabilities such as PCI Power Management. This bit is read only.	<b>4</b>								
<b>R</b>	<b>Reserved</b>	<b>[3:0]</b>								

**Register: 0x08****Revision ID****Read Only**

7								0
RID								
0	0	1	1	0	1	1	1	

**RID****Revision ID****[7:0]**

This field specifies device and revision identifiers. The value of this register is 0x00110111 or 0x37.

**Register: 0x09****Class Code****Read Only**

23																					0
CC																					
0	0	0	0	1	1	1	1	0	0	0	0	0	0	0	0	0	0	0	0	0	

**CC****Class Code****[23:0]**

This register is used to identify the generic function of the device. The upper byte of this register is a base class code, the middle byte is a subclass code, and the lower byte identifies a specific register level programming interface. The value of this register is 0x010000, which identifies a SCSI controller.

**Register: 0x0C****Cache Line Size****Read/Write**

7								0
CLS								
0	0	0	0	0	0	0	0	

**CLS****Cache Line Size****[7:0]**

This register specifies the system cache line size in units of 32-bit words. The value in this register is used by the device to determine whether to use Write and Invalidate or Write commands for performing write cycles, and whether to use Read, Read Line, or Read Multiple

commands for performing read cycles as a bus master. Devices participating in the caching protocol use this field to know when to retry burst accesses at cache line boundaries. These devices can ignore the PCI cache support lines (SDONE and SB0/) when this register is cleared to 0. If this register is programmed to a number which is not a power of 2, the device will not use PCI performance commands to perform data transfers.

### Register: 0x0D

#### Latency Timer

Read/Write

7								0
LT								
0	0	0	0	0	0	0	0	

LT

#### Latency Timer

[7:0]

The Latency Timer register specifies, in units of PCI bus clocks, the value of the Latency Timer for this PCI bus master. The SCSI functions of the LSI53C876 support this timer. All eight bits are writable, allowing latency values of 0–255 PCI clocks. Use the following equation to calculate an optimum latency value for the SCSI functions of the LSI53C876.

$$\text{Latency} = 2 + (\text{Burst Size} \times (\text{typical wait states} + 1))$$

Values greater than optimum are also acceptable.

### Register: 0x0E

#### Header Type

Read Only

7								0
HT								
0	0	0	0	0	0	0	0	

HT

#### Header Type

[7:0]

This register identifies the layout of bytes 0x10 through 0x3F in configuration space and also whether or not the device contains multiple functions. Since the LSI53C876 is a multifunction controller the value of this register is 0x80.







**Register: 0x2C**  
**Subsystem Vendor ID**  
**Read Only**

15															0
SVID															
If EEPROM not enabled Mode A															
0	0	0	0	0	0	0	0	0	0	0	0	0	0	0	0
If EEPROM note enabled Mode D															
1	1	1	1	0	0	0	0	0	0	0	0	0	0	0	0
EEPROM value if EEPROM enabled															
x	x	x	x	x	x	x	x	x	x	x	x	x	x	x	x

**SVID**                      **Subsystem Vendor ID**                      **[15:0]**

This register uniquely identifies the vendor manufacturing the add-in board or subsystem where this PCI device resides. It provides a mechanism for an add-in card vendor to distinguish its cards from another vendor's cards, even if the cards have the same PCI controller installed on them (and therefore the same Vendor ID and Device ID). This register loads automatically at power-up from an external serial EEPROM if in operating mode A and the load from EEPROM is successful. The 16-bit value that should be stored in the external serial EEPROM for this register is the vendor's PCI Vendor ID and must be obtained from the PCI Special Interest Group (SIG). If in operating mode D, this register is loaded with a default value of 0x1000. If an error occurs during a load from EEPROM or if the operating mode is B, this register defaults to a value of 0x0000. See [Section 2.4, "Serial EEPROM Interface,"](#) in [Chapter 2, "Functional Description,"](#) for information about the values to load in this register.

**Register: 0x2E**  
**Subsystem ID**  
**Read Only**

15	SID														0
If EEPROM not enabled Mode A															
0	0	0	0	0	0	0	0	0	0	0	0	0	0	0	0
If EEPROM note enabled Mode D															
1	1	1	1	0	0	0	0	0	0	0	0	0	0	0	0
EEPROM value if EEPROM enabled															
x	x	x	x	x	x	x	x	x	x	x	x	x	x	x	x

**SID** **Subsystem ID** **[15:0]**

This register uniquely identifies the add-in board or subsystem where this PCI device resides. It provides a mechanism for an add-in card vendor to distinguish its cards from one another even if the cards have the same PCI controller installed on them (and therefore the same Vendor ID and Device ID). This register loads automatically at power-up from an external serial EEPROM if in operating mode A and the load from EEPROM is successful. The 16-bit value that should be stored in the external serial EEPROM for this register is vendor specific. If in operating mode D, this register is loaded with a default value of 0x1000. If an error occurs during a load from EEPROM or if the operating mode is B, this register defaults to a value of 0x0000. See [Section 2.4, “Serial EEPROM Interface,”](#) in [Chapter 2, “Functional Description,”](#) for information about the values to load in this register.



**Register: 0x34**  
**Capabilities Pointer**  
**Read Only**

7								0
CP								
0	1	0	0	0	0	0	0	

**CP**                      **Capabilities Pointer**                      **[7:0]**  
This register provides an offset into the function's PCI Configuration Space for the location of the first item in the capabilities linked list. Only the LSI53C876E sets this register to 0x40.

**Register: 0x3C**  
**Interrupt Line**  
**Read/Write**

7							0
IL							
0	0	0	0	0	0	0	

**IL**                      **Interrupt Line**                      **[7:0]**  
This register can communicate interrupt line routing information. POST software writes the routing information into this register as it configures the system. The value in this register tells which input of the system interrupt controller(s) the device's interrupt pin is connected to. Values in this register are specified by system architecture.

## Register: 0x3D

### Interrupt Pin

Read Only

7							0
IP							
SCSI Function A							
0	0	0	0	0	0	0	1
SCSI Function B if MAD[4] pulled low							
0	0	0	0	0	0	0	1
SCSI Function B if MAD[4] not pulled low							
0	0	0	0	0	0	1	0

### IP Interrupt Pin [7:0]

This register is unique to each SCSI function. It tells which interrupt pin the device uses. Its value is set to 0x01 for the Function A INTA/ signal, and 0x02 for the Function B INTB/ signal at power-up. The Function B INTB/ value is set to 0x01 if MAD[4] is pulled low.

## Register: 0x3E

### Min\_Gnt

Read Only

7							0
MG							
0	0	0	1	0	0	0	1

### MG Min\_Gnt [7:0]

This register specifies the desired settings for latency timer values. Min\_Gnt specifies how long a burst period the device needs. The value specified in these registers is in units of 0.25 microseconds. The LSI53C876 SCSI function sets this register to 0x11.

**Register: 0x3F****Max\_Lat****Read Only**

7								0
ML								
0	1	0	0	0	0	0	0	

**ML** **Max\_Lat** **[7:0]**

This register indicates the desired settings for latency timer values. Max\_Lat specifies how often the device needs to gain access to the PCI bus. The value specified in these registers is in units of 0.25 microseconds. The LSI53C876 SCSI function sets this register to 0x40.

**Register: 0x40****Capability ID****Read Only**

7							0
CID							
0	0	0	0	0	0	0	1

**CID** **Cap\_ID** **[7:0]**

This register indicates the type of the current data structure. This register applies to the LSI53C876E only, which sets this register to a value of 0x01, indicating the Power Management Data Structure.

**Register: 0x41**  
**Next Item Pointer**  
**Read Only**

7							0
NIP							
0	0	0	0	0	0	0	0

**NIP**                      **Next\_Item\_Ptr**                      **[7:0]**  
This register describes the location of the next item in the function's capability list. This register applies only to the LSI53C876E, which sets this register to a value of 0x00, indicating that power management is the last capability in the linked list of extended capabilities.

**Register: 0x42**  
**Power Management Capabilities**  
**Read Only**

15				11		10	9	8	6		5	4	3	2		0
PMES[4:0]				D2S	D1S	R			DSI	APS	PMEC	VER[2:0]				
0	0	0	0	0	1	1	0	0	0	0	0	0	1	1	1	

This register applies to the LSI53C876E only and indicates the power management capabilities.

**PMES[4:0]**                      **PME Support**                      **[15:11]**  
This field is always set to 00000b because the LSI53C876E does not provide a PME signal.

**D2S**                      **D2 Support**                      **10**  
The LSI53C876E sets this bit to indicate that it supports the D2 power management state.

**D1S**                      **D1 Support**                      **9**  
The LSI53C876E sets this bit to indicate that it supports the D1 power management state.

**R**                      **Reserved**                      **[8:6]**

**DSI**                      **Device Specific Initialization**                      **5**  
This bit is set to 0 to indicate that the LSI53C876E requires no special initiation before the generic class device driver is able to use it.

<b>APS</b>	<b>Auxiliary Power Source</b>	<b>4</b>
	Because the LSI53C876E does not provide a PME signal, this bit always returns a 0, indicating that no auxiliary power source is required to support the PME signal in the D3cold power management state.	
<b>PMEC</b>	<b>PME Clock</b>	<b>3</b>
	This field is always set to 00000b because the LSI53C876E does not provide a PME signal.	
<b>VER</b>	<b>Version</b>	<b>[2:0]</b>
	This field is set to 001b to indicate that the LSI53C876E complies with Revision 1.0 of the PCI Power Management Interface Specification.	

**Register: 0x44**

**Power Management Control/Status**

Read/Write

15	14	13	12				9	8	7					2	1	0
PST	DSCL			DSL T				PEN	R						PWS	
0	0	0	0	0	0	0	0	0	0	0	0	0	0	0	0	0

This register applies to the LSI53C876E only and indicates the power management control and status descriptions.

<b>PST</b>	<b>PME Status</b>	<b>15</b>
	The LSI53C876E always returns a zero for this bit, indicating that PME signal generation is not supported from D3cold.	
<b>DSCL</b>	<b>Data Scale</b>	<b>[14:13]</b>
	The LSI53C876E does not support the <a href="#">Data</a> register. Therefore, this field is always set to 00b.	
<b>DSL T</b>	<b>Data Select</b>	<b>[12:9]</b>
	The LSI53C876E does not support the <a href="#">Data</a> register. Therefore, this field is always set to 0000b.	
<b>PEN</b>	<b>PME Enable</b>	<b>8</b>
	The LSI53C876E always returns a zero for this bit to indicate that PME assertion is disabled.	





## Register: 0x47

Data

Read Only

7								0
DATA								
0	0	0	0	0	0	0	0	

DATA

Data

[7:0]

This register applies only to the LSI53C876E and provides an optional mechanism for the function to report state-dependent operating data. The LSI53C876E returns 0x00 as the default value.

---

## 4.2 SCSI Registers

This section contains descriptions of all LSI53C876 SCSI registers. [Table 4.2](#), the register map, lists registers by operating and configuration addresses. The terms “set” and “assert” refer to bits that are programmed to a binary one. Similarly, the terms “deassert,” “clear,” and “reset” refer to bits that are programmed to a binary zero. Write any bits marked as reserved to zero; mask all information read from them. Reserved bit functions may change at any time. Unless otherwise indicated, all bits in registers are active HIGH, that is, the feature is enabled by setting the bit. The bottom row of every register diagram shows the default register values, which are enabled after the chip is powered on or reset.

**Note:** The only register that the host CPU can access while the LSI53C876 is executing SCRIPTS is the [Interrupt Status \(ISTAT\)](#) register. Attempts to access other registers interferes with the operation of the chip. However, all operating registers are accessible with SCRIPTS. All read data is synchronized and stable when presented to the PCI bus.

**Table 4.2 LSI53C876 SCSI Register Address Map**

31		16 15		0	
SCNTL3	SCNTL2	SCNTL1	SCNTL0	0x00	
GPREG	SDID	SXFER	SCID	0x04	
SBCL	SSID	SOCL	SFBR	0x08	
SSTAT2	SSTAT1	SSTAT0	DSTAT	0x0C	
DSA				0x10	
Reserved			ISTAT	0x14	
CTEST3	CTEST2	CTEST1	CTEST0	0x18	
TEMP				0x1C	
CTEST6	CTEST5	CTEST4	DFIFO	0x20	
DCMD	DBC			0x24	
DNAD				0x28	
DSP				0x2C	
DSPS				0x30	
SCRATCHA				0x34	
DCNTL	SBR	DIEN	DMODE	0x38	
ADDER				0x3C	
SIST1	SIST0	SIEN1	SIEN0	0x40	
GPCNTL	MACNTL	SWIDE	SLPAR	0x44	
RESPID1	RESPID0	STIME1	STIME0	0x48	
STEST3	STEST2	STEST1	STEST0	0x4C	
Reserved		SIDL		0x50	
Reserved		SODL		0x54	
Reserved		SBDL		0x58	
SCRATCH B				0x5C	
SCRATCH C				0x60	
SCRATCH D				0x64	
SCRATCH E				0x68	
SCRATCH F				0x6C	
SCRATCH G				0x70	
SCRATCH H				0x74	
SCRATCH I				0x78	
SCRATCH J				0x7C	

**Register: 0x00**  
**SCSI Control Zero (SCNTL0)**  
Read/Write

7	6	5	4	3	2	1	0
ARB[1:0]		START	WATN	EPC	R	AAP	TRG
1	1	0	0	0	x	0	0

**ARB[1:0]**                      **Arbitration Mode Bits 1 and 0**                      **[7:6]**

ARB1	ARB0	Arbitration Mode
0	0	Simple arbitration
0	1	Reserved
1	0	Reserved
1	1	Full arbitration, selection/reselection

**Simple Arbitration**

1. The LSI53C876 waits for a bus free condition to occur.
2. It asserts SBSY/ and its SCSI ID (contained in the [SCSI Chip ID \(SCID\)](#) register) onto the SCSI bus. If the SSEL/ signal is asserted by another SCSI device, the LSI53C876 deasserts SBSY/, deasserts its ID, and sets the Lost Arbitration bit (bit 3) in the [SCSI Status Zero \(SSTAT0\)](#) register.
3. After an arbitration delay, the CPU should read the [SCSI Bus Data Lines \(SBDL\)](#) register to check if a higher priority SCSI ID is present. If no higher priority ID bit is set, and the Lost Arbitration bit is not set, the LSI53C876 wins arbitration.
4. Once the LSI53C876 wins arbitration, SSEL/ must be asserted using the [SCSI Output Control Latch \(SOCL\)](#) for a bus clear plus a bus settle delay (1.2 μs) before a low level selection is performed.

**Full Arbitration, Selection/Reselection**

1. The LSI53C876 waits for a bus free condition.

2. It asserts SBSY/ and its SCSI ID (the highest priority ID stored in the [SCSI Chip ID \(SCID\)](#) register) onto the SCSI bus.
3. If the SSEL/ signal is asserted by another SCSI device or if the LSI53C876 detects a higher priority ID, the LSI53C876 deasserts BSY, deasserts its ID, and waits until the next bus free state to try arbitration again.
4. The LSI53C876 repeats arbitration until it wins control of the SCSI bus. When it wins, the Won Arbitration bit is set in the [SCSI Status Zero \(SSTAT0\)](#) register, bit 2.
5. The LSI53C876 performs selection by asserting the following onto the SCSI bus: SSEL/, the target's ID (stored in the [SCSI Destination ID \(SDID\)](#) register), and the LSI53C876 ID (stored in the [SCSI Chip ID \(SCID\)](#) register).
6. After a selection is complete, the Function Complete bit is set in the [SCSI Interrupt Status Zero \(SIST0\)](#) register, bit 6.
7. If a selection time-out occurs, the Selection Time-Out bit is set in the [SCSI Interrupt Status One \(SIST1\)](#) register, bit 2.

## **START**

### **Start Sequence**

**5**

When this bit is set, the LSI53C876 starts the arbitration sequence indicated by the Arbitration Mode bits. The Start Sequence bit is accessed directly in low level mode; during SCSI SCRIPTS operations, this bit is controlled by the SCRIPTS processor. Do not start an arbitration sequence if the connected (CON) bit in the [SCSI Control One \(SCNTL1\)](#) register, bit 4, indicates that the LSI53C876 is already connected to the SCSI bus. This bit is automatically cleared when the arbitration sequence is complete. If a sequence is aborted, check bit 4 in the SCNTL1 register to verify that the LSI53C876 is not connected to the SCSI bus.

## **WATN**

### **Select with SATN/ on a Start Sequence**

**4**

When this bit is set and the LSI53C876 SCSI function is in initiator mode, the SATN/ signal is asserted during

selection of a SCSI target device. The SATN/ signal informs the target that the LSI53C876 SCSI function has a message to send. If a selection time-out occurs while attempting to select a target device, SATN/ is deasserted at the same time SSEL/ is deasserted. When this bit is cleared, the SATN/ signal is not asserted during selection. When executing SCSI SCRIPTS, this bit is controlled by the SCRIPTS processor, but manual setting is possible in low level mode.

<b>EPC</b>	<b>Enable Parity Checking</b>	<b>3</b>
	<p>When this bit is set, the SCSI data bus is checked for odd parity when data is received from the SCSI bus in either the initiator or target mode. If a parity error is detected, bit 0 of the <a href="#">SCSI Interrupt Status Zero (SIST0)</a> register is set and an interrupt may be generated.</p> <p>If the LSI53C876 SCSI function is operating in initiator mode and a parity error is detected, assertion of SATN/ is optional, but the transfer continues until the target changes phase. When this bit is cleared, parity errors are not reported.</p>	
<b>R</b>	<b>Reserved</b>	<b>2</b>
<b>AAP</b>	<b>Assert SATN/ on Parity Error</b>	<b>1</b>
	<p>When this bit is set, the LSI53C876 SCSI function automatically asserts the SATN/ signal upon detection of a parity error. SATN/ is only asserted in initiator mode. The SATN/ signal is asserted before deasserting SACK/ during the byte transfer with the parity error. Also set the Enable Parity Checking bit for the LSI53C876 SCSI function to assert SATN/ in this manner. A parity error is detected on data received from the SCSI bus.</p> <p>If the Assert SATN/ on Parity Error bit is cleared or the Enable Parity Checking bit is cleared, SATN/ is not automatically asserted on the SCSI bus when a parity error is received.</p>	
<b>TRG</b>	<b>Target Mode</b>	<b>0</b>
	<p>This bit determines the default operating mode of the LSI53C876 SCSI function. The user must manually set the target or initiator mode. This is done using the SCRIPTS language (<code>SET TARGET</code> or <code>CLEAR TARGET</code>).</p>	

When this bit is set, the chip is a target device by default. When this bit is cleared, the LSI53C876 SCSI function is an initiator device by default.

**Note:** Writing this bit while not connected may cause the loss of a selection or reselection due to the changing of target or initiator modes.

**Register: 0x01**  
**SCSI Control One (SCNTL1)**  
**Read/Write**

7	6	5	4	3	2	1	0
EXC	ADB	DHP	CON	RST	AESP	IARB	SST
0	0	0	0	0	0	0	0

- EXC**                      **Extra Clock Cycle of Data Setup**                      **7**  
 When this bit is set, an extra clock period of data setup is added to each SCSI send data transfer. The extra data setup time can provide additional system design margin, though it affects the SCSI transfer rates. Clearing this bit disables the extra clock cycle of data setup time. Setting this bit only affects SCSI send operations.
- ADB**                      **Assert SCSI Data Bus**                      **6**  
 When this bit is set, the LSI53C876 SCSI function drives the contents of the [SCSI Output Data Latch \(SODL\)](#) register onto the SCSI data bus. When the LSI53C876 SCSI function is an initiator, the SCSI I/O signal must be inactive to assert the SODL contents onto the SCSI bus. When the LSI53C876 SCSI function is a target, the SCSI I/O signal must be active to assert the SODL contents onto the SCSI bus. The contents of the SODL register can be asserted at any time, even before the LSI53C876 SCSI function is connected to the SCSI bus. Clear this bit when executing SCSI SCRIPTS. It is normally used only for diagnostics testing or operation in low level mode.
- DHP**                      **Disable Halt on Parity Error or ATN (Target Only)**                      **5**  
 The DHP bit is only defined for target mode. When this bit is cleared, the LSI53C876 SCSI function halts the SCSI data transfer when a parity error is detected or when the SATN/ signal is asserted. If SATN/ or a parity error is received in the middle of a data transfer, the

LSI53C876 SCSI function may transfer up to three additional bytes before halting to synchronize between internal core cells. During synchronous operation, the LSI53C876 SCSI function transfers data until there are no outstanding synchronous offsets. If the LSI53C876 SCSI function is receiving data, any data residing in the DMA FIFO is sent to memory before halting.

When this bit is set, the LSI53C876 SCSI function does not halt the SCSI transfer when SATN/ or a parity error is received.

<b>CON</b>	<b>Connected</b>	<b>4</b>
	This bit is automatically set any time the LSI53C876 SCSI function is connected to the SCSI bus as an initiator or as a target. It is set after the LSI53C876 SCSI function successfully completes arbitration or when it has responded to a bus initiated selection or reselection. This bit is also set after the chip wins simple arbitration when operating in low level mode. When this bit is cleared, the LSI53C876 SCSI function is not connected to the SCSI bus.	
	The CPU can force a connected or disconnected condition by setting or clearing this bit. This feature is used primarily during loopback mode.	
<b>RST</b>	<b>Assert SCSI RST/ Signal</b>	<b>3</b>
	Setting this bit asserts the SRST/ signal. The SRST/ output remains asserted until this bit is cleared. The 25 $\mu$ s minimum assertion time defined in the SCSI specification must be timed out by the controlling microprocessor or a SCRIPTS loop.	
<b>AESP</b>	<b>Assert Even SCSI Parity (force bad parity)</b>	<b>2</b>
	When this bit is set, the LSI53C876 SCSI function asserts even parity. It forces a SCSI parity error on each byte sent to the SCSI bus from the chip. If parity checking is enabled, then the LSI53C876 SCSI function checks data received for odd parity. This bit is used for diagnostic testing and is cleared for normal operation. It is useful to generate parity errors to test error handling functions.	
<b>IARB</b>	<b>Immediate Arbitration</b>	<b>1</b>
	Setting this bit causes the SCSI core to immediately begin arbitration once a Bus Free phase is detected	



following an expected SCSI disconnect. This bit is useful for multithreaded applications. The ARB[1:0] bits in the [SCSI Control Zero \(SCNTL0\)](#) register are set for full arbitration and selection before setting this bit.

Arbitration is retried until won. At that point, the LSI53C876 SCSI function holds BSY and SEL asserted, and waits for a select or reselect sequence. The Immediate Arbitration bit is reset automatically when the selection or reselection sequence is completed, or times out. During the time between the assertion of the IARB bit and the completion of a Perform Select/Reselect instruction, DMA interrupts are disabled. Therefore, interrupt instructions placed between the assertion of the IARB bit and the Perform Select/Reselect instruction are not executed.

An unexpected disconnect condition clears IARB without attempting arbitration. See the SCSI Disconnect Unexpected bit ([SCSI Control Two \(SCNTL2\)](#), bit 7) for more information on expected versus unexpected disconnects.

It is possible to abort an immediate arbitration sequence. First, set the Abort bit in the [Interrupt Status \(ISTAT\)](#) register. Then one of two things eventually happens:

- The Won Arbitration bit ([SCSI Status Zero \(SSTAT0\)](#), bit 2) is set. In this case, the Immediate Arbitration bit needs to be cleared. This completes the abort sequence and disconnects the chip from the SCSI bus. If it is not acceptable to go to Bus Free phase immediately following the arbitration phase, it is possible to perform a low level selection instead.
- The abort completes because the LSI53C876 SCSI function loses arbitration. This is detected by the clearing of the Immediate Arbitration bit. Do not use the Lost Arbitration bit ([SCSI Status Zero \(SSTAT0\)](#), bit 3) to detect this condition. In this case take no further action.

## **SST**

### **Start SCSI Transfer**

**0**

This bit is automatically set during SCRIPTS execution. It causes the SCSI core to begin a SCSI transfer, including SREQ/SACK handshaking. The determination of whether the transfer is a send or receive is made according to the

value written to the I/O bit in [SCSI Output Control Latch \(SOCL\)](#). This bit is self-clearing. Do not set it for low level operation.

**Note:** Writing to this register while not connected may cause the loss of a selection/reselection by resetting the Connected bit.

**Register: 0x02**  
**SCSI Control Two (SCNTL2)**  
 Read/Write

7	6	5	4	3	2	1	0
SDU	CHM	SLPMD	SLPHBEN	WSS	VUE0	VUE1	WSR
0	0	0	0	0	0	x	0

**SDU** **SCSI Disconnect Unexpected** **7**  
 This bit is valid in the initiator mode only. When this bit is set, the SCSI core is not expecting the SCSI bus to enter the Bus Free phase. If it does, an unexpected disconnect error is generated (see the Unexpected Disconnect bit in the [SCSI Interrupt Status Zero \(SIST0\)](#) register, bit 2). During normal SCRIPTS mode operation, this bit is set automatically whenever the SCSI core is reselected, or successfully selects another SCSI device. The SDU bit should be cleared with a register write (move 0x00 to [SCSI Control Two \(SCNTL2\)](#)) before the SCSI core expects a disconnect to occur, normally prior to sending an Abort, Abort Tag, Bus Device Reset, Clear Queue or Release Recovery message, or before deasserting SACK/ after receiving a Disconnect command or Command Complete message.

**CHM** **Chained Mode** **6**  
 This bit determines whether or not the SCSI core is programmed for chained SCSI mode. This bit is automatically set by the Chained Block Move (CHMOV) SCRIPTS instruction and is automatically cleared by the Block Move SCRIPTS instruction (MOVE).  
 Chained mode primarily transfers consecutive wide data blocks. Using chained mode facilitates partial receive transfers and allows correct partial send behavior. When this bit is set and a data transfer ends on an odd byte

boundary, the LSI53C876 SCSI function stores the last byte in the [SCSI Wide Residue \(SWIDE\)](#) register during a receive operation, or in the [SCSI Output Data Latch \(SODL\)](#) register during a send operation. This byte is combined with the first byte from the subsequent transfer so that a wide transfer is completed.

For more information, see [Section 2.2.11, “Chained Block Moves,”](#) in [Chapter 2, “Functional Description.”](#)

<b>SLPMD</b>	<b>SLPAR Mode Bit</b>	<b>5</b>
	If this bit is cleared, the <a href="#">SCSI Longitudinal Parity (SLPAR)</a> register functions as a byte-wide longitudinal parity register. If this bit is set, the SLPAR functions as a word-wide longitudinal parity function. The high or low byte of the SLPAR word is accessible through the <a href="#">SCSI Longitudinal Parity (SLPAR)</a> register. Which byte is accessible is controlled by the SLPHEN bit.	
<b>SLPHBEN</b>	<b>SLPAR High Byte Enable</b>	<b>4</b>
	If this bit is cleared, the low byte of the SLPAR word is present in the SLPAR register. If this bit is set, the high byte of the SLPAR word is present in the <a href="#">SCSI Longitudinal Parity (SLPAR)</a> register.	
<b>WSS</b>	<b>Wide SCSI Send</b>	<b>3</b>
	When read, this bit returns the value of the Wide SCSI Send (WSS) flag. Asserting this bit clears the WSS flag. This clearing function is self-clearing.	
	When the WSS flag is high following a wide SCSI send operation, the SCSI core is holding a byte of “chain” data in the <a href="#">SCSI Output Data Latch (SODL)</a> register. This data becomes the first low-order byte sent when married with a high-order byte during a subsequent data send transfer.	
	Performing a SCSI receive operation clears this bit. Also, performing any nonwide transfer clears this bit.	
<b>VUE0</b>	<b>Vendor Unique Enhancement, Bit 0</b>	<b>2</b>
	This bit is a read only value indicating whether the group code field in the SCSI instruction is standard or vendor unique. If cleared, the bit indicates standard group codes; if set, the bit indicates vendor unique group codes. The value in this bit is reloaded at the beginning of all asynchronous target receives.	

<b>VUE1</b>	<b>Vendor Unique Enhancement, Bit 1</b>	<b>1</b>
	<p>This bit disables the automatic byte count reload during Block Move instructions in the command phase. If this bit is cleared, the device reloads the Block Move byte count if the first byte received is one of the standard group codes. If this bit is set, the device does not reload the Block Move byte count, regardless of the group code.</p>	
<b>WSR</b>	<b>Wide SCSI Receive</b>	<b>0</b>
	<p>When read, this bit returns the value of the Wide SCSI Receive (WSR) flag. Setting this bit clears the WSR flag. This clearing function is self-clearing.</p> <p>The WSR flag indicates that the SCSI core received data from the SCSI bus, detected a possible partial transfer at the end of a chained or nonchained block move command, and temporarily stored the high-order byte in the <a href="#">SCSI Wide Residue (SWIDE)</a> register rather than passing the byte out the DMA channel. The hardware uses the WSR status flag to determine what behavior must occur at the start of the next data receive transfer. When the flag is set, the stored data in SWIDE may be “residue” data, valid data for a subsequent data transfer, or overrun data. The byte is read as normal data by starting a data receive transfer.</p> <p>Performing a SCSI send operation clears this bit. Also, performing any nonwide transfer clears this bit.</p>	

**Register: 0x03**  
**SCSI Control Three (SCNTL3)**  
Read/Write

7	6	4	3	2	0	
USE	SCF[2:0]			EWS	CCF[2:0]	
0	0	0	0	0	0	0

**USE**                      **Ultra SCSI Enable**                      **7**  
Setting this bit enables Ultra SCSI synchronous transfers. The default value of this bit is 0. Set this bit only when the transfer rate exceeds 10 megatransfers/s.

When this bit is set, the signal filtering period for SREQ/ and SACK/ automatically changes to 15 ns, regardless of the value of the Extend REQ/ACK Filtering bit in the [SCSI Test Two \(STEST2\)](#) register.

**SCF[2:0]**                      **Synchronous Clock Conversion Factor**                      **[6:4]**  
These bits select a factor by which the frequency of SCLK is divided before being presented to the synchronous SCSI control logic. Write these to the same value as the Clock Conversion Factor bits below unless fast SCSI operation is desired. See the [SCSI Transfer \(SXFER\)](#) register description for examples of how the SCF bits are used to calculate synchronous transfer periods. See the table under the description of bits [7:5] of the [SCSI Transfer \(SXFER\)](#) register for the valid combinations.

Note: For additional information on how the synchronous transfer rate is determined, refer to [Chapter 2, “Functional Description.”](#)

**EWS**                      **Enable Wide SCSI**                      **3**  
When this bit is clear, all information transfer phases are assumed to be eight bits, transmitted on SD[7:0]/, SDP0/. When this bit is asserted, data transfers are done 16 bits at a time, with the least significant byte on SD[7:0]/, SDP/ and the most significant byte on SD[15:8]/, SDP1/. Command, Status, and Message phases are not affected by this bit.



One (RESPID1) registers. Note that the chip does not automatically reconfigure itself to initiator mode as a result of being reselected.

**SRE**                      **Enable Response to Selection**                      **5**

When this bit is set, the LSI53C876 SCSI function is able to respond to bus-initiated selection at the chip ID in the [Response ID Zero \(RESPID0\)](#) and [Response ID One \(RESPID1\)](#) registers. Note that the chip does not automatically reconfigure itself to target mode as a result of being selected.

**R**                              **Reserved**                              **4**

**ENC**                      **Encoded Chip SCSI ID**                      **[3:0]**

These bits store the LSI53C876 SCSI function encoded SCSI ID. This is the ID which the chip asserts when arbitrating for the SCSI bus. The IDs that the LSI53C876 SCSI function responds to when selected or reselected are configured in the [Response ID Zero \(RESPID0\)](#) and [Response ID One \(RESPID1\)](#) registers. The priority of the 16 possible IDs, in descending order is:

Highest								Lowest							
7	6	5	4	3	2	1	0	15	14	13	12	11	10	9	8

**Register: 0x05**  
**SCSI Transfer (SXFER)**  
**Read/Write**

7			5		4		0		
TP[2:0]			MO[4:0]						
0	0	0	x	0	0	0	0	0	

When using Table Indirect I/O commands, bits [7:0] of this register are loaded from the I/O data structure.

For additional information on how the synchronous transfer rate is determined, refer to [Chapter 2, “Functional Description.”](#)

**TP[2:0]**

**SCSI Synchronous Transfer Period**

**[7:5]**

These bits determine the SCSI synchronous transfer period used by the LSI53C876 SCSI function when sending synchronous SCSI data in either the initiator or target mode. These bits control the programmable dividers in the chip.

For Wide Ultra SCSI transfers, the ideal transfer period is 4, and 5 is acceptable. Setting the transfer period to a value greater than 5 is not recommended.

<b>TP2</b>	<b>TP1</b>	<b>TP0</b>	<b>XFERP</b>
0	0	0	4
0	0	1	5
0	1	0	6
0	1	1	7
1	0	0	8
1	0	1	9
1	1	0	10
1	1	1	11

The synchronous transfer period the LSI53C876 should use when transferring SCSI data is determined in the following example.

The LSI53C876 is connected to a hard disk which can transfer data at 10 Mbytes/s synchronously. The LSI53C876 SCSI function's SCLK is running at 40 MHz. The synchronous transfer period (SXFERP) is found as follows:

$$\text{SXFERP} = \text{Period} / \text{SSCP} + \text{ExtCC}$$

$$\text{Period} = 1 \div \text{Frequency} = 1 \div 10 \text{ Mbytes/s} = 100 \text{ ns}$$

$$\text{SSCP} = 1 \div \text{SSCF} = 1 \div 40 \text{ MHz} = 25 \text{ ns}$$

(This SCSI synchronous core clock is determined in [SCSI Control Three \(SCNTL3\)](#), bits [6:4], ExtCC = 1 if [SCSI Control One \(SCNTL1\)](#), bit 7 is asserted and the LSI53C876 is sending data. ExtCC = 0 if the LSI53C876 is receiving data.)

$$\text{SXFERP} = 100 \div 25 = 4$$



Where:

- SXFERP** Synchronous transfer period.
- SSCP** SCSI synchronous core period.
- SSCF** SCSI synchronous core frequency.
- ExtCC** Extra clock cycle of data setup.

**Table 4.3 Examples of Synchronous Transfer Periods for SCSI-1 Transfer Rates**

CLK (MHz)	SCSI CLK ÷ SCNTL3 Bits [6:4]	XFERP	Synch. Transfer Period (ns)	Synch. Transfer Rate (Mbytes/s)
40	÷4	4	200	5
80	÷2	4	200	5

**Table 4.4 Example Transfer Periods for Fast SCSI and Wide Ultra SCSI Transfer Rates**

CLK (MHz)	SCSI CLK ÷ SCNTL3 Bits [6:4]	XFERP	Synch. Transfer Period (ns)	Synch. Transfer Rate (Mbytes/s)
80	÷1	4	50	20
80	÷2	4	100	10
40	÷1	4	100	10

**MO[4:0]**

**Max SCSI Synchronous Offset**

**[4:0]**

These bits describe the maximum SCSI synchronous offset used by the LSI53C876 SCSI function when transferring synchronous SCSI data in either initiator or target mode. [Table 4.5](#) describes the possible combinations and their relationship to the synchronous data offset used by the LSI53C876 SCSI function. These bits determine the LSI53C876 SCSI function's method of transfer for Data-In and Data-Out phases only; all other information transfers occur asynchronously.

**Table 4.5 Maximum Synchronous Offset**

MO4	MO3	MO2	MO1	MO0	Synchronous Offset
0	0	0	0	0	0-Asynchronous
0	0	0	0	1	1
0	0	0	1	0	2
0	0	0	1	1	3
0	0	1	0	0	4
0	0	1	0	1	5
0	0	1	1	0	6
0	0	1	1	1	7
0	1	0	0	0	8
0	1	0	0	1	9
0	1	0	1	0	10
0	1	0	1	1	11
0	1	1	0	0	12
0	1	1	0	1	13
0	1	1	1	0	14
0	1	1	1	1	15
1	0	0	0	0	16
1	x	x	x	1	Reserved
1	x	x	1	x	Reserved
1	x	1	x	x	Reserved
1	1	x	x	x	Reserved

**Register: 0x06**  
**SCSI Destination ID (SDID)**  
**Read/Write**

7	4	3	0				
R				ENC[3:0]			
x	x	x	x	0	0	0	0

**R**                      **Reserved**    **[7:4]**

**ENC**                      **Encoded Destination SCSI ID**    **[3:0]**

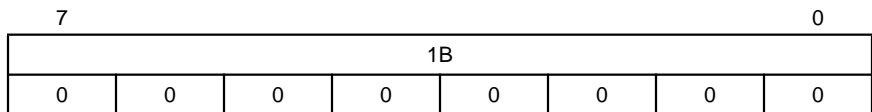
Writing these bits sets the SCSI ID of the intended initiator or target during SCSI reselection or selection phases, respectively. When executing SCRIPTS, the SCRIPTS processor writes the destination SCSI ID to this register. The SCSI ID is defined by the user in a



LSI Logic SDMS software uses the GPIO0 pin to toggle SCSI device LEDs, turning on the LED whenever the LSI53C876 SCSI function is on the SCSI bus. SDMS software drives this pin low to turn on the LED, or drives it high to turn off the LED.

LSI Logic software also uses the GPIO[1:0] signals to access serial EEPROM. GPIO1 is used as a clock, with the GPIO0 pin serving as data.

**Register: 0x08**  
**SCSI First Byte Received (SFBR)**  
**Read/Write**



**1B**                      **SCSI First Byte Received**                      **[7:0]**

This register contains the first byte received in any asynchronous information transfer phase. For example, when a LSI53C876 SCSI function is operating in initiator mode, this register contains the first byte received in the Message-In, Status, and Data-In phases.

When a Block Move instruction is executed for a particular phase, the first byte received is stored in this register, even if the present phase is the same as the last phase. The first byte received value for a particular input phase is not valid until after a MOVE instruction is executed.

This register is also the accumulator for register read-modify-writes with the SFBR as the destination. This allows bit testing after an operation.

The SFBR is not writable using the CPU, and therefore not by a Memory Move. However, it can be loaded using SCRIPTS Read/Write operations. To load the SFBR with a byte stored in system memory, the byte must first be moved to an intermediate LSI53C876 SCSI function register (such as the SCRATCH register), and then to the SFBR.

This register also contains the state of the lower eight bits of the SCSI data bus during the Selection phase if the COM bit in the [DMA Control \(DCNTL\)](#) register is clear.

If the COM bit is cleared, do not access this register using SCRIPTS operation, as nondeterminate operations may occur. This includes SCRIPTS Read/Write operations and conditional transfer control instructions that initialize the [SCSI First Byte Received \(SFBR\)](#) register.

**Register: 0x09**  
**SCSI Output Control Latch (SOCL)**  
 Read/Write

7	6	5	4	3	2	1	0
REQ	ACK	BSY	SEL	ATN	MSG	C/D	I/O
0	0	0	0	0	0	0	0

<b>REQ</b>	<b>Assert SCSI REQ/ Signal</b>	<b>7</b>
<b>ACK</b>	<b>Assert SCSI ACK/ Signal</b>	<b>6</b>
<b>BSY</b>	<b>Assert SCSI BSY/ Signal</b>	<b>5</b>
<b>SEL</b>	<b>Assert SCSI SEL/ Signal</b>	<b>4</b>
<b>ATN</b>	<b>Assert SCSI ATN/ Signal</b>	<b>3</b>
<b>MSG</b>	<b>Assert SCSI MSG/ Signal</b>	<b>2</b>
<b>C/D</b>	<b>Assert SCSI C_D/ Signal</b>	<b>1</b>
<b>I/O</b>	<b>Assert SCSI I_O/ Signal</b>	<b>0</b>

This register is used primarily for diagnostic testing or programmed I/O operation. It is controlled by the SCRIPTS processor when executing SCSI SCRIPTS. SOCL is used only when transferring data using programmed I/O. Some bits are set (1) or reset (0) when executing SCSI SCRIPTS. Do not write to the register once the LSI53C876 SCSI function starts executing normal SCSI SCRIPTS.



**Register: 0x0B**  
**SCSI Bus Control Lines (SBCL)**  
**Read Only**

7	6	5	4	3	2	1	0
REQ	ACK	BSY	SEL	ATN	MSG	C/D	I/O
x	x	x	x	x	x	x	x

<b>REQ</b>	<b>SREQ/ Status</b>	<b>7</b>
<b>ACK</b>	<b>SACK/ Status</b>	<b>6</b>
<b>BSY</b>	<b>SBSY/ Status</b>	<b>5</b>
<b>SEL</b>	<b>SSEL/ Status</b>	<b>4</b>
<b>ATN</b>	<b>SATN/ Status</b>	<b>3</b>
<b>MSG</b>	<b>SMSG/ Status</b>	<b>2</b>
<b>C/D</b>	<b>SC_D/ Status</b>	<b>1</b>
<b>I/O</b>	<b>SI_O/ Status</b>	<b>0</b>

This register returns the SCSI control line status. A bit is set when the corresponding SCSI control line is asserted. These bits are not latched; they are a true representation of what is on the SCSI bus at the time the register is read. The resulting read data is synchronized before being presented to the PCI bus to prevent parity errors from being passed to the system. This register is used for diagnostics testing or operation in low level mode.





<b>ABRT</b>	<b>Aborted</b>	<b>4</b>
	This bit is set when an abort condition occurs. An abort condition occurs when a software abort command is issued by setting bit 7 of the <a href="#">Interrupt Status (ISTAT)</a> register.	
<b>SSI</b>	<b>Single Step Interrupt</b>	<b>3</b>
	If the Single Step Mode bit in the <a href="#">DMA Control (DCNTL)</a> register is set, this bit is set and an interrupt is generated after successful execution of each <b>SCRIPTS</b> instruction.	
<b>SIR</b>	<b>SCRIPTS Interrupt Instruction Received</b>	<b>2</b>
	This status bit is set whenever an Interrupt instruction is evaluated as true.	
<b>R</b>	<b>Reserved</b>	<b>1</b>
<b>IID</b>	<b>Illegal Instruction Detected</b>	<b>0</b>
	This status bit is set any time an illegal or reserved instruction opcode is detected, whether the LSI53C876 SCSI function is operating in single step mode or automatically executing SCSI <b>SCRIPTS</b> .	
	Any of the following conditions during instruction execution also set this bit:	
	<ul style="list-style-type: none"> <li>• The LSI53C876 SCSI function is executing a Wait Disconnect instruction and the SCSI REQ line is asserted without a disconnect occurring.</li> <li>• A Block Move instruction is executed with 0x000000 loaded into the <a href="#">DMA Byte Counter (DBC)</a> register, indicating there are zero bytes to move.</li> <li>• During a Transfer Control instruction, the Compare Data (bit 18) and Compare Phase (bit 17) bits are set in the <a href="#">DMA Byte Counter (DBC)</a> register while the LSI53C876 SCSI function is in target mode.</li> <li>• During a Transfer Control instruction, the Carry Test bit (bit 21) is set and either the Compare Data (bit 18) or Compare Phase (bit 17) bit is set.</li> <li>• A Transfer Control instruction is executed with the reserved bit 22 set.</li> <li>• A Transfer Control instruction is executed with the Wait for Valid phase bit (bit 16) set while the chip is in target mode.</li> </ul>	

- A Load/Store instruction is issued with the memory address mapped to the operating registers of the chip, not including ROM or RAM.
- A Load/Store instruction is issued when the register address is not aligned with the memory address.
- A Load/Store instruction is issued with bit 5 in the [DMA Command \(DCMD\)](#) register cleared or bits 3 or 2 set.
- A Load/Store instruction when the count value in the [DMA Byte Counter \(DBC\)](#) register is not set at 1 to 4.
- A Load/Store instruction attempts to cross a Dword boundary.
- A Memory Move instruction is executed with one of the reserved bits in the [DMA Command \(DCMD\)](#) register set.
- A Memory Move instruction is executed with the source and destination addresses not aligned.

**Register: 0x0D**  
**SCSI Status Zero (SSTAT0)**  
 Read Only

7	6	5	4	3	2	1	0
ILF	ORF	OLF	AIP	LOA	WOA	RST/	SDP0/
0	0	0	0	0	0	0	0

**ILF** **SIDL Least Significant Byte Full** **7**  
 This bit is set when the least significant byte in the [SCSI Input Data Latch \(SIDL\)](#) register contains data. Data is transferred from the SCSI bus to the SIDL register before being sent to the DMA FIFO and then to the host bus. The SIDL register contains SCSI data received asynchronously. Synchronous data received does not flow through this register.

**ORF** **SODR Least Significant Byte Full** **6**  
 This bit is set when the least significant byte in the SCSI Output Data Register (SODR, a hidden buffer register which is not accessible) contains data. The SCSI logic uses the SODR as a second storage register when

sending data synchronously. It is not readable or writable by the user. It is possible to use this bit to determine how many bytes reside in the chip when an error occurs.

<b>OLF</b>	<b>SODL Least Significant Byte Full</b>	<b>5</b>
	This bit is set when the least significant byte in the <a href="#">SCSI Output Data Latch (SODL)</a> contains data. The SODL register is the interface between the DMA logic and the SCSI bus. In synchronous mode, data is transferred from the host bus to the SODL register, and then to the SCSI Output Data Register (SODR, a hidden buffer register which is not accessible) before being sent to the SCSI bus. In asynchronous mode, data is transferred from the host bus to the <a href="#">SCSI Output Data Latch (SODL)</a> register, and then to the SCSI bus. The SODR buffer register is not used for asynchronous transfers. It is possible to use this bit to determine how many bytes reside in the chip when an error occurs.	
<b>AIP</b>	<b>Arbitration in Progress</b>	<b>4</b>
	Arbitration in Progress (AIP = 1) indicates that the LSI53C876 SCSI function has detected a Bus Free condition, asserted BSY, and asserted its SCSI ID onto the SCSI bus.	
<b>LOA</b>	<b>Lost Arbitration</b>	<b>3</b>
	When set, LOA indicates that the LSI53C876 SCSI function has detected a bus free condition, arbitrated for the SCSI bus, and lost arbitration due to another SCSI device asserting the SEL/ signal.	
<b>WOA</b>	<b>Won Arbitration</b>	<b>2</b>
	When set, WOA indicates that the LSI53C876 SCSI function has detected a Bus Free condition, arbitrated for the SCSI bus and won arbitration. The arbitration mode selected in the <a href="#">SCSI Control Zero (SCNTL0)</a> register must be full arbitration and selection to set this bit.	
<b>RST/</b>	<b>SCSI RST/ Signal</b>	<b>1</b>
	This bit reports the current status of the SCSI RST/ signal, and the RST signal (bit 3) in the <a href="#">SCSI Control One (SCNTL1)</a> register. This bit is not latched and may change as it is read.	

**SDP0/ SCSI SDP0/ Parity Signal** **0**  
 This bit represents the active high current status of the SCSI SDP0/ parity signal. This signal is not latched and may change as it is read.

**Register: 0x0E**  
**SCSI Status One (SSTAT1)**  
 Read Only

7			4	3	2	1	0
FF[3:0]				SDPOL	MSG	C_D	I_O
0	0	0	0	x	x	x	x

**FF[3:0] FIFO Flags** **[7:4]**  
 These four bits, along with [SCSI Status Two \(SSTAT2\)](#), bit 4, define the number of bytes or words that currently reside in the LSI53C876 SCSI synchronous data FIFO as shown in [Table 4.6](#). These bits are not latched and they will change as data moves through the FIFO. Because the FIFO can only hold either 16 bytes or 16 words, values over 16 cannot occur.

**Table 4.6 SCSI Synchronous Data FIFO Word Count**

FF4 (SSTAT2 bit 4)	FF3	FF2	FF1	FF0	Bytes or Words in the SCSI FIFO
0	0	0	0	0	0
0	0	0	0	1	1
0	0	0	1	0	2
0	0	0	1	1	3
0	0	1	0	0	4
0	0	1	0	1	5
0	0	1	1	0	6
0	0	1	1	1	7
0	1	0	0	0	8
0	1	0	0	1	9

**Table 4.6 SCSI Synchronous Data FIFO Word Count (Cont.)**

<b>FF4 (SSTAT2 bit 4)</b>	<b>FF3</b>	<b>FF2</b>	<b>FF1</b>	<b>FF0</b>	<b>Bytes or Words in the SCSI FIFO</b>
0	1	0	1	0	10
0	1	0	1	1	11
0	1	1	0	0	12
0	1	1	0	1	13
0	1	1	1	0	14
0	1	1	1	1	15
1	0	0	0	0	16

<b>SDP0L</b>	<b>Latched SCSI Parity</b>	<b>3</b>
	This bit reflects the SCSI parity signal (SDP0/), corresponding to the data latched in the <a href="#">SCSI Input Data Latch (SIDL)</a> register. It changes when a new byte is latched into the least significant byte of the SIDL register. This bit is active HIGH, in other words, it is set when the parity signal is active.	
<b>MSG</b>	<b>SCSI MSG/ Signal</b>	<b>2</b>
<b>C_D</b>	<b>SCSI C_D/ Signal</b>	<b>1</b>
<b>I_O</b>	<b>SCSI I_O/ Signal</b>	<b>0</b>
	These three SCSI phase status bits (MSG, C_D, and I_O) are latched on the asserting edge of SREQ/ when operating in either initiator or target mode. These bits are set when the corresponding signal is active. They are useful when operating in low level mode.	

**Register: 0x0F**  
**SCSI Status Two (SSTAT2)**  
**Read Only**

7	6	5	4	3	2	1	0
ILF	ORF1	OLF1	FF4	SPL1	R	LDSC	SDP1
0	0	0	0	x	x	1	x

- ILF1** **SIDL Most Significant Byte Full** **7**  
This bit is set when the most significant byte in the [SCSI Input Data Latch \(SIDL\)](#) register contains data. Data is transferred from the SCSI bus to the SCSI Input Data Latch register before being sent to the DMA FIFO and then to the host bus. The [SCSI Input Data Latch \(SIDL\)](#) register contains SCSI data received asynchronously. Synchronous data received does not flow through this register.
- ORF1** **SODR Most Significant Byte Full** **6**  
This bit is set when the most significant byte in the SCSI Output Data Register (SODR, a hidden buffer register which is not accessible) contains data. The SCSI logic uses the SODR register as a second storage register when sending data synchronously. It is not accessible to the user. This bit determines how many bytes reside in the chip when an error occurs.
- OLF1** **SODL Most Significant Byte Full** **5**  
This bit is set when the most significant byte in the [SCSI Output Data Latch \(SODL\)](#) contains data. The SODL register is the interface between the DMA logic and the SCSI bus. In synchronous mode, data is transferred from the host bus to the SODL register, and then to the SCSI Output Data Register (SODR, a hidden buffer register which is not accessible) before being sent to the SCSI bus. In asynchronous mode, data is transferred from the host bus to the SODL register, and then to the SCSI bus. The SODR buffer register is not used for asynchronous transfers. It is possible to use this bit to determine how many bytes reside in the chip when an error occurs.



During any Memory-to-Memory Move operation, the contents of this register are preserved. The power-up value of this register is indeterminate.

**Register: 0x14**  
**Interrupt Status (ISTAT)**  
**Read/Write**

7	6	5	4	3	2	1	0
ABRT	SRST	SIGP	SEM	CON	INTF	SIP	DIP
0	0	0	0	0	0	0	0

This is the only register that is accessible by the host CPU while a LSI53C876 SCSI function is executing SCRIPTS (without interfering in the operation of the function). It polls for interrupts if hardware interrupts are disabled. Read this register after servicing an interrupt to check for stacked interrupts. For more information on interrupt handling refer to [Chapter 2, "Functional Description."](#)

**ABRT** **Abort Operation** **7**

Setting this bit aborts the current operation under execution by the LSI53C876 SCSI function. If this bit is set and an interrupt is received, clear this bit before reading the [DMA Status \(DSTAT\)](#) register to prevent further aborted interrupts from being generated. The sequence to abort any operation is:

1. Set this bit.
2. Wait for an interrupt.
3. Read the [Interrupt Status \(ISTAT\)](#) register.
4. If the SCSI Interrupt Pending bit is set, then read the [SCSI Interrupt Status Zero \(SIST0\)](#) or [SCSI Interrupt Status One \(SIST1\)](#) register to determine the cause of the SCSI Interrupt and go back to Step 2.
5. If the SCSI Interrupt Pending bit is clear, and the DMA Interrupt Pending bit is set, then write 0x00 value to this register.
6. Read the [DMA Status \(DSTAT\)](#) register to verify the aborted interrupt and to see if any other interrupting conditions have occurred.



<b>SRST</b>	<p><b>Software Reset</b> <span style="float: right;"><b>6</b></span></p> <p>Setting this bit resets the LSI53C876 SCSI function. All operating registers are cleared to their respective default values and all SCSI signals are deasserted. Setting this bit does not assert the SCSI RST/ signal. This reset does not clear the ID Mode bit or any of the PCI configuration registers. This bit is not self-clearing; it must be cleared to clear the reset condition (a hardware reset also clears this bit).</p>
<b>SIGP</b>	<p><b>Signal Process</b> <span style="float: right;"><b>5</b></span></p> <p>SIGP is a R/W bit that is writable at any time, and polled and reset using <a href="#">Chip Test Two (CTEST2)</a>. The SIGP bit is used in various ways to pass a flag to or from a running SCRIPTS instruction.</p> <p>The only SCRIPTS instruction directly affected by the SIGP bit is Wait for Selection/Reselection. Setting this bit causes that instruction to jump to the alternate address immediately. The instructions at the alternate jump address should check the status of SIGP to determine the cause of the jump. The SIGP bit is usable at any time and is not restricted to the wait for selection/reselection condition.</p>
<b>SEM</b>	<p><b>Semaphore</b> <span style="float: right;"><b>4</b></span></p> <p>The SCRIPTS processor may set this bit using a SCRIPTS register write instruction. An external processor may also set it while the LSI53C876 SCSI function is executing a SCRIPTS operation. This bit enables the SCSI function to notify an external processor of a predefined condition while SCRIPTS are running. The external processor may also notify the LSI53C876 SCSI function of a predefined condition and the SCRIPTS processor may take action while SCRIPTS are executing.</p>
<b>CON</b>	<p><b>Connected</b> <span style="float: right;"><b>3</b></span></p> <p>This bit is automatically set any time the LSI53C876 SCSI function is connected to the SCSI bus as an initiator or as a target. It is set after successfully completing selection or when the LSI53C876 SCSI function responds to a bus-initiated selection or reselection. It is also set after the SCSI function wins arbitration when operating in low level mode. When this bit is clear, the LSI53C876 SCSI function is not connected to the SCSI bus.</p>

<b>INTF</b>	<p><b>Interrupt-on-the-Fly</b> <span style="float: right;"><b>2</b></span></p> <p>This bit is asserted by an INTFLY instruction during SCRIPTS execution. SCRIPTS programs do not halt when the interrupt occurs. This bit can be used to notify a service routine, running on the main processor while the SCRIPTS processor is still executing a SCRIPTS program. If this bit is set when the <a href="#">Interrupt Status (ISTAT)</a> register is read it is not automatically cleared. To clear this bit, write it to a one. The reset operation is self-clearing.</p> <p>If the INTF bit is set but SIP or DIP are not set, do not attempt to read the other chip status registers. An Interrupt-on-the-Fly interrupt must be cleared before servicing any other interrupts indicated by SIP or DIP.</p> <p>This bit must be written to one in order to clear it after it has been set.</p>
<b>SIP</b>	<p><b>SCSI Interrupt Pending</b> <span style="float: right;"><b>1</b></span></p> <p>This status bit is set when an interrupt condition is detected in the SCSI portion of the LSI53C876 SCSI function. The following conditions cause a SCSI interrupt to occur:</p> <ul style="list-style-type: none"> <li>• A phase mismatch (initiator mode) or SATN/ becomes active (target mode)</li> <li>• An arbitration sequence completes</li> <li>• A selection or reselection time-out occurs</li> <li>• The LSI53C876 SCSI function is selected</li> <li>• The LSI53C876 SCSI function is reselected</li> <li>• A SCSI gross error occurs</li> <li>• An unexpected disconnect occurs</li> <li>• A SCSI reset occurs</li> <li>• A parity error is detected</li> <li>• The handshake-to-handshake timer is expired</li> <li>• The general purpose timer is expired</li> </ul> <p>To determine exactly which condition(s) caused the interrupt, read the <a href="#">SCSI Interrupt Status Zero (SIST0)</a> and <a href="#">SCSI Interrupt Status One (SIST1)</a> registers.</p>



**Register: 0x19**  
**Chip Test One (CTEST1)**  
**Read Only**

7				4			3			0	
FMT[3:0]				FFL[3:0]							
1	1	1	1	0	0	0	0	0	0	0	

**FMT[3:0]**      **Byte Empty in DMA FIFO**      **[7:4]**  
 These bits identify the bottom bytes in the DMA FIFO that are empty. Each bit corresponds to a byte lane in the DMA FIFO. For example, if byte lane three is empty, then FMT3 is set. Since the FMT flags indicate the status of bytes at the bottom of the FIFO, if all FMT bits are set, the DMA FIFO is empty.

**FFL[3:0]**      **Byte Full in DMA FIFO**      **[3:0]**  
 These status bits identify the top bytes in the DMA FIFO that are full. Each bit corresponds to a byte lane in the DMA FIFO. For example, if byte lane three is full then FFL3 is set. Since the FFL flags indicate the status of bytes at the top of the FIFO, if all FFL bits are set, the DMA FIFO is full.

**Register: 0x1A**  
**Chip Test Two (CTEST2)**  
**Read Only**

7	6	5	4	3	2	1	0
DDIR	SIGP	CIO	CM	SRTCH	TEOP	DREQ	DACK
0	0	x	x	0	0	0	1

**DDIR**      **Data Transfer Direction**      **7**  
 This status bit indicates which direction data is being transferred. When this bit is set, the data is transferred from the SCSI bus to the host bus. When this bit is clear, the data is transferred from the host bus to the SCSI bus.

**SIGP**      **Signal Process**      **6**  
 This bit is a copy of the SIGP bit in the [Interrupt Status \(ISTAT\)](#) register (bit 5). The SIGP bit signals a running SCRIPTS instruction. When this register is read, the SIGP bit in the ISTAT register is cleared.

<b>CIO</b>	<b>Configured as I/O</b>	<b>5</b>
	This bit is defined as the Configuration I/O Enable Status bit. This read only bit indicates if the chip is currently enabled as I/O space.	
	<u>Note:</u> Both bits 4 and 5 may be set if the chip is dual-mapped.	
<b>CM</b>	<b>Configured as Memory</b>	<b>4</b>
	This bit is defined as the configuration memory enable status bit. This read only bit indicates if the chip is currently enabled as memory space.	
	<u>Note:</u> Both bits 4 and 5 may be set if the chip is dual-mapped.	
<b>SRTCH</b>	<b>SCRATCHA/B Operation</b>	<b>3</b>
	This bit controls the operation of the <a href="#">Scratch Register A (SCRATCHA)</a> and <a href="#">Scratch Register B (SCRATCHB)</a> registers. When it is set, SCRATCHB contains the RAM base address value from the PCI configuration RAM Base Address register. This is the base address for the 4 Kbytes internal RAM. In addition, the SCRATCHA register displays the memory-mapped based address of the chip operating registers. When this bit is cleared, the <a href="#">Scratch Register A (SCRATCHA)</a> and <a href="#">Scratch Register B (SCRATCHB)</a> registers return to normal operation.	
	Bit 3 is the only writable bit in this register. All other bits are read only. When modifying this register, all other bits must be written to zero. Do not execute a read-modify-write to this register.	
<b>TEOP</b>	<b>SCSI True End of Process</b>	<b>2</b>
	This bit indicates the status of the LSI53C876 SCSI function's internal TEOP signal. The TEOP signal acknowledges the completion of a transfer through the SCSI portion of the LSI53C876 SCSI function. When this bit is set, TEOP is active. When this bit is clear, TEOP is inactive.	
<b>DREQ</b>	<b>Data Request Status</b>	<b>1</b>
	This bit indicates the status of the LSI53C876 SCSI function's internal Data Request signal (DREQ). When this bit is set, DREQ is active. When this bit is clear, DREQ is inactive.	

**DACK**                      **Data Acknowledge Status**                      **0**

This bit indicates the status of the LSI53C876 SCSI function's internal Data Acknowledge signal (DACK/). When this bit is set, DACK/ is inactive. When this bit is clear, DACK/ is active.

**Register: 0x1B**  
**Chip Test Three (CTEST3)**  
**Read/Write**

7	4	3	2	1	0		
V[3:0]				FLF	CLF	FM	WRIE
x	x	x	x	0	0	0	0

**V[3:0]**                      **Chip Revision Level**                      **[7:4]**

These bits identify the chip revision level for software purposes. It should have the same value as the lower nibble of the PCI [Revision ID](#) register.

**FLF**                      **Flush DMA FIFO**                      **3**

When this bit is set, data residing in the DMA FIFO is transferred to memory, starting at the address in the [DMA Next Address \(DNAD\)](#) register. The internal DMAWR signal, controlled by the [Chip Test Five \(CTEST5\)](#) register, determines the direction of the transfer. This bit is not self-clearing; clear it once the data is successfully transferred by the LSI53C876 SCSI function.

Note:      Polling of FIFO flags is allowed during flush operations.

**CLF**                      **Clear DMA FIFO**                      **2**

When this bit is set, all data pointers for the DMA FIFO are cleared. Any data in the FIFO is lost. After the LSI53C876 SCSI function successfully clears the appropriate FIFO pointers and registers, this bit automatically clears.

Note:      This bit does not clear the data visible at the bottom of the FIFO.

**FM** **Fetch Pin Mode** **1**

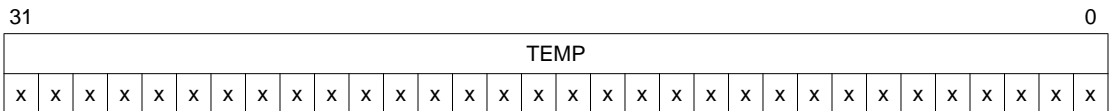
When set, this bit causes the FETCH/ pin to deassert during indirect and table indirect read operations. FETCH/ is only active during the opcode portion of an instruction fetch. This allows the storage of SCRIPTS in a PROM while data tables are stored in RAM.

If this bit is not set, FETCH/ is asserted for all bus cycles during instruction fetches.

**WRIE** **Write and Invalidate Enable** **0**

This bit, when set, causes the issuing of Write and Invalidate commands on the PCI bus whenever legal. The Write and Invalidate Enable bit in the PCI Configuration Command register must also be set in order for the chip to generate Write and Invalidate commands.

**Registers: 0x1C–0x1F**  
**Temporary (TEMP)**  
**Read/Write**

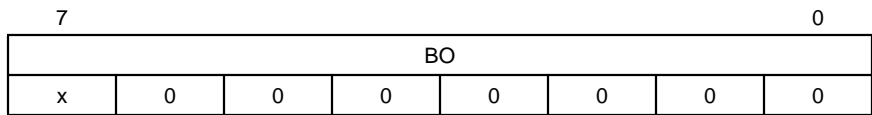


**TEMP** **Temporary** **[31:0]**

This 32-bit register stores the Return instruction address pointer from the Call instruction. The address pointer stored in this register is loaded into the [DMA SCRIPTS Pointer \(DSP\)](#) register when a Return instruction is executed. This address points to the next instruction to execute. Do not write to this register while the LSI53C876 SCSI function is executing SCRIPTS.

During any Memory-to-Memory Move operation, the contents of this register are preserved. The power-up value of this register is indeterminate.

**Register: 0x20**  
**DMA FIFO (DFIFO)**  
**Read/Write**



**BO** **Byte Offset Counter** **[7:0]**

These bits, along with bits [1:0] in the [Chip Test Five \(CTEST5\)](#) register, indicate the amount of data transferred between the SCSI core and the DMA core. It determines the number of bytes in the DMA FIFO when an interrupt occurs. These bits are unstable while data is being transferred between the two cores. Once the chip has stopped transferring data, these bits are stable.

The DFIFO register counts the number of bytes transferred between the DMA core and the SCSI core. The [DMA Byte Counter \(DBC\)](#) register counts the number of bytes transferred across the host bus. The difference between these two counters represents the number of bytes remaining in the DMA FIFO.

The following steps determine how many bytes are left in the DMA FIFO when an error occurs, regardless of the transfer direction:

- If the DMA FIFO size is set to 88 bytes, subtract the seven least significant bits of the [DMA Byte Counter \(DBC\)](#) register from the 7-bit value of the DFIFO register. If the DMA FIFO size is set to 536 bytes (using bit 5 of the CTEST register), subtract the 10 least significant bits of the [DMA Byte Counter \(DBC\)](#) register from the 10-bit value of the DMA FIFO Byte Offset Counter, which is made up of the CTEST register (bits 1 and 0) and the [DMA FIFO \(DFIFO\)](#) register (bits [7:0]).
- If the DMA FIFO size is set to 88 bytes, AND the result with 0x7F for a byte count between zero and 64. If the DMA FIFO size is set to 536 bytes, AND the result with 0x3FF for a byte count between zero and 536.





**MPEE****Master Parity Error Enable****3**

Setting this bit enables parity checking during master data phases. A parity error during a bus master read is detected by the LSI53C876 SCSI function. A parity error during a bus master write is detected by the target, and the LSI53C876 SCSI function is informed of the error by the PERR/ pin being asserted by the target. When this bit is cleared, the LSI53C876 SCSI function does not interrupt if a master parity error occurs. This bit is cleared at power-up.

**FBL[2:0]****FIFO Byte Control****[2:0]**

FBL2	FBL1	FBL0	DMA FIFO Byte Lane	Pins
0	x	x	Disabled	N/A
1	0	0	0	D[7:0]
1	0	1	1	D[15:8]
1	1	0	2	D[23:16]
1	1	1	3	D[31:24]

These bits steer the contents of the [Chip Test Six \(CTEST6\)](#) register to the appropriate byte lane of the 32-bit DMA FIFO. If the FBL2 bit is set, then FBL1 and FBL0 determine which of four byte lanes can be read or written. When cleared, the byte lane which is read or written is determined by the current contents of the [DMA Next Address \(DNAD\)](#) and [DMA Byte Counter \(DBC\)](#) registers. Each of the four bytes that make up the 32-bit DMA FIFO is accessed by writing these bits to the proper value. For normal operation, FBL2 must equal zero.

**Register: 0x22**  
**Chip Test Five (CTEST5)**  
**Read/Write**

7	6	5	4	3	2	1	0
ADCK	BBCK	DFS	MASR	DDIR	BL2	BO[9:8]	
0	0	0	0	0	0	0	0

- ADCK**                      **Clock Address Incrementor**                      **7**  
Setting this bit increments the address pointer contained in the [DMA Next Address \(DNAD\)](#) register. The DNAD register is incremented based on the DNAD contents and the current DBC value. This bit automatically clears itself after incrementing the [DMA Next Address \(DNAD\)](#) register.
- BBCK**                      **Clock Byte Counter**                      **6**  
Setting this bit decrements the byte count contained in the 24-bit [DMA Byte Counter \(DBC\)](#) register. It is decremented based on the DBC contents and the current DNAD value. This bit automatically clears itself after decrementing the DBC register.
- DFS**                      **DMA FIFO Size**                      **5**  
This bit controls the size of the DMA FIFO. When clear, the DMA FIFO appears as only 88 bytes deep. When set, the DMA FIFO size increases to 536 bytes. Using an 88-byte FIFO allows software written for other LSI53C8XX family chips to properly calculate the number of bytes residing in the chip after a target disconnect. The default value of this bit is zero.
- MASR**                      **Master Control for Set or Reset Pulses**                      **4**  
This bit controls the operation of bit 3. When this bit is set, bit 3 asserts the corresponding signals. When this bit is reset, bit 3 deasserts the corresponding signals. Do not change this bit and bit 3 in the same write cycle.
- DDIR**                      **DMA Direction**                      **3**  
Setting this bit either asserts or deasserts the internal DMA Write (DMAWR) direction signal depending on the current status of the MASR bit in this register. Asserting the DMAWR signal indicates that data is transferred from the SCSI bus to the host bus. Deasserting the DMAWR signal transfers data from the host bus to the SCSI bus.



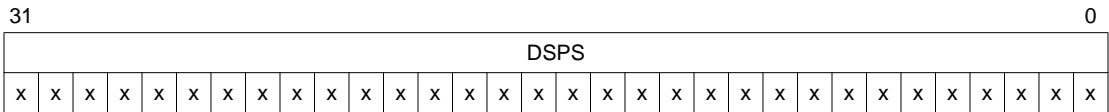




normal SCRIPTS operation, once the starting address of the SCRIPT is written to this register, SCRIPTS are automatically fetched and executed until an interrupt condition occurs.

In single step mode, there is a single step interrupt after each instruction is executed. The **DMA SCRIPTS Pointer (DSP)** register does not need to be written with the next address, but the Start DMA bit (bit 2, **DMA Control (DCNTL)** register) must be set each time the step interrupt occurs to fetch and execute the next SCRIPTS command. When writing this register eight bits at a time, writing the upper eight bits begins execution of SCSI SCRIPTS. The default value of this register is zero.

**Registers: 0x30–0x33**  
**DMA SCRIPTS Pointer Save (DSPS)**  
 Read/Write



**DSPS** **DMA SCRIPTS Pointer Save** **[31:0]**  
 This register contains the second Dword of a SCRIPTS instruction. It is overwritten each time a SCRIPTS instruction is fetched. When a SCRIPTS interrupt instruction is executed, this register holds the interrupt vector. The power-up value of this register is indeterminate.





during normal operation. The fairness delay is not inserted during PCI retry cycles. This gives the CPU and other bus master devices the opportunity to access the PCI bus between bursts.

<b>BL2 (CTEST5 bit 2)</b>	<b>BL1</b>	<b>BL0</b>	<b>Burst Length</b>
0	0	0	2-transfer burst
0	0	1	4-transfer burst
0	1	0	8-transfer burst
0	1	1	16-transfer burst
1	0	0	32-transfer burst <sup>1</sup>
1	0	1	64-transfer burst <sup>1</sup>
1	1	0	128-transfer burst <sup>1</sup>
1	1	1	Reserved

1. Only valid if the FIFO size is set to 536 bytes.

#### **SIOM** **Source I/O Memory Enable** **5**

This bit is defined as an I/O Memory Enable bit for the source address of a Memory Move or Block Move Command. If this bit is set, then the source address is in I/O space; and if cleared, then the source address is in memory space.

This function is useful for register-to-memory operations using the Memory Move instruction when a LSI53C876 SCSI function is I/O mapped. Bits 4 and 5 of the [Chip Test Two \(CTEST2\)](#) register determine the configuration status of the LSI53C876 SCSI function.

#### **DIOM** **Destination I/O Memory Enable** **4**

This bit is defined as an I/O Memory Enable bit for the destination address of a Memory Move or Block Move Command. If this bit is set, then the destination address is in I/O space; and if cleared, then the destination address is in memory space.

This function is useful for memory-to-register operations using the Memory Move instruction when a LSI53C876 SCSI function is I/O mapped. Bits 4 and 5 of the [Chip Test Two \(CTEST2\)](#) register determine the configuration status of the LSI53C876 SCSI function.

<b>ERL</b>	<b>Enable Read Line</b>	<b>3</b>
	This bit enables a PCI Read Line command. If this bit is set and the chip is about to execute a read cycle other than an opcode fetch, then the command is 0b1110.	
<b>ERMP</b>	<b>Enable Read Multiple</b>	<b>2</b>
	If this bit is set and cache mode is enabled, a Read Multiple command is used on all read cycles when it is legal.	
<b>BOF</b>	<b>Burst Opcode Fetch Enable</b>	<b>1</b>
	Setting this bit causes the LSI53C876 SCSI function to fetch instructions in burst mode. Specifically, the chip bursts in the first two Dwords of all instructions using a single bus ownership. If the instruction is a Memory-to-Memory Move type, the third Dword is accessed in a subsequent bus ownership. If the instruction is an indirect type, the additional Dword is accessed in a subsequent bus ownership. If the instruction is a table indirect block move type, the chip accesses the remaining two Dwords in a subsequent bus ownership, thereby fetching the four Dwords required in two bursts of two Dwords each. If prefetch is enabled, this bit has no effect. This bit also has no effect on fetches out of SCRIPTS RAM.	
<b>MAN</b>	<b>Manual Start Mode</b>	<b>0</b>
	Setting this bit prevents the LSI53C876 SCSI function from automatically fetching and executing SCSI SCRIPTS when the <a href="#">DMA SCRIPTS Pointer (DSP)</a> register is written. When this bit is set, the Start DMA bit in the <a href="#">DMA Control (DCNTL)</a> register must be set to begin SCRIPTS execution. Clearing this bit causes the LSI53C876 SCSI function to automatically begin fetching and executing SCSI SCRIPTS when the <a href="#">DMA SCRIPTS Pointer (DSP)</a> register is written. This bit normally is not used for SCSI SCRIPTS operations.	

**Register: 0x39**  
**DMA Interrupt Enable (DIEN)**  
Read/Write

7	6	5	4	3	2	1	0
R	MDPE	BF	ABRT	SSI	SIR	R	IID
x	0	0	0	0	0	x	0

<b>R</b>	<b>Reserved</b>	<b>7</b>
<b>MDPE</b>	<b>Master Data Parity Error</b>	<b>6</b>
<b>BF</b>	<b>Bus Fault</b>	<b>5</b>
<b>ABRT</b>	<b>Aborted</b>	<b>4</b>
<b>SSI</b>	<b>Single Step Interrupt</b>	<b>3</b>
<b>SIR</b>	<b>SCRIPTS Interrupt Instruction Received</b>	<b>2</b>
<b>R</b>	<b>Reserved</b>	<b>1</b>
<b>IID</b>	<b>Illegal Instruction Detected</b>	<b>0</b>

This register contains the interrupt mask bits corresponding to the interrupting conditions described in the [DMA Status \(DSTAT\)](#) register. An interrupt is masked by clearing the appropriate mask bit. Masking an interrupt prevents INTA/ (for Function A) or INTB/ (for Function B) from being asserted for the corresponding interrupt, but the status bit is still set in the DSTAT register. Masking an interrupt does not prevent setting the ISTAT DIP. All DMA interrupts are considered fatal, therefore SCRIPTS stops running when this condition occurs, whether or not the interrupt is masked. Setting a mask bit enables the assertion of INTA/, or INTB/, for the corresponding interrupt. (A masked nonfatal interrupt does not prevent unmasked or fatal interrupts from getting through; interrupt stacking begins when either the ISTAT SIP or DIP bit is set.)

The INTA/ and INTB/ outputs are latched. Once asserted, they remain asserted until the interrupt is cleared by reading the appropriate status register. Masking an interrupt after the INTA/, or INTB/, output is asserted does not cause deassertion of INTA/, or INTB/.

For more information on interrupts, see [Chapter 2, "Functional Description."](#)

**Register: 0x3A**  
**Scratch Byte Register (SBR)**  
 Read/Write

7							0
SBR							
0	0	0	0	0	0	0	0

**SBR**                      **Scratch Byte Register**                      **[7:0]**

This is a general purpose register. Apart from CPU access, only Register Read/Write and Memory Moves into this register alter its contents. The default value of this register is zero. This register is called the DMA Watchdog Timer on previous LSI53C8XX family products.

**Register: 0x3B**  
**DMA Control (DCNTL)**  
 Read/Write

7	6	5	4	3	2	1	0
CLSE	PFF	PFEN	SSM	INTM	STD	INTD	COM
0	0	0	0	0	0	0	0

**CLSE**                      **Cache Line Size Enable**                      **7**

Setting this bit enables the LSI53C876 SCSI function to sense and react to cache line boundaries set up by the [DMA Mode \(DMODE\)](#) or PCI [Cache Line Size](#) register, whichever contains the smaller value. Clearing this bit disables the cache line size logic and the LSI53C876 SCSI function monitors the cache line size using the [DMA Mode \(DMODE\)](#) register.

**PFF**                      **Prefetch Flush**                      **6**

Setting this bit causes the prefetch unit to flush its contents. The bit clears after the flush is complete.

**PFEN**                      **Prefetch Enable**                      **5**

Setting this bit enables the prefetch unit if the burst size is equal to or greater than four. For more information on SCRIPTS instruction prefetching, see [Chapter 2, "Functional Description."](#)

<b>SSM</b>	<b>Single Step Mode</b>	<b>4</b>
	<p>Setting this bit causes the LSI53C876 SCSI function to stop after executing each SCRIPTS instruction, and generate a single step interrupt. When this bit is cleared the LSI53C876 SCSI function does not stop after each instruction. It continues fetching and executing instructions until an interrupt condition occurs. For normal SCSI SCRIPTS operation, keep this bit clear. To restart the LSI53C876 SCSI function after it generates a SCRIPTS Step interrupt, read the <a href="#">Interrupt Status (ISTAT)</a> and <a href="#">DMA Status (DSTAT)</a> registers to recognize and clear the interrupt. Then set the START DMA bit in this register.</p>	
<b>INTM</b>	<b>INTA Mode</b>	<b>3</b>
	<p>When set, this bit enables a totem pole driver for the INTA/, or INTB/ pin. When cleared, this bit enables an open drain driver for the INTA/, or INTB/, pin with an internal weak pull-up. This bit is reset at power up. The bit should remain clear to retain full PCI compliance.</p>	
<b>STD</b>	<b>Start DMA Operation</b>	<b>2</b>
	<p>The LSI53C876 SCSI function fetches a SCSI SCRIPTS instruction from the address contained in the <a href="#">DMA SCRIPTS Pointer (DSP)</a> register when this bit is set. This bit is required if the LSI53C876 SCSI function is in one of the following modes:</p> <ul style="list-style-type: none"> <li>• Manual start mode – Bit 0 in the <a href="#">DMA Mode (DMODE)</a> register is set</li> <li>• Single step mode – Bit 4 in the <a href="#">DMA Control (DCNTL)</a> register is set</li> </ul> <p>When the LSI53C876 SCSI function is executing SCRIPTS in manual start mode, the Start DMA bit must be set to start instruction fetches, but need not be set again until an interrupt occurs. When the LSI53C876 SCSI function is in single step mode, set the Start DMA bit to restart execution of SCRIPTS after a single step interrupt.</p>	
<b>IRQD</b>	<b>INTA, INTB Disable</b>	<b>1</b>
	<p>Setting this bit disables the INTA (for SCSI Function A), or INTB (for SCSI Function B) pin. Clearing the bit enables normal operation. As with any other register</p>	



## Register: 0x40

### SCSI Interrupt Enable Zero (SIEN0)

Read/Write

7	6	5	4	3	2	1	0
M/A	CMP	SEL	RSL	SGE	UDC	RST	PAR
0	0	0	0	0	0	0	0

This register contains the interrupt mask bits corresponding to the interrupting conditions described in the [SCSI Interrupt Status Zero \(SIST0\)](#) register. An interrupt is masked by clearing the appropriate mask bit. For more information on interrupts, see [Chapter 2, "Functional Description."](#)

<b>M/A</b>	<b>SCSI Phase Mismatch - Initiator Mode; SCSI ATN Condition - Target Mode</b>	<b>7</b>
	Setting this bit allows the LSI53C876 to generate an interrupt when a Phase Mismatch or ATN condition occurs. In initiator mode, this bit is set when the SCSI phase asserted by the target and sampled during SREQ/ does not match the expected phase in the <a href="#">SCSI Output Control Latch (SOCL)</a> register. This expected phase is automatically written by SCSI SCRIPTS. In target mode, this bit is set when the initiator asserts SATN/. See the Disable Halt on Parity Error or SATN/ Condition bit in the <a href="#">SCSI Control One (SCNTL1)</a> register for more information on when this status is actually raised.	
<b>CMP</b>	<b>Function Complete</b>	<b>6</b>
	Setting this bit allows the LSI53C876 to generate an interrupt when a full arbitration and selection sequence has completed.	
<b>SEL</b>	<b>Selected</b>	<b>5</b>
	Setting this bit allows the LSI53C876 to generate an interrupt when the LSI53C876 has been selected by another SCSI device. Set the Enable Response to Selection bit in the <a href="#">SCSI Chip ID (SCID)</a> register for this to occur.	

<b>RSL</b>	<b>Reselected</b>	<b>4</b>
	<p>Setting this bit allows the LSI53C876 to generate an interrupt when the LSI53C876 has been reselected by another SCSI device. Set the Enable Response to Reselection bit in the <a href="#">SCSI Chip ID (SCID)</a> register for this to occur.</p>	
<b>SGE</b>	<b>SCSI Gross Error</b>	<b>3</b>
	<p>Setting this bit allows the LSI53C876 to generate an interrupt when a SCSI gross error occurs. The following conditions are considered SCSI Gross Errors:</p> <ul style="list-style-type: none"> <li>• Data underflow – reading the SCSI FIFO when no data is present.</li> <li>• Data overflow – writing the SCSI FIFO while it is full.</li> <li>• Offset underflow – receiving a SACK/ pulse in target mode before the corresponding SREQ/ is sent.</li> <li>• Offset overflow – receiving an SREQ/ pulse in the initiator mode, and exceeding the maximum offset (defined by the MO[3:0] bits in the <a href="#">SCSI Transfer (SXFER)</a> register).</li> <li>• A phase change in the initiator mode, with an outstanding SREQ/SACK offset.</li> <li>• Residual data in SCSI FIFO – starting a transfer other than synchronous data receive with data left in the SCSI synchronous receive FIFO.</li> </ul>	
<b>UDC</b>	<b>Unexpected Disconnect</b>	<b>2</b>
	<p>Setting this bit allows the LSI53C876 to generate an interrupt when an unexpected disconnect occurs. This condition only occurs in the initiator mode. It happens when the target to which the LSI53C876 is connected disconnects from the SCSI bus unexpectedly. See the SCSI Disconnect Unexpected bit in the <a href="#">SCSI Control Two (SCNTL2)</a> register for more information on expected versus unexpected disconnects. Any disconnect in low level mode causes this condition.</p>	



- RST**                    **SCSI Reset Condition**                    **1**  
 Setting this bit allows the LSI53C876 to generate an interrupt when the SRST/ signal has been asserted by the LSI53C876 or any other SCSI device. This condition is edge-triggered, so multiple interrupts cannot occur because of a single SRST/ pulse.
- PAR**                    **SCSI Parity Error**                    **0**  
 Setting this bit allows the LSI53C876 to generate an interrupt when the LSI53C876 detects a parity error while receiving or sending SCSI data. See the Disable Halt on Parity Error or SATN/ Condition bits in the [SCSI Control One \(SCNTL1\)](#) register for more information on when this condition is actually raised.

**Register: 0x41**  
**SCSI Interrupt Enable One (SIEN1)**  
 Read/Write

7				4	3	2	1	0
R				WIE	STO	GEN	HTH	
x	x	x	x	0	0	0	0	

This register contains the interrupt mask bits corresponding to the interrupting conditions described in the [SCSI Interrupt Status One \(SIST1\)](#) register. An interrupt is masked by clearing the appropriate mask bit. For more information on interrupts, refer to [Chapter 2, “Functional Description.”](#)

- R**                    **Reserved**                    **[7:4]**
- WIE**                    **Wakeup Interrupt Enable**                    **3**  
 Setting this bit allows the LSI53C876E to enable /IRQ on SCSI reset.
- STO**                    **Selection or Reselection Time-out**                    **2**  
 Setting this bit allows the LSI53C876 to generate an interrupt when a selection or reselection time-out occurs. See the description of the [SCSI Timer Zero \(STIME0\)](#) register bits [3:0] for more information on the time-out periods.

- GEN**                      **General Purpose Timer Expired**                      **1**  
 Setting this bit allows the LSI53C876 to generate an interrupt when the general purpose timer has expired. The time measured is the time between enabling and disabling of the timer. See the description of the [SCSI Timer One \(STIME1\)](#) register, bits [3:0], for more information on the general purpose timer.
- HTH**                      **Handshake-to-Handshake Timer Expired**                      **0**  
 Setting this bit allows the LSI53C876 to generate an interrupt when the handshake-to-handshake timer has expired. The time measured is the SCSI Request-to-Request (target) or Acknowledge-to-Acknowledge (initiator) period. See the description of the [SCSI Timer Zero \(STIME0\)](#) register, bits [7:4], for more information on the handshake-to-handshake timer.

**Register: 0x42**  
**SCSI Interrupt Status Zero (SIST0)**  
**Read Only**

7	6	5	4	3	2	1	0
M/A	CMP	SEL	RSL	SGE	UDC	RST	PAR
0	0	0	0	0	0	0	0

Reading the SIST0 register returns the status of the various interrupt conditions, whether they are enabled in the [SCSI Interrupt Enable Zero \(SIEN0\)](#) register or not. Each bit set indicates occurrence of the corresponding condition. Reading the SIST0 clears the interrupt status.

Reading this register clears any bits that are set at the time the register is read, but does not necessarily clear the register because additional interrupts may be pending (the LSI53C876 SCSI functions stacks interrupts). SCSI interrupt conditions are individually masked through the [SCSI Interrupt Enable Zero \(SIEN0\)](#) register.

When performing consecutive 8-bit reads of the [DMA Status \(DSTAT\)](#), [SCSI Interrupt Status Zero \(SIST0\)](#), and [SCSI Interrupt Status One \(SIST1\)](#) registers (in any order), insert a delay equivalent to 12 CLK periods between the reads to ensure the interrupts clear properly. Also, if reading the registers when both the ISTAT SIP and DIP bits may not be set, read the [SCSI Interrupt Status Zero \(SIST0\)](#) and [SCSI Interrupt](#)

Status One (SIST1) registers before the DMA Status (DSTAT) register to avoid missing a SCSI interrupt. For more information on interrupts, refer to Chapter 2, “Functional Description.”

<b>M/A</b>	<b>Initiator Mode: Phase Mismatch; Target Mode: SATN/ Active</b>	<b>7</b>
	In the initiator mode, this bit is set if the SCSI phase asserted by the target does not match the instruction. The phase is sampled when SREQ/ is asserted by the target. In target mode, this bit is set when the SATN/ signal is asserted by the initiator.	
<b>CMP</b>	<b>Function Complete</b>	<b>6</b>
	This bit is set when an arbitration only or full arbitration sequence is completed.	
<b>SEL</b>	<b>Selected</b>	<b>5</b>
	This bit is set when the LSI53C876 SCSI function is selected by another SCSI device. The Enable Response to Selection bit must be set in the <a href="#">SCSI Chip ID (SCID)</a> register (and the RESPID register must hold the chip's ID) for the LSI53C876 SCSI function to respond to selection attempts.	
<b>RSL</b>	<b>Reselected</b>	<b>4</b>
	This bit is set when the LSI53C876 SCSI function is reselected by another SCSI device. The Enable Response to Reselection bit must be set in the <a href="#">SCSI Chip ID (SCID)</a> register (and the RESPID register must hold the chip's ID) for the LSI53C876 SCSI function to respond to reselection attempts.	
<b>SGE</b>	<b>SCSI Gross Error</b>	<b>3</b>
	This bit is set when the LSI53C876 SCSI function encounters a SCSI Gross Error Condition. The following conditions can result in a SCSI Gross Error Condition:	
	<ul style="list-style-type: none"><li>• Data Underflow – reading the SCSI FIFO when register when no data is present.</li><li>• Data Overflow – writing too many bytes to the SCSI FIFO, or the synchronous offset causes overwriting the SCSI FIFO.</li><li>• Offset Underflow – the LSI53C876 SCSI function is operating in target mode and a SACK/ pulse is received when the outstanding offset is zero.</li></ul>	

- Offset Overflow – the other SCSI device sends a SREQ/ or SACK/ pulse with data which exceeds the maximum synchronous offset defined by the [SCSI Transfer \(SXFER\)](#) register.
- A phase change occurs with an outstanding synchronous offset when the LSI53C876 SCSI function is operating as an initiator.
- Residual data in the synchronous data FIFO – a transfer other than synchronous data receive is started with data left in the synchronous data FIFO.

<b>UDC</b>	<b>Unexpected Disconnect</b>	<b>2</b>
	This bit is set when the LSI53C876 SCSI function is operating in initiator mode and the target device unexpectedly disconnects from the SCSI bus. This bit is only valid when the LSI53C876 SCSI function operates in the initiator mode. When the SCSI function operates in low level mode, any disconnect causes an interrupt, even a valid SCSI disconnect. This bit is also set if a selection time-out occurs (it may occur before, at the same time, or stacked after the STO interrupt, since this is not considered an expected disconnect).	
<b>RST</b>	<b>SCSI RST/ Received</b>	<b>1</b>
	This bit is set when the LSI53C876 SCSI function detects an active SRST/ signal, whether the reset is generated external to the chip or caused by the Assert SRST/ bit in the <a href="#">SCSI Control One (SCNTL1)</a> register. This SCSI reset detection logic is edge-sensitive, so that multiple interrupts are not generated for a single assertion of the SRST/ signal.	
<b>PAR</b>	<b>Parity Error</b>	<b>0</b>
	This bit is set when the LSI53C876 SCSI function detects a parity error while receiving SCSI data. The Enable Parity Checking bit (bit 3 in the <a href="#">SCSI Control Zero (SCNTL0)</a> register) must be set for this bit to become active. The LSI53C876 SCSI function always generates parity when sending SCSI data.	

**Register: 0x43**  
**SCSI Interrupt Status One (SIST1)**  
**Read Only**

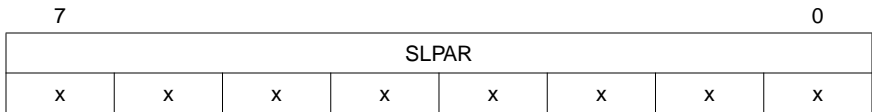
7					3	2	1	0
R					STO	GEN	HTH	
x	x	x	x	x	0	0	0	

Reading the SIST1 register returns the status of the various interrupt conditions, whether they are enabled in the [SCSI Interrupt Enable One \(SIEN1\)](#) register or not. Each bit that is set indicates an occurrence of the corresponding condition.

Reading the SIST1 clears the interrupt condition.

<b>R</b>	<b>Reserved</b>	<b>[7:3]</b>
<b>STO</b>	<b>Selection or Reselection Time-out</b> The SCSI device which the LSI53C876 SCSI function is attempting to select or reselect does not respond within the programmed time-out period. See the description of the <a href="#">SCSI Timer Zero (STIME0)</a> register, bits [3:0], for more information on the time-out timer.	<b>2</b>
<b>GEN</b>	<b>General Purpose Timer Expired</b> This bit is set when the general purpose timer expires. The time measured is the time between enabling and disabling of the timer. See the description of the <a href="#">SCSI Timer One (STIME1)</a> register, bits [3:0], for more information on the general purpose timer.	<b>1</b>
<b>HTH</b>	<b>Handshake-to-Handshake Timer Expired</b> This bit is set when the handshake-to-handshake timer expires. The time measured is the SCSI Request to Request (target) or Acknowledge-to-Acknowledge (initiator) period. See the description of the <a href="#">SCSI Timer Zero (STIME0)</a> register, bits [7:4], for more information on the handshake-to-handshake timer.	<b>0</b>

**Register: 0x44**  
**SCSI Longitudinal Parity (SLPAR)**  
 Read/Write



**SLPAR**                      **SCSI Longitudinal Parity**                      **[7:0]**

This register performs a bitwise longitudinal parity check on all SCSI data received or sent through the SCSI core. If one of the bytes received or sent (usually the last) is the set of correct even parity bits, SLPAR should go to zero (assuming it started at zero). As an example, suppose that the following three data bytes and one check byte are received from the SCSI bus (all signals are shown active HIGH):

Data Bytes	Running SLPAR
–	00000000
1. 11001100	11001100 (XOR of word 1)
2. 01010101	10011001 (XOR of word 1 and 2)
3. 00001111	10010110 (XOR of word 1, 2 and 3) Even parity >>> 10010110
4. 10010110	00000000

A one in any bit position of the final SLPAR value would indicate a transmission error.

The [SCSI Longitudinal Parity \(SLPAR\)](#) register also generates the check bytes for SCSI send operations. If the SLPAR register contains all zeros prior to sending a block move, it contains the appropriate check byte at the end of the block move. This byte must then be sent across the SCSI bus.

Note: Writing any value to this register resets it to zero.



**Register: 0x46**  
**Memory Access Control (MACNTL)**  
Read/Write

7				4	3			0
TYP[3:0]				R				
0	1	1	1	x	x	x	x	

**TYP[3:0]**      **Chip Type**      **[7:4]**  
These bits identify the chip type for software purposes. This technical manual applies to devices that have these bits set to 0x70.

**R**      **Reserved**      **[3:0]**

**Register: 0x47**  
**General Purpose Pin Control (GPCNTL)**  
Read/Write

7		6	5	4	2		1	0
ME	FE	R	GPIO[4:2]			GPIO[1:0]		
0	0	x	0	1	1	1	1	

This register determines if the pins controlled by the [General Purpose \(GPREG\)](#) are inputs or outputs. Bits [4:0] in GPCNTL correspond to bits [4:0] in the GPREG register. When the bits are enabled as inputs, an internal pull-up is also enabled. If either SCSI function [General Purpose Pin Control \(GPCNTL\)](#) register has a GPIO pin set as an output, the pin is enabled as an output. If both the SCSI function GPREG registers define a single GPIO pin as an output, the results are indeterminate.

**ME**      **Master Enable**      **7**  
The internal bus master signal is presented on GPIO1 if this bit is set, regardless of the state of bit 1 (GPIO1\_EN).

**FE**      **Fetch Enable**      **6**  
The internal opcode fetch signal is presented on GPIO0 if this bit is set, regardless of the state of bit 0 (GPIO0\_EN).



<b>R</b>	<b>Reserved</b>	<b>5</b>
<b>GPIO[4:2]</b>	<b>GPIO Enable</b> General purpose control, corresponding to bit 4 in the <a href="#">General Purpose (GPREG)</a> register and the GPIO4 pin. GPIO4 powers-up as a general purpose output, and GPIO[3:2] power-up as general purpose inputs.	<b>[4:2]</b>
<b>GPIO[1:0]</b>	<b>GPIO Enable</b> These bits power-up set, causing the GPIO1 and GPIO0 pins to become inputs. Clearing these bits causes GPIO[1:0] to become outputs.	<b>[1:0]</b>

**Register: 0x48**  
**SCSI Timer Zero (STIME0)**  
Read/Write

7				4			3			0	
HTH[3:0]				SEL[3:0]							
0	0	0	0	0	0	0	0	0	0	0	

**HTH**      **Handshake-to-Handshake Timer Period**      **[7:4]**  
These bits select the handshake-to-handshake time-out period, the maximum time between SCSI handshakes (SREQ/ to SREQ/ in target mode, or SACK/ to SACK/ in initiator mode). When this timing is exceeded, an interrupt is generated and the HTH bit in the [SCSI Interrupt Status One \(SIST1\)](#) register is set. The following table contains time-out periods for the Handshake-to-Handshake Timer, the Selection/Reselection Timer (bits [3:0]), and the General Purpose Timer ([SCSI Timer One \(STIME1\)](#), bits [3:0]). For a more detailed explanation of interrupts, refer to [Chapter 2, “Functional Description.”](#)

HTH[7:4] SEL[3:0] GEN[3:0] <sup>1</sup>	Minimum Time-out (80 MHz Clock) With Scale Factor Bit Cleared	Minimum Time-out (80 MHz Clock) With Scale Factor Bit Set
0000	Disabled	Disabled
0001	100 $\mu$ s	1.6 ms
0010	200 $\mu$ s	3.2 ms
0011	400 $\mu$ s	6.4 ms
0100	800 $\mu$ s	12.8 ms
0101	.6 ms	25.6 ms
0110	3.2 ms	51.2 ms
0111	6.4 ms	102.4 ms
1000	12.8 ms	204.8 ms
1001	25.6 ms	409.6 ms
1010	51.2 ms	819.2 ms
1011	102.4 ms	1.6 s
1100	204.8 ms	3.2 s
1101	409.6 ms	6.4 s
1110	19.2 ms	12.8 s
1111	1.6+ s	25.6 s

1. These values are correct if the CCF bits in the [SCSI Control Three \(SCNTL3\)](#) register are set according to the valid combinations in the bit description.

## SEL

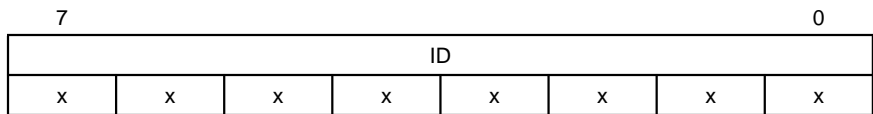
### Selection Time-Out

[3:0]

These bits select the SCSI selection/reselection time-out period. When this timing (plus the 200  $\mu$ s selection abort time) is exceeded, the STO bit in the [SCSI Interrupt Status One \(SIST1\)](#) register is set. For a more detailed explanation of interrupts, refer to [Chapter 2, "Functional Description."](#)



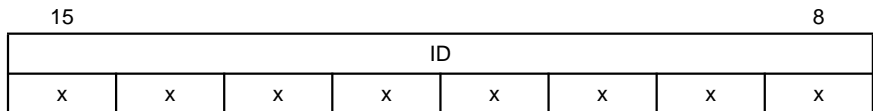
**Register: 0x4A**  
**Response ID Zero (RESPID0)**  
 Read/Write



**RESPID0**      **Response ID Zero**      **[7:0]**

RESPID0 and RESPID1 contain the selection or reselection IDs. In other words, these two 8-bit registers contain the ID that the chip responds to on the SCSI bus. Each bit represents one possible ID with the most significant bit of RESPID1 representing ID 15 and the least significant bit of RESPID0 representing ID 0. The [SCSI Chip ID \(SCID\)](#) register still contains the chip ID used during arbitration. The chip can respond to more than one ID because more than one bit can be set in the [Response ID One \(RESPID1\)](#) and [Response ID Zero \(RESPID0\)](#) registers. However, the chip can arbitrate with only one ID value in the [SCSI Chip ID \(SCID\)](#) register.

**Register: 0x4B**  
**Response ID One (RESPID1)**  
 Read/Write



**RESPID1**      **Response ID One**      **[15:8]**

RESPID0 and RESPID1 contain the selection or reselection IDs. In other words, these two 8-bit registers contain the ID that the chip responds to on the SCSI bus. Each bit represents one possible ID with the most significant bit of RESPID1 representing ID 15 and the least significant bit of RESPID0 representing ID 0. The [SCSI Chip ID \(SCID\)](#) register still contains the chip ID used during arbitration. The chip can respond to more than one ID because more than one bit can be set in the

Response ID One (RESPID1) and Response ID Zero (RESPID0) registers. However, the chip can arbitrate with only one ID value in the SCSI Chip ID (SCID) register.

**Register: 0x4C**  
**SCSI Test Zero (STEST0)**  
 Read Only

7	4	3	2	1	0		
SSAID[3:0]				SLT	ART	SOZ	SOM
0	0	0	0	0	x	1	1

**SSAID[3:0] SCSI Selected As ID [7:4]**

These bits contain the encoded value of the SCSI ID that the LSI53C876 SCSI function is selected or reselected as during a SCSI selection or reselection phase. These bits are read only and contain the encoded value of 0–15 possible IDs that could be used to select the LSI53C876 SCSI function. During a SCSI selection or reselection phase when a valid ID is put on the bus, and the LSI53C876 SCSI function responds to that ID, the “selected as” ID is written into these bits. These bits are used with the RESPID registers to allow response to multiple IDs on the bus.

**SLT Selection Response Logic Test 3**

This bit is set when the LSI53C876 SCSI function is ready to be selected or reselected. This does not take into account the bus settle delay of 400 ns. This bit is used for functional test and fault purposes.

**ART Arbitration Priority Encoder Test 2**

This bit is always set when the LSI53C876 SCSI function exhibits the highest priority ID asserted on the SCSI bus during arbitration. It is primarily used for chip level testing, but it may be used during low level mode operation to determine if the LSI53C876 SCSI function won arbitration.

**SOZ SCSI Synchronous Offset Zero 1**

This bit indicates that the current synchronous SREQ/, SACK/ offset is zero. This bit is not latched and may change at any time. It is used in low level synchronous SCSI operations. When this bit is set, the LSI53C876

SCSI function, as an initiator, is waiting for the target to request data transfers. If the LSI53C876 SCSI function is a target, then the initiator has sent the offset number of acknowledges.

**SOM**                      **SCSI Synchronous Offset Maximum**                      **0**

This bit indicates that the current synchronous SREQ/, SACK/ offset is the maximum specified by bits [3:0] in the [SCSI Transfer \(SXFER\)](#) register. This bit is not latched and may change at any time. It is used in low level synchronous SCSI operations. When this bit is set, the LSI53C876 SCSI function, as a target, is waiting for the initiator to acknowledge the data transfers. If the LSI53C876 SCSI function is an initiator, then the target has sent the offset number of requests.

**Register: 0x4D**  
**SCSI Test One (STEST1)**  
**Read/Write**

7	6	5	4	3	2	1	0
SCLK	SISO	R		DBLEN	DBLSEL	R	
0	0	x	x	0	0	x	x

**SCLK**                      **SCSI Clock**                      **7**

When set, this bit disables the external SCLK (SCSI Clock) pin, and the chip uses the PCI clock as the internal SCSI clock. If a transfer rate of 10 Mbytes/s (or 20 Mbytes/s on a wide SCSI bus) is desired on the SCSI bus, this bit must be cleared and a 40 MHz external SCLK must be provided.

**ISO**                      **SCSI Isolation Mode**                      **6**

This bit allows the LSI53C876 SCSI function to put the SCSI bidirectional and input pins into a low power mode when the SCSI bus is not in use. When this bit is set, the SCSI bus inputs are logically isolated from the SCSI bus.

**R**                      **Reserved**                      **[5:4]**

**DBLEN**                      **SCLK Doubler Enable**                      **3**

This bit, when reset, powers down the internal clock doubler circuit, which doubles the SCLK 40 MHz clock to an internal 80 MHz SCSI clock required for Wide Ultra

SCSI operation. Both the SCLK Doubler Enable DBLEN and SCLK Double Select DBLSEL bits must be set in either SCSI function to get the internal 80 MHz SCSI clock.

<b>DBLSEL</b>	<b>SCLK Doubler Select</b>	<b>2</b>
	This bit, when set, selects the output of the internal clock doubler for use as the internal SCSI clock. When reset, this bit selects the clock presented on SCLK for use as the internal SCSI clock.	
<b>R</b>	<b>Reserved</b>	<b>[1:0]</b>

The LSI53C876 SCSI clock doubler doubles a 40 MHz SCSI clock, increasing the frequency to 80 MHz. Follow these steps to use the clock doubler.

1. Set the SCLK Doubler Enable bit ([SCSI Test One \(STEST1\)](#), bit 3).
2. Wait 20  $\mu$ s.
3. Halt the SCSI clock by setting the Halt SCSI Clock bit ([SCSI Test Three \(STEST3\)](#), bit 5).
4. Set the clock conversion factor using the SCF and CCF fields in the [SCSI Control Three \(SCNTL3\)](#) register.
5. Set the SCLK Doubler Select bit ([SCSI Test One \(STEST1\)](#), bit 2).
6. Clear the Halt SCSI clock bit.

**Register: 0x4E**  
**SCSI Test Two (STEST2)**  
**Read/Write**

7	6	5	4	3	2	1	0
SCE	ROF	DIF	SLB	SZM	AWS	EXT	LOW
0	0	0	0	0	0	0	0

**SCE**                      **SCSI Control Enable**                      **7**

Setting this bit allows assertion of all SCSI control and data lines through the [SCSI Output Control Latch \(SOCL\)](#) and [SCSI Output Data Latch \(SODL\)](#) registers regardless of whether the LSI53C876 SCSI function is configured as a target or initiator.

Note: Do not set this bit during normal operation, since it could cause contention on the SCSI bus. It is included for diagnostic purposes only.

**ROF**                      **Reset SCSI Offset**                      **6**

Setting this bit clears any outstanding synchronous SREQ/SACK offset. Set this bit if a SCSI gross error condition occurs and to clear the offset when a synchronous transfer does not complete successfully. The bit automatically clears itself after resetting the synchronous offset.

**DIF**                      **Differential Mode**                      **5**

Setting this bit allows the LSI53C876 SCSI function to interface to external differential transceivers. Its only real effect is to 3-state the SBSY/, SSEL/, and SRST/ pads for use as pure inputs. Clearing this bit enables SE operation. Set this bit in the initialization routine if the differential pair interface is used.

**SLB**                      **SCSI Loopback Mode**                      **4**

Setting this bit allows the LSI53C876 SCSI function to perform SCSI loopback diagnostics. That is, it enables the SCSI core to simultaneously perform as both the initiator and the target.



<b>SZM</b>	<b>SCSI High Impedance Mode</b>	<b>3</b>
	Setting this bit places all the open drain 48 mA SCSI drivers into a high impedance state. This is to allow internal loopback mode operation without affecting the SCSI bus.	
<b>AWS</b>	<b>Always Wide SCSI</b>	<b>2</b>
	When this bit is set, all SCSI information transfers are done in 16-bit wide mode. This includes data, message, command, status, and reserved phases. Normally, deassert this bit since 16-bit wide message, command, and status phases are not supported by the SCSI specifications.	
<b>EXT</b>	<b>Extend SREQ/SACK Filtering</b>	<b>1</b>
	LSI Logic TolerANT SCSI receiver technology includes a special digital filter on the SREQ/ and SACK/ pins which causes the disregarding of glitches on deasserting edges. Setting this bit increases the filtering period from 30 ns to 60 ns on the deasserting edge of the SREQ/ and SACK/ signals.	
	<u>Note:</u> Never set this bit during fast SCSI (greater than 5 megatransfers per second) operations, because a valid assertion could be treated as a glitch.	
<b>LOW</b>	<b>SCSI Low level Mode</b>	<b>0</b>
	Setting this bit places the LSI53C876 SCSI function in low level mode. In this mode, no DMA operations occur, and no SCRIPTS execute. Arbitration and selection may be performed by setting the start sequence bit as described in the <a href="#">SCSI Control Zero (SCNTL0)</a> register. SCSI bus transfers are performed by manually asserting and polling SCSI signals. Clearing this bit allows instructions to be executed in SCSI SCRIPTS mode.	
	<u>Note:</u> It is not necessary to set this bit for access to the SCSI bit-level registers ( <a href="#">SCSI Output Data Latch (SODL)</a> , <a href="#">SCSI Bus Control Lines (SBCL)</a> , and input registers).	

**Register: 0x4F**  
**SCSI Test Three (STEST3)**  
**Read/Write**

7	6	5	4	3	2	1	0
TE	STR	HSC	DSI	DIFF	TTM	CSF	STW
0	0	0	0	x	0	0	0

**TE TolerANT Enable 7**

Setting this bit enables the active negation portion of LSI Logic TolerANT technology. Active negation causes the SCSI Request, Acknowledge, Data, and Parity signals to be actively deasserted, instead of relying on external pull-ups, when the LSI53C876 SCSI function is driving these signals. Active deassertion of these signals occurs only when the LSI53C876 SCSI function is in an information transfer phase. When operating in a differential environment or at fast SCSI timings, TolerANT Active negation should be enabled to improve setup and deassertion times. Active negation is disabled after reset or when this bit is cleared. For more information on LSI Logic TolerANT technology, see [Chapter 1, “General Description.”](#)

Note: Set this bit if the Enable Ultra SCSI bit in [SCSI Control Three \(SCNTL3\)](#) is set.

**STR SCSI FIFO Test Read 6**

Setting this bit places the SCSI core into a test mode in which the SCSI FIFO is easily read. Reading the least significant byte of the [SCSI Output Data Latch \(SODL\)](#) register causes the FIFO to unload. The functions are summarized in the table below.

Register Name	Register Operation	FIFO Bits	FIFO Function
SODL	Read	[15:0]	Unload
SODL0	Read	[7:0]	Unload
SODL1	Read	[15:8]	None

<b>HSC</b>	<b>Halt SCSI Clock</b>	<b>5</b>
	Asserting this bit causes the internal divided SCSI clock to come to a stop in a glitchless manner. This bit is used for test purposes or to lower I <sub>DD</sub> during a power-down mode.	
<b>DSI</b>	<b>Disable Single Initiator Response</b>	<b>4</b>
	If this bit is set, the LSI53C876 SCSI function ignores all bus-initiated selection attempts that employ the single initiator option from SCSI-1. In order to select the LSI53C876 SCSI function while this bit is set, the LSI53C876 SCSI function's SCSI ID and the initiator's SCSI ID must both be asserted. Assert this bit in SCSI-2 systems so that a single bit error on the SCSI bus is not interpreted as a single initiator response.	
<b>CHECKHI</b>	<b>Check High Parity</b>	<b>3</b>
	If this bit is set, all devices in the SCSI system implementation are assumed to be 16-bit. This causes the LSI53C876 to always check the parity bit for SCSI IDs [15:8] during bus-initiated selection or reselection, assuming parity checking has been enabled. If an 8-bit SCSI device attempts to select the LSI53C876 while this bit is set, the chip ignores the selection attempt. This is because the parity bit for IDs [15:8] is undriven. See the description of the Enable Parity Checking bit in the <a href="#">SCSI Control Zero (SCNTL0)</a> register for more information.	
<b>TTM</b>	<b>Timer Test Mode</b>	<b>2</b>
	Asserting this bit facilitates testing of the selection time-out, general purpose, and handshake-to-handshake timers by greatly reducing all three time-out periods. Setting this bit starts all three timers and if the respective bits in the <a href="#">SCSI Interrupt Enable One (SIEN1)</a> register are asserted, the LSI53C876 SCSI function generates interrupts at time-out. This bit is intended for internal manufacturing diagnosis and should not be used.	
<b>CSF</b>	<b>Clear SCSI FIFO</b>	<b>1</b>
	Setting this bit causes the "full flags" for the SCSI FIFO to be cleared. This empties the FIFO. This bit is self-clearing. In addition to the SCSI FIFO pointers, the <a href="#">SCSI Input Data Latch (SIDL)</a> , <a href="#">SCSI Output Data Latch (SODL)</a> , and SODR full bits in the <a href="#">SCSI Status Zero (SSTAT0)</a> and <a href="#">SCSI Status Two (SSTAT2)</a> are cleared.	

**STW****SCSI FIFO Test Write****0**

Setting this bit places the SCSI core into a test mode in which the FIFO is easily read or written. While this bit is set, writes to the least significant byte of the [SCSI Output Data Latch \(SODL\)](#) register cause the entire word contained in this register to be loaded into the FIFO. Writing the least significant byte of the SODL register causes the FIFO to load. These functions are summarized in the table below.

Register Name	Register Operation	FIFO Bits	FIFO Function
SODL	Write	[15:0]	Unload
SODL0	Write	[7:0]	Unload
SODL1	Write	[15:8]	None

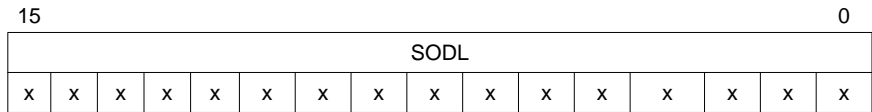
**Register: 0x50–0x51****SCSI Input Data Latch (SIDL)****Read Only**

15	SIDL														0
x	x	x	x	x	x	x	x	x	x	x	x	x	x	x	x

**SIDL****SCSI Input Data Latch****[15:0]**

This register is used primarily for diagnostic testing, programmed I/O operation, or error recovery. Data received from the SCSI bus can be read from this register. Data can be written to the [SCSI Output Data Latch \(SODL\)](#) register and then read back into the LSI53C876 by reading this register to allow loopback testing. When receiving SCSI data, the data flows into this register and out to the host FIFO. This register differs from the [SCSI Bus Data Lines \(SBDL\)](#) register; SIDL contains latched data and the SBDL always contains exactly what is currently on the SCSI data bus. Reading this register causes the SCSI parity bit to be checked, and causes a parity error interrupt if the data is not valid. The power-up values are indeterminate.

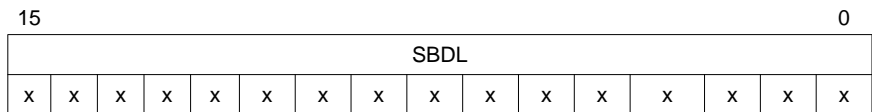
**Registers: 0x54–0x55**  
**SCSI Output Data Latch (SODL)**  
**Read/Write**



**SODL**                      **SCSI Output Data Latch**                      **[15:0]**

This register is used primarily for diagnostic testing or programmed I/O operation. Data written to this register is asserted onto the SCSI data bus by setting the Assert Data Bus bit in the [SCSI Control One \(SCNTL1\)](#) register. This register can send data using programmed I/O. Data flows through this register when sending data in any mode. It is also used to write to the synchronous data FIFO when testing the chip. The power-up value of this register is indeterminate.

**Registers: 0x58–0x59**  
**SCSI Bus Data Lines (SBDL)**  
**Read Only**



**SBDL**                      **SCSI Bus Data Lines**                      **[15:0]**

This register contains the SCSI data bus status. Even though the SCSI data bus is active low, these bits are active high. The signal status is not latched and is a true representation of exactly what is on the data bus at the time the register is read. This register is used when receiving data using programmed I/O. This register can also be used for diagnostic testing or in low level mode. The power-up value of this register is indeterminate.



# Chapter 5

## SCSI SCRIPTS

### Instruction Set

---

After power up and initialization, the LSI53C876 can be operated in the low level register interface mode or in the high level SCSI SCRIPTS mode.

Chapter 5 is divided into the following sections:

- [Section 5.1, “Low Level Register Interface Mode”](#)
  - [Section 5.2, “High Level SCSI SCRIPTS Mode”](#)
  - [Section 5.3, “Block Move Instruction”](#)
  - [Section 5.4, “I/O Instruction”](#)
  - [Section 5.5, “Read/Write Instructions”](#)
  - [Section 5.6, “Transfer Control Instructions”](#)
  - [Section 5.7, “Memory Move Instructions”](#)
  - [Section 5.8, “Load and Store Instructions”](#)
- 

## 5.1 Low Level Register Interface Mode

With the low level register interface mode, the user has access to the DMA control logic and the SCSI bus control logic. An external processor has access to the SCSI bus signals and the low level DMA signals, which allows creation of complicated board level test algorithms. The low level interface is useful for backward compatibility with SCSI devices that require certain unique timings or bus sequences to operate properly. Another feature allowed at the low level is loopback testing. In loopback mode, the SCSI core can be directed to talk to the DMA core to test internal data paths all the way out to the chip’s pins.

---

## 5.2 High Level SCSI SCRIPTS Mode

To operate in the SCSI SCRIPTS mode, the LSI53C876 requires only a SCRIPTS start address. The start address must be at a Dword (four byte) boundary. This aligns subsequent SCRIPTS at a Dword boundary since all SCRIPTS are 8 or 12 bytes long. Instructions are fetched until an interrupt instruction is encountered, or until an unexpected event (such as a hardware error) causes an interrupt to the external processor.

Once an interrupt is generated, the LSI53C876 halts all operations until the interrupt is serviced. Then, the start address of the next SCRIPTS instruction is written to the [DMA SCRIPTS Pointer \(DSP\)](#) register to restart the automatic fetching and execution of instructions.

The SCSI SCRIPTS mode of execution allows the LSI53C876 to make decisions based on the status of the SCSI bus, which offloads the microprocessor from servicing the numerous interrupts inherent in I/O operations.

Given the rich set of SCSI oriented features included in the instruction set, and the ability to re-enter the SCSI algorithm at any point, this high level interface is all that is required for both normal and exception conditions. Switching to low level mode for error recovery is not required.

The following types of SCRIPTS instructions are implemented in the LSI53C876 as shown in [Table 5.1](#):



**Table 5.1    SCRIPTS Instructions**

<b>Instruction</b>	<b>Description</b>
Block Move	Block Move instruction moves data between the SCSI bus and memory.
I/O or Read/Write	I/O or Read/Write instructions cause the LSI53C876 to trigger common SCSI hardware sequences, or to move registers.
Transfer Control	Transfer Control instruction allows SCRIPTS instructions to make decisions based on real time SCSI bus conditions.
Memory Move	Memory Move instruction causes the LSI53C876 to execute block moves between different parts of main memory.
Load and Store	Load and Store instructions provide a more efficient way to move data to/from memory from/to an internal register in the chip without using the Memory Move instruction.

Each instruction consists of two or three 32-bit words. The first 32-bit word is always loaded into the [DMA Command \(DCMD\)](#) and [DMA Byte Counter \(DBC\)](#) registers, the second into the [DMA SCRIPTS Pointer Save \(DSPS\)](#) register. The third word, used only by Memory Move instructions, is loaded into the [Temporary \(TEMP\)](#) shadow register. In an indirect I/O or Move instruction, the first two 32-bit opcode fetches are followed by one or two more 32-bit fetch cycles.

### 5.2.1 Sample Operation

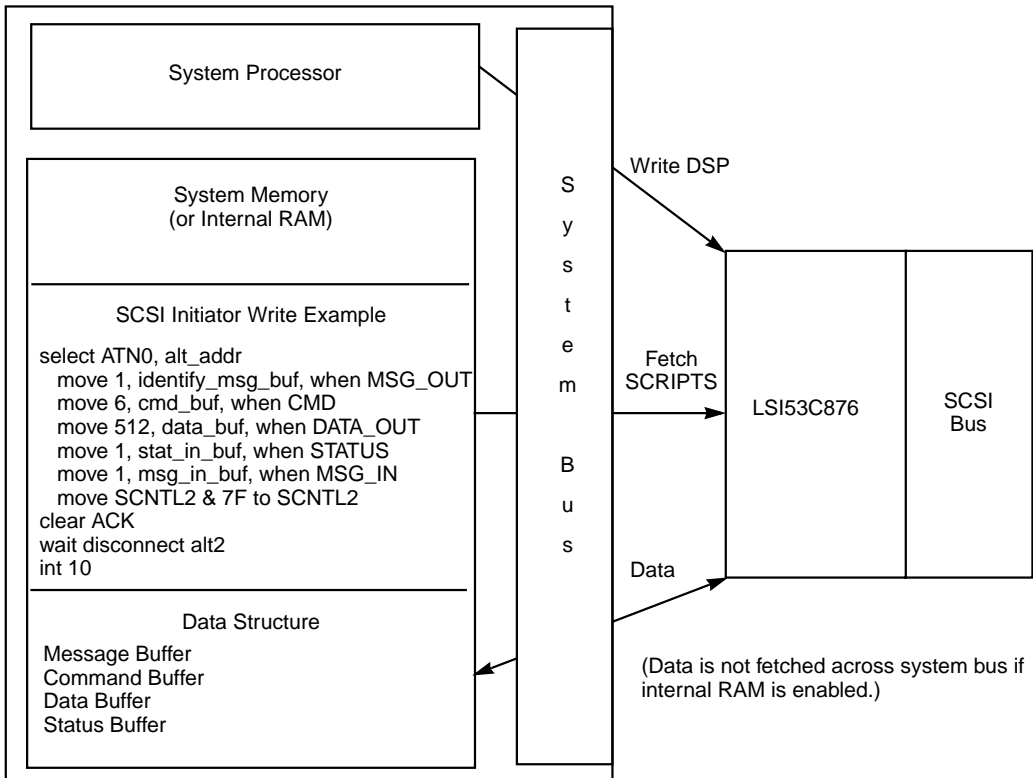
The following example describes execution of a SCRIPTS Block Move instruction.

- The host CPU, through programmed I/O, gives the [DMA SCRIPTS Pointer \(DSP\)](#) register (in the Operating Register file) the starting address in main memory that points to a SCSI SCRIPTS program for execution.
- Loading the [DMA SCRIPTS Pointer \(DSP\)](#) register causes the LSI53C876 to fetch its first instruction at the address just loaded. This fetch is from main memory or the internal RAM, depending on the address.

- The LSI53C876 typically fetches two Dwords (64 bits) and decodes the high order byte of the first Dword as a SCRIPTS instruction. If the instruction is a Block Move, the lower three bytes of the first Dword are stored and interpreted as the number of bytes to move. The second Dword is stored and interpreted as the 32-bit beginning address in main memory to which the move is directed.
- For a SCSI send operation, the LSI53C876 waits until there is enough space in the DMA FIFO to transfer a programmable size block of data. For a SCSI receive operation, it waits until enough data is collected in the DMA FIFO for transfer to memory. At this point, the LSI53C876 requests use of the PCI bus again to transfer the data.
- When the LSI53C876 is granted the PCI bus, it executes (as a bus master) a burst transfer (programmable size) of data, decrements the internally stored remaining byte count, increments the address pointer, and then releases the PCI bus. The LSI53C876 stays off the PCI bus until the FIFO can again hold (for a write) or has collected (for a read) enough data to repeat the process.

The process repeats until the internally stored byte count has reached zero. The LSI53C876 releases the PCI bus and then performs another SCRIPTS instruction fetch cycle, using the incremented stored address maintained in the [DMA SCRIPTS Pointer \(DSP\)](#) register. Execution of SCRIPTS instructions continues until an error condition occurs or an interrupt SCRIPTS instruction is received. At this point, the LSI53C876 interrupts the host CPU and waits for further servicing by the host system. It can execute independent Block Move instructions specifying new byte counts and starting locations in main memory. In this manner, the LSI53C876 performs scatter/gather operations on data without requiring help from the host program, generating a host interrupt, or programming of an external DMA controller. An overview of this process is presented in [Figure 5.1](#).

**Figure 5.1 SCRIPTS Overview**



---

## 5.3 Block Move Instruction

Performing a Block Move instruction, bit 5, Source I/O - Memory Enable (SIOM) and bit 4, Destination I/O - Memory Enable (DIOM) in the [DMA Mode \(DMODE\)](#) register determines whether the source/destination address resides in memory or I/O space. When data is moved onto the SCSI bus, SIOM controls whether that data comes from I/O or memory space. When data is moved off of the SCSI bus, DIOM controls whether that data goes to I/O or memory space.

### 5.3.1 First Dword

**IT[1:0]**                      **Instruction Type - Block Move**                      **[31:30]**

**IA**                              **Indirect Addressing**    **29**

When this bit is cleared, user data is moved to or from the 32-bit data start address for the Block Move instruction. The value is loaded into the chip's address register and incremented as data is transferred. The address of the data to move is in the second Dword of this instruction.

When set, the 32-bit user data start address for the Block Move is the address of a pointer to the actual data buffer address. The value at the 32-bit start address is loaded into the chip's [DMA Next Address \(DNAD\)](#) register using a third Dword fetch (4-byte transfer across the host computer bus).

#### Direct Addressing

The byte count and absolute address are:

Command	Byte Count
Address of Data	

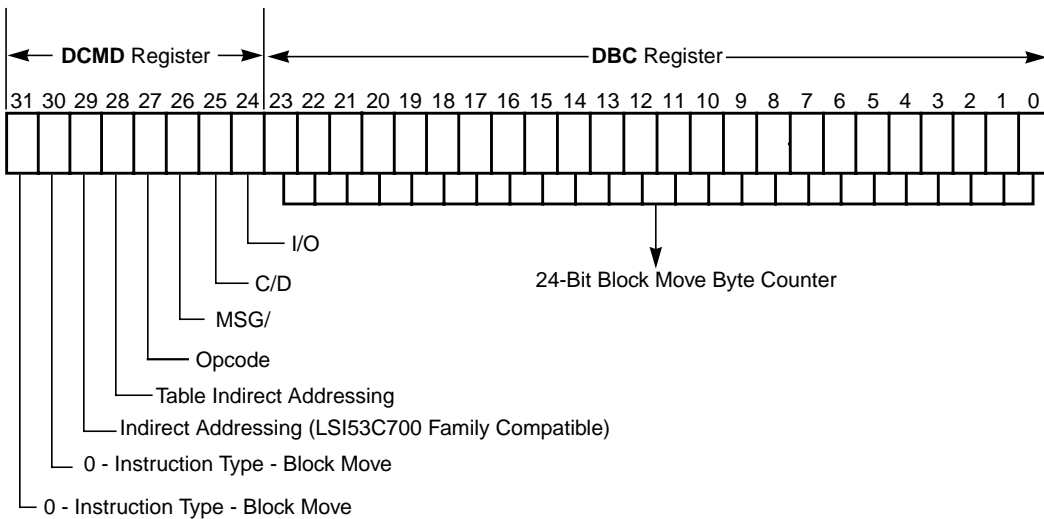
#### Indirect Addressing

Use the fetched byte count, but fetch the data address from the address in the instruction.

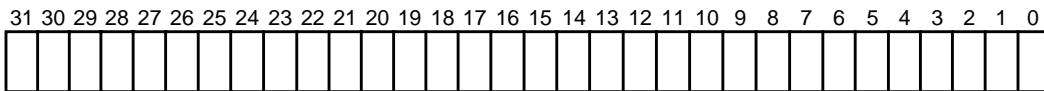
Command	Byte Count
Address of Pointer to Data	



**Figure 5.2 Block Move Instruction Register**



**DSPS Register**



Prior to the start of an I/O, load the [Data Structure Address \(DSA\)](#) with the base address of the I/O data structure. Any address on a long word boundary is allowed.

After a Table Indirect opcode is fetched, the DSA is added to the 24-bit signed offset value from the opcode to generate the address of the required data; both positive and negative offsets are allowed. A subsequent fetch from that address brings the data values into the chip.

For a MOVE instruction, the 24-bit byte count is fetched from system memory. Then the 32-bit physical address is brought into the LSI53C876. Execution of the move begins at this point.

SCRIPTS can directly execute operating system I/O data structures, saving time at the beginning of an I/O operation. The I/O data structure can begin on any Dword boundary and may cross system segment boundaries.

There are two restrictions on the placement of pointer data in system memory:

- The eight bytes of data in the MOVE instruction must be contiguous, as shown below, and
- Indirect data fetches are not available during execution of a Memory-to-Memory DMA operation.

00	Byte Count
Physical Data Address	

## OPC

### OpCode

**27**

This 1-bit field defines the instruction to execute as a block move (MOVE).

### Target Mode

In Target mode, the Opcode bit defines the following operations:

OPC	Instruction Defined
0	MOVE
1	CHMOV

These instructions perform the following steps:

1. The LSI53C876 verifies that it is connected to the SCSI bus as a Target before executing this instruction.
2. The LSI53C876 asserts the SCSI phase signals (MSG/, SC\_D/, and SI\_O/) as defined by the Phase Field bits in the instruction.
3. If the instruction is for the command phase, the LSI53C876 receives the first command byte and decodes its SCSI Group Code.

- If the SCSI Group Code is either Group 0, Group 1, Group 2, or Group 5, then the LSI53C876 overwrites the [DMA Byte Counter \(DBC\)](#) register with the length of the Command Descriptor Block: 6, 10, or 12 bytes.
  - If the Vendor Unique Enhancement 0 (VUE0) bit ([SCSI Control Two \(SCNTL2\)](#), bit 1) is set and the SCSI group code is a vendor unique code, the LSI53C876 overwrites the [DMA Byte Counter \(DBC\)](#) register with the length of the Command Descriptor Block: 6, 10, or 12 bytes. If the VUE0 bit is set, the LSI53C876 receives the number of bytes in the byte count regardless of the group code.
  - If any other Group Code is received, the [DMA Byte Counter \(DBC\)](#) register is not modified and the LSI53C876 requests the number of bytes specified in the [DMA Byte Counter \(DBC\)](#) register. If the DBC register contains 0x000000, an illegal instruction interrupt is generated.
4. The LSI53C876 transfers the number of bytes specified in the [DMA Byte Counter \(DBC\)](#) register starting at the address specified in the [DMA Next Address \(DNAD\)](#) register. If the Opcode bit is set and a data transfer ends on an odd byte boundary, the LSI53C876 stores the last byte in the [SCSI Wide Residue \(SWIDE\)](#) register during a receive operation. This byte is combined with the first byte from the subsequent transfer so that a wide transfer can be completed.
  5. If the SATN/ signal is asserted by the Initiator or a parity error occurred during the transfer, the transfer can optionally be halted and an interrupt generated. The Disable Halt on Parity Error or ATN bit in the [SCSI Control One \(SCNTL1\)](#) register controls whether the LSI53C825A halts on these conditions immediately, or waits until completion of the current Move.



## Initiator Mode

In Target mode, the OpCode bit defines the following operations:

OPC	Instruction Defined
0	CHMOV
1	MOVE

These instructions perform the following steps:

1. The LSI53C876 verifies that it is connected to the SCSI bus as an Initiator before executing this instruction.
2. The LSI53C876 waits for an unserviced phase to occur. An unserviced phase is any phase (with SREQ/ asserted) for which the LSI53C876 has not yet transferred data by responding with a SACK/.
3. The LSI53C876 compares the SCSI phase bits in the [DMA Command \(DCMD\)](#) register with the latched SCSI phase lines stored in the [SCSI Status One \(SSTAT1\)](#) register. These phase lines are latched when SREQ/ is asserted.
4. If the SCSI phase bits match the value stored in the SCSI [SCSI Status One \(SSTAT1\)](#) register, the LSI53C876 transfers the number of bytes specified in the [DMA Byte Counter \(DBC\)](#) register starting at the address pointed to by the [DMA Next Address \(DNAD\)](#) register. If the OpCode bit is cleared and a data transfer ends on an odd byte boundary, the LSI53C876 stores the last byte in the [SCSI Wide Residue \(SWIDE\)](#) register during a receive operation, or in the [SCSI Output Control Latch \(SOCL\)](#) register during a send operation. This byte is combined with the first byte from the subsequent transfer so that a wide transfer can complete.

5. If the SCSI phase bits do not match the value stored in the [SCSI Status One \(SSTAT1\)](#) register, the LSI53C876 generates a phase mismatch interrupt and the instruction is not executed.
6. During a Message-Out phase, after the LSI53C876 has performed a select with Attention (or SATN/ is manually asserted with a Set ATN instruction), the LSI53C876 deasserts SATN/ during the final SREQ/SACK/ handshake.
7. When the LSI53C876 is performing a block move for Message-In phase, it does not deassert the SACK/ signal for the last SREQ/SACK/ handshake. Clear the SACK/ signal using the Clear SACK I/O instruction.

**SCSIP[2:0]      SCSI Phase      [26:24]**

This 3-bit field defines the desired SCSI information transfer phase. When the LSI53C876 operates in Initiator mode, these bits are compared with the latched SCSI phase bits in the [SCSI Status One \(SSTAT1\)](#) register. When the LSI53C876 operates in Target mode, it asserts the phase defined in this field. The following table describes the possible combinations and the corresponding SCSI phase.

MSG	C_D	I_O	SCSI Phase
0	0	0	Data-Out
0	0	1	Data-In
0	1	0	Command
0	1	1	Status
1	0	0	Reserved-Out
1	0	1	Reserved-In
1	1	0	Message-Out
1	1	1	Message-In

**TC      Transfer Counter      [23:0]**

This 24-bit field specifies the number of data bytes to move between the LSI53C876 and system memory. The field is stored in the [DMA Byte Counter \(DBC\)](#) register. When the LSI53C876 transfers data to/from memory, the DBC register is decremented by the number of bytes

transferred. In addition, the [DMA Next Address \(DNAD\)](#) register is incremented by the number of bytes transferred. This process is repeated until the [DMA Byte Counter \(DBC\)](#) register is decremented to zero. At this time, the LSI53C876 fetches the next instruction.

If bit 28 is set, indicating table indirect addressing, this field is not used. The byte count is instead fetched from a table pointed to by the [Data Structure Address \(DSA\)](#) register.

### 5.3.2 Second Dword

**Start Address** **[31:0]**

This 32-bit field specifies the starting address of the data to move to/from memory. This field is copied to the [DMA Next Address \(DNAD\)](#) register. When the LSI53C876 transfers data to or from memory, the DNAD register is incremented by the number of bytes transferred.

When bit 29 is set, indicating indirect addressing, this address is a pointer to an address in memory that points to the data location. When bit 28 is set, indicating table indirect addressing, the value in this field is an offset into a table pointed to by the [Data Structure Address \(DSA\)](#). The table entry contains byte count and address information.

## 5.4 I/O Instruction

### 5.4.1 First Dword

**IT[1:0]**                      **Instruction Type - I/O Instruction**                      **[31:30]**

**OPC[2:0]**                      **OpCode**                      **[29:27]**

The following OpCode bits have different meanings, depending on whether the LSI53C876 is operating in initiator or target mode. OpCode selections 101–111 are considered Read/Write instructions, and are described in [Section 5.5, “Read/Write Instructions.”](#)

## Target Mode

OPC2	OPC1	OPC0	Instruction Defined
0	0	0	Reselect
0	0	1	Disconnect
0	1	0	Wait Select
0	1	1	Set
1	0	0	Clear

### Reselect Instruction

The LSI53C876 arbitrates for the SCSI bus by asserting the SCSI ID stored in the [SCSI Chip ID \(SCID\)](#) register. If it loses arbitration, it tries again during the next available arbitration cycle without reporting any lost arbitration status.

If the LSI53C876 wins arbitration, it attempts to reselect the SCSI device whose ID is defined in the destination ID field of the instruction. Once the LSI53C876 wins arbitration, it fetches the next instruction from the address pointed to by the [DMA SCRIPTS Pointer \(DSP\)](#) register. This way the SCRIPTS can move on to the next instruction before the reselection completes. It continues executing SCRIPTS until a SCRIPT that requires a response from the Initiator is encountered.

If the LSI53C876 is selected or reselected before winning arbitration, it fetches the next instruction from the address pointed to by the 32-bit jump address field stored in the [DMA Next Address \(DNAD\)](#) register. Manually set the LSI53C876 to Initiator mode if it is reselected, or to Target mode if it is selected.

### Disconnect Instruction

The LSI53C876 disconnects from the SCSI bus by deasserting all SCSI signal outputs.

### Wait Select Instruction

If the LSI53C876 is selected, it fetches the next instruction from the address pointed to by the [DMA SCRIPTS Pointer \(DSP\)](#) register.

If reselected, the LSI53C876 fetches the next instruction from the address pointed to by the 32-bit jump address field stored in the [DMA Next Address \(DNAD\)](#) register. Manually set the LSI53C876 to Initiator mode when it is reselected.

If the CPU sets the SIGP bit in the [SCSI Status Zero \(SSTAT0\)](#) register, the LSI53C876 aborts the Wait Select instruction and fetches the next instruction from the address pointed to by the 32-bit jump address field stored in the [DMA Next Address \(DNAD\)](#) register.

### **Set Instruction**

When the SACK/ or SATN/ bits are set, the corresponding bits in the [SCSI Output Control Latch \(SOCL\)](#) register are set. Do not set SACK/ or SATN/ except for testing purposes. When the target bit is set, the corresponding bit in the [SCSI Control Zero \(SCNTL0\)](#) register is also set. When the carry bit is set, the corresponding bit in the Arithmetic Logic Unit (ALU) is set.

Note: None of the signals are set on the SCSI bus in the Target mode.

### **Clear Instruction**

When the SACK/ or SATN/ bits are cleared, the corresponding bits are cleared in the [SCSI Output Control Latch \(SOCL\)](#) register. Do not set SACK/ or SATN/ except for testing purposes. When the target bit is cleared, the corresponding bit in the [SCSI Control Zero \(SCNTL0\)](#) register is cleared. When the carry bit is cleared, the corresponding bit in the ALU is cleared.

Note: None of the signals are cleared on the SCSI bus in the Target mode.



## Initiator Mode

OPC2	OPC1	OPC0	Instruction Defined
0	0	0	Select
0	0	1	Wait Disconnect
0	1	0	Wait Reselect
0	1	1	Set
1	0	0	Clear

### Select Instruction

The LSI53C876 arbitrates for the SCSI bus by asserting the SCSI ID stored in the [SCSI Chip ID \(SCID\)](#) register. If it loses arbitration, it tries again during the next available arbitration cycle without reporting any lost arbitration status.

If the LSI53C876 wins arbitration, it attempts to select the SCSI device whose ID is defined in the destination ID field of the instruction. Once the LSI53C876 wins arbitration, it fetches the next instruction from the address pointed to by the [DMA SCRIPTS Pointer \(DSP\)](#) register. This way the SCRIPTS can move to the next instruction before the selection completes. It continues executing SCRIPTS until a SCRIPT that requires a response from the Target is encountered.

If the LSI53C876 is selected or reselected before winning arbitration, it fetches the next instruction from the address pointed to by the 32-bit jump address field stored in the [DMA Next Address \(DNAD\)](#) register. Manually set the LSI53C876 to Initiator mode if it is reselected, or to Target mode if it is selected.

If the Select with SATN/ field is set, the SATN/ signal is asserted during the selection phase.

### Wait Disconnect Instruction

The LSI53C876 waits for the Target to perform a “legal” disconnect from the SCSI bus. A “legal” disconnect occurs when SBSY/ and SSEL/ are inactive for a minimum of one Bus Free delay (400 ns), after the LSI53C876 receives a Disconnect Message or a Command Complete Message.

### Wait Reselect Instruction

If the LSI53C876 is selected before being reselected, it fetches the next instruction from the address pointed to by the 32-bit jump address field stored in the [DMA Next Address \(DNAD\)](#) register. Manually set the LSI53C876 to Target mode when it is selected.

If the LSI53C876 is reselected, it fetches the next instruction from the address pointed to by the [DMA SCRIPTS Pointer \(DSP\)](#) register.

If the CPU sets the SIGP bit in the [Interrupt Status \(ISTAT\)](#) register, the LSI53C876 aborts the Wait Reselect instruction and fetches the next instruction from the address pointed to by the 32-bit jump address field stored in the [DMA Next Address \(DNAD\)](#) register.

### Set Instruction

When the SACK/ or SATN/ bits are cleared, the corresponding bits in the [SCSI Output Control Latch \(SOCL\)](#) register are set. When the target bit is set, the corresponding bit in the [SCSI Control Zero \(SCNTL0\)](#) register is also set. When the carry bit is set, the corresponding bit in the ALU is set.

### Clear Instruction

When the SACK/ or SATN/ bits are cleared, the corresponding bits are cleared in the [SCSI Output Control Latch \(SOCL\)](#) register. When the target bit is cleared, the corresponding bit in the [SCSI Control Zero \(SCNTL0\)](#) register is cleared. When the carry bit is cleared, the corresponding bit in the ALU is cleared.

<b>RA</b>	<b>Relative Addressing Mode</b>	<b>26</b>
	When this bit is set, the 24-bit signed value in the <a href="#">DMA Next Address (DNAD)</a> register is used as a relative displacement from the current <a href="#">DMA SCRIPTS Pointer (DSP)</a> address. Use this bit only in conjunction with the Select, Reselect, Wait Select, and Wait Reselect instructions. The Select and Reselect instructions can contain an absolute alternate jump address or a relative transfer address.	
<b>TI</b>	<b>Table Indirect Mode</b>	<b>25</b>
	When this bit is set, the 24-bit signed value in the <a href="#">DMA Byte Counter (DBC)</a> register is added to the value in the	



**Data Structure Address (DSA)** register, and used as an offset relative to the value in the DSA register. The **SCSI Control Three (SCNTL3)** value, SCSI ID, synchronous offset and synchronous period are loaded from this address. Prior to the start of an I/O, load the **Data Structure Address (DSA)** with the base address of the I/O data structure. Any address on a Dword boundary is allowed. After a Table Indirect opcode is fetched, the **Data Structure Address (DSA)** is added to the 24-bit signed offset value from the opcode to generate the address of the required data. Both positive and negative offsets are allowed. A subsequent fetch from that address brings the data values into the chip.

SCRIPTS can directly execute operating system I/O data structures, saving time at the beginning of an I/O operation. The I/O data structure can begin on any Dword boundary and may cross system segment boundaries. There are two restrictions on the placement of data in system memory:

- The I/O data structure must lie within the 8 Mbytes above or below the base address.
- An I/O command structure must have all four bytes contiguous in system memory, as shown below. The offset/period bits are ordered as in the **SCSI Transfer (SXFER)** register. The configuration bits are ordered as in the **SCSI Control Three (SCNTL3)** register.

Config	ID	Offset/period	00
--------	----	---------------	----

Use this bit only in conjunction with the Select, Reselect, Wait Select, and Wait Reselect instructions. Use bits 25 and 26 individually or in combination to produce the following conditions:

Bit 25	Bit 26	Addressing Mode
0	0	Direct
0	1	Table Indirect
1	0	Relative
1	1	Table Relative

**Direct**

Uses the device ID and physical address in the instruction.

Command	ID	Not Used	Not Used
Absolute Alternate Address			

**Table Indirect**

Uses the physical jump address, but fetches data using the table indirect method.

Command	Table Offset		
Absolute Alternate Address			

**Relative**

Uses the device ID in the instruction, but treats the alternate address as a relative jump.

Command	ID	Not Used	Not Used
Absolute Jump Offset			

**Table Relative**

Treats the alternate jump address as a relative jump and fetches the device ID, synchronous offset, and synchronous period indirectly. Adds the value in bits [23:0] of the first four bytes of the SCRIPTS instruction to the data structure base address to form the fetch address.

Command	Table Offset		
Alternate Jump Offset			

**Sel****Select with ATN/****24**

This bit specifies whether SATN/ is asserted during the selection phase when the LSI53C876 is executing a Select instruction. When operating in Initiator mode, set this bit for the Select instruction. If this bit is set on any other I/O instruction, an illegal instruction interrupt is generated.

<b>R</b>	<b>Reserved</b>	<b>[23:20]</b>
<b>ENDID[3:0]</b>	<b>Encoded SCSI Destination ID</b> This 4-bit field specifies the destination SCSI ID for an I/O instruction.	<b>[19:16]</b>
<b>R</b>	<b>Reserved</b>	<b>[15:11]</b>
<b>CC</b>	<b>Set/Clear Carry</b> This bit is used in conjunction with a Set or Clear instruction to set or clear the Carry bit. Setting this bit with a Set instruction asserts the Carry bit in the ALU. Setting this bit with a Clear instruction deasserts the Carry bit in the ALU.	<b>10</b>
<b>TM</b>	<b>Set/Clear Target Mode</b> This bit is used in conjunction with a Set or Clear instruction to set or clear Target mode. Setting this bit with a Set instruction configures the LSI53C876 as a Target device (this sets bit 0 of the <a href="#">SCSI Control Zero (SCNTL0)</a> register). Clearing this bit with a Clear instruction configures the LSI53C876 as an Initiator device (this clears bit 0 of the SCNTL0 register).	<b>9</b>
<b>R</b>	<b>Reserved</b>	<b>[8:7]</b>
<b>ACK</b>	<b>Set/Clear SACK/</b>	<b>6</b>
<b>R</b>	<b>Reserved</b>	<b>[5:4]</b>
<b>ATN</b>	<b>Set/Clear SATN/</b> These two bits are used in conjunction with a Set or Clear instruction to assert or deassert the corresponding SCSI control signal. Bit 6 controls the SCSI SACK/ signal. Bit 3 controls the SCSI SATN/ signal.  Setting either of these bits sets or resets the corresponding bit in the <a href="#">SCSI Output Control Latch (SOCL)</a> register, depending on the instruction used. The Set instruction is used to assert SACK/ and/or SATN/ on the SCSI bus. The Clear instruction is used to deassert SACK/ and/or SATN/ on the SCSI bus.  Since SACK/ and SATN/ are Initiator signals, they are not asserted on the SCSI bus unless the LSI53C876 is operating as an Initiator or the SCSI Loopback Enable bit is set in the <a href="#">SCSI Test Two (STEST2)</a> register.	<b>3</b>

The Set/Clear SCSI ACK/ATN instruction is used after message phase Block Move operations to give the Initiator the opportunity to assert attention before acknowledging the last message byte. For example, if the Initiator wishes to reject a message, it issues an Assert SCSI ATN instruction before a Clear SCSI ACK instruction.

**R**                      **Reserved**    **[2:0]**

## 5.4.2 Second Dword

**SA**                      **Start Address**    **[31:0]**

This 32-bit field contains the memory address to fetch the next instruction if the selection or reselection fails.

If relative or table relative addressing is used, this value is a 24-bit signed offset relative to the current [DMA SCRIPTS Pointer \(DSP\)](#) register value.

---

## 5.5 Read/Write Instructions

The Read/Write instruction supports addition, subtraction, and comparison of two separate values within the chip. It performs the desired operation on the specified register and the [SCSI First Byte Received \(SFBR\)](#) register, then stores the result back to the specified register or the SFBR. If the COM bit ([DMA Control \(DCNTL\)](#), bit 0) is cleared, Read/Write instruction cannot be used.

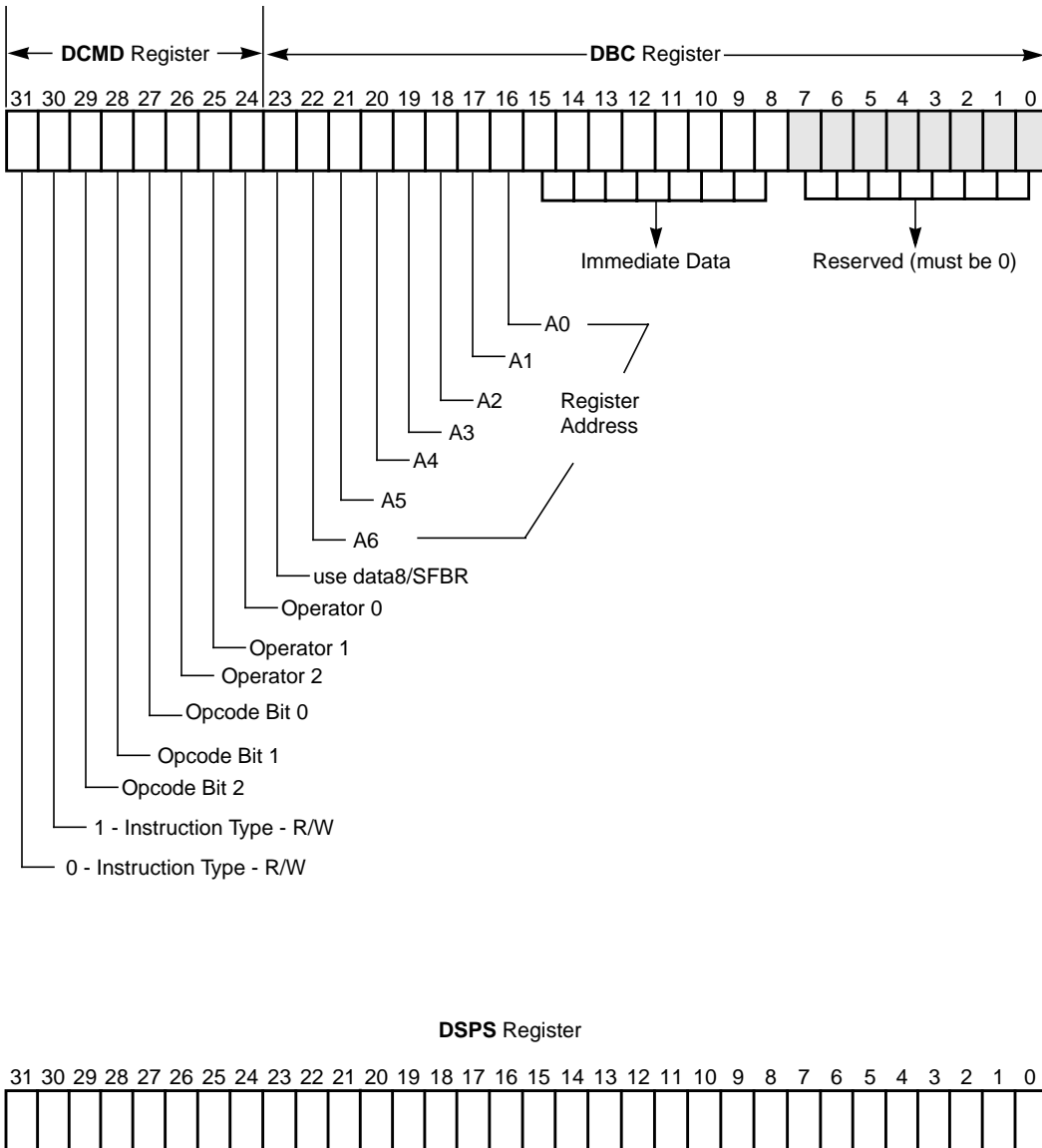
### 5.5.1 First Dword

**Instruction Type - Read/Write Instruction**                      **[31:30]**

The Read/Write instruction uses operator bits 26 through 24 in conjunction with the opcode bits to determine which instruction is currently selected.

[Figure 5.4](#) illustrates the Read/Write Instruction register.

**Figure 5.4 Read/Write Instruction Register**



<b>OPC[2:0]</b>	<b>OpCode</b>	<b>[29:27]</b>
	The combinations of these bits determine if the instruction is a Read/Write or an I/O instruction. Opcodes 0b000 through 0b100 are considered I/O instructions.	
<b>O[2:0]</b>	<b>Operator</b>	<b>[26:24]</b>
	These bits are used in conjunction with the opcode bits to determine which instruction is currently selected. Refer to <a href="#">Table 5.2</a> for field definitions.	
<b>D8</b>	<b>Use data 8/SFBR</b>	<b>23</b>
	When this bit is set, SFBR is used instead of the data8 value during a Read-Modify-Write instruction (see <a href="#">Table 5.2</a> ). This allows the user to add two register values.	
<b>A[6:0]</b>	<b>Register Address - A[6:0]</b>	<b>[22:16]</b>
	It is possible to change register values from SCRIPTS in read-modify-write cycles or move to/from SFBR cycles. A[6:0] selects an 8-bit source/destination register within the LSI53C876.	
<b>ImmD</b>	<b>Immediate Data</b>	<b>[15:8]</b>
	This 8-bit value is used as a second operand in logical and arithmetic functions.	
<b>R</b>	<b>Reserved</b>	<b>[7:0]</b>

## 5.5.2 Second Dword

<b>Destination Address</b>	<b>[31:0]</b>
This field contains the 32-bit destination address where the data is to move.	

## 5.5.3 Read-Modify-Write Cycles

During these cycles the register is read, the selected operation is performed, and the result is written back to the source register.

The Add operation is used to increment or decrement register values (or memory values if used in conjunction with a Memory-to-Register Move operation) for use as loop counters.

Subtraction is not available when [SCSI First Byte Received \(SFBR\)](#) is used instead of data8 in the instruction syntax. To subtract one value from another when using SFBR, first XOR the value to subtract (subtrahend) with 0xFF, and add 1 to the resulting value. This creates the 2's complement of the subtrahend. The two values are then added to obtain the difference.

## 5.5.4 Move To/From SFBR Cycles

All operations are read-modify-writes. However, two registers are involved, one of which is always the [SCSI First Byte Received \(SFBR\)](#). Table 5.2 shows the possible functions of this instruction.

- Write one byte (value contained within the SCRIPTS instruction) into any chip register.
- Move to/from the [SCSI First Byte Received \(SFBR\)](#) from/to any other register.
- Alter the value of a register with AND, OR, ADD, XOR, SHIFT LEFT, or SHIFT RIGHT operators.
- After moving values to the [SCSI First Byte Received \(SFBR\)](#), the compare and jump, call, or similar instructions are used to check the value.
- A Move-to-SFBR followed by a Move-from-SFBR is used to perform a register to register move.

**Table 5.2 Read/Write Instructions**

Operator	Opcode 111 Read-Modify-Write	Opcode 110 Move to SFBR	Opcode 101 Move from SFBR
000	Move data into register. Syntax: "Move data8 to RegA"	Move data into <a href="#">SCSI First Byte Received (SFBR)</a> register. Syntax: "Move data8 to SFBR"	Move data into register. Syntax: "Move data8 to RegA"
001 <sup>1</sup>	Shift register one bit to the left and place the result in the same register. Syntax: "Move RegA SHL RegA"	Shift register one bit to the left and place the result in the <a href="#">SCSI First Byte Received (SFBR)</a> register. Syntax: "Move RegA SHL SFBR"	Shift the <a href="#">SCSI First Byte Received (SFBR)</a> register one bit to the left and place the result in the register. Syntax: "Move SFBR SHL RegA"

**Table 5.2 Read/Write Instructions (Cont.)**

<b>Operator</b>	<b>Opcode 111 Read-Modify-Write</b>	<b>Opcode 110 Move to SFBR</b>	<b>Opcode 101 Move from SFBR</b>
010	OR data with register and place the result in the same register. Syntax: "Move RegA   data8 to RegA"	OR data with register and place the result in the <b>SCSI First Byte Received (SFBR)</b> register. Syntax: "Move RegA   data8 to SFBR"	OR data with SFBR and place the result in the register. Syntax: "Move SFBR   data8 to RegA"
011	XOR data with register and place the result in the same register. Syntax: "Move RegA XOR data8 to RegA"	XOR data with register and place the result in the <b>SCSI First Byte Received (SFBR)</b> register. Syntax: "Move RegA XOR data8 to SFBR"	XOR data with SFBR and place the result in the register. Syntax: "Move SFBR XOR data8 to RegA"
100	AND data with register and place the result in the same register. Syntax: "Move RegA & data8 to RegA"	AND data with register and place the result in the <b>SCSI First Byte Received (SFBR)</b> register. Syntax: "Move RegA & data8 to SFBR"	AND data with SFBR and place the result in the register. Syntax: "Move SFBR & data8 to RegA"
101 <sup>1</sup>	Shift register one bit to the right and place the result in the same register. Syntax: "Move RegA SHR RegA"	Shift register one bit to the right and place the result in the <b>SCSI First Byte Received (SFBR)</b> register. Syntax: "Move RegA SHR SFBR"	Shift the <b>SCSI First Byte Received (SFBR)</b> register one bit to the right and place the result in the register. Syntax: "Move SFBR SHR RegA"
110	Add data to register without carry and place the result in the same register. Syntax: "Move RegA + data8 to RegA"	Add data to register without carry and place the result in the <b>SCSI First Byte Received (SFBR)</b> register. Syntax: "Move RegA + data8 to SFBR"	Add data to SFBR without carry and place the result in the register. Syntax: "Move SFBR + data8 to RegA"
111	Add data to register with carry and place the result in the same register. Syntax: "Move RegA + data8 to RegA with carry"	Add data to register with carry and place the result in the <b>SCSI First Byte Received (SFBR)</b> register. Syntax: "Move RegA + data8 to SFBR with carry"	Add data to SFBR with carry and place the result in the register. Syntax: "Move SFBR + data8 to RegA with carry"

1. Data is shifted through the Carry bit and the Carry bit is shifted into the data byte.

Miscellaneous Notes:

- ~ Substitute the desired register name or address for "RegA" in the syntax examples.
- ~ data8 indicates eight bits of data.
- ~ Use **SCSI First Byte Received (SFBR)** instead of data8 to add two register values.



---

## 5.6 Transfer Control Instructions

### 5.6.1 First Dword

**IT[1:0]**      **Instruction Type - Transfer Control Instruction**      **[31:30]**

**OPC[2:0]**      **OpCode**      **[29:27]**

This 3-bit field specifies the type of Transfer Control Instruction to execute. All Transfer Control Instructions can be conditional. They can be dependent on a true/false comparison of the ALU Carry bit or a comparison of the SCSI information transfer phase with the Phase field, and/or a comparison of the First Byte Received with the Data Compare field. Each instruction can operate in Initiator or Target mode.

OPC2	OPC1	OPC0	Instruction Defined
0	0	0	Jump
0	0	1	Call
0	1	0	Return
0	1	1	Interrupt
1	x	x	Reserved

#### Jump Instruction

The LSI53C876 can do a true/false comparison of the ALU carry bit, or compare the phase and/or data as defined by the Phase Compare, Data Compare and True/False bit fields.

If the comparisons are true, then it loads the [DMA SCRIPTS Pointer \(DSP\)](#) register with the contents of the [DMA SCRIPTS Pointer Save \(DSPS\)](#) register. The DSP register now contains the address of the next instruction.

If the comparisons are false, the LSI53C876 fetches the next instruction from the address pointed to by the [DMA SCRIPTS Pointer \(DSP\)](#) register, leaving the instruction pointer unchanged.

### **Call Instruction**

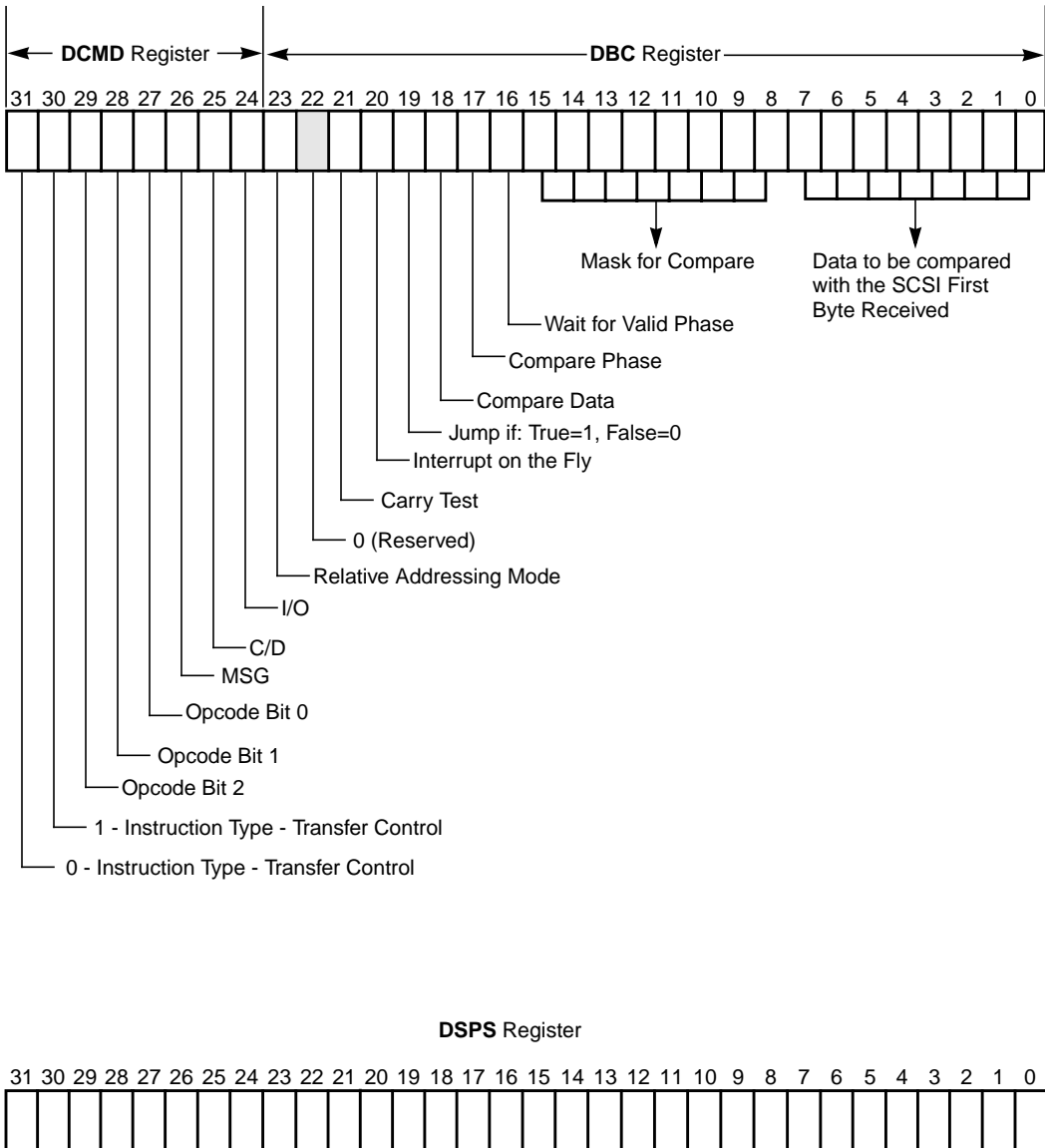
The LSI53C876 can do a true/false comparison of the ALU carry bit, or compare the phase and/or data as defined by the Phase Compare, Data Compare, and True/False bit fields.

If the comparisons are true, it loads the [DMA SCRIPTS Pointer \(DSP\)](#) register with the contents of the [DMA SCRIPTS Pointer Save \(DSPS\)](#) register and that address value becomes the address of the next instruction.

When the LSI53C876 executes a Call instruction, the instruction pointer contained in the [DMA SCRIPTS Pointer \(DSP\)](#) register is stored in the [Temporary \(TEMP\)](#) register. Since the TEMP register is not a stack and can only hold one Dword, nested call instructions are not allowed.

If the comparisons are false, the LSI53C876 fetches the next instruction from the address pointed to by the [DMA SCRIPTS Pointer \(DSP\)](#) register and the instruction pointer is not modified.

**Figure 5.5 Transfer Control Instruction**



### **Return Instruction**

The LSI53C876 can do a true/false comparison of the ALU carry bit, or compare the phase and/or data as defined by the Phase Compare, Data Compare, and True/False bit fields.

If the comparisons are true, it loads the [DMA SCRIPTS Pointer \(DSP\)](#) register with the contents of the [DMA SCRIPTS Pointer Save \(DSPS\)](#) register. That address value becomes the address of the next instruction.

When a Return instruction is executed, the value stored in the [Temporary \(TEMP\)](#) register is returned to the [DMA SCRIPTS Pointer \(DSP\)](#) register. The LSI53C876 does not check to see whether the Call instruction has already been executed. It does not generate an interrupt if a Return instruction is executed without previously executing a Call instruction.

If the comparisons are false, the LSI53C876 fetches the next instruction from the address pointed to by the [DMA SCRIPTS Pointer \(DSP\)](#) register and the instruction pointer is not modified.

### **Interrupt Instructions**

The LSI53C876 can do a true/false comparison of the ALU carry bit, or compare the phase and/or data as defined by the Phase Compare, Data Compare, and True/False bit fields.

If the comparisons are true, the LSI53C876 generates an interrupt by asserting the IRQ/ signal.

The 32-bit address field stored in the [DMA SCRIPTS Pointer Save \(DSPS\)](#) register can contain a unique interrupt service vector. When servicing the interrupt, this unique status code allows the Interrupt Service Routine to quickly identify the point at which the interrupt occurred.

The LSI53C876 halts and the [DMA SCRIPTS Pointer \(DSP\)](#) register must be written to start any further operation.

### **Interrupt-on-the-Fly Instruction**

The LSI53C876 can do a true/false comparison of the ALU carry bit or compare the phase and/or data as defined by the Phase Compare, Data Compare, and

True/False bit fields. If the comparisons are true, and the Interrupt-on-the-Fly bit ([Interrupt Status \(ISTAT\)](#), bit 2) is set, the LSI53C876 asserts the Interrupt-on-the-Fly bit.

**SCSIP[2:0]      SCSI Phase      [26:24]**

This 3-bit field corresponds to the three SCSI bus phase signals which are compared with the phase lines latched when SREQ/ is asserted. Comparisons can be performed to determine the SCSI phase actually being driven on the SCSI bus. The following table describes the possible combinations and their corresponding SCSI phase. These bits are only valid when the LSI53C876 is operating in Initiator mode. Clear these bits when the LSI53C876 is operating in the Target mode.

MSG	C/D	I/O	SCSI Phase
0	0	0	Data-Out
0	0	1	Data-In
0	1	0	Command
0	1	1	Status
1	0	0	Reserved-Out
1	0	1	Reserved-In
1	1	0	Message-Out
1	1	1	Message-In

**RA      Relative Addressing Mode      23**

When this bit is set, the 24-bit signed value in the [DMA SCRIPTS Pointer Save \(DPS\)](#) register is used as a relative offset from the current [DMA SCRIPTS Pointer \(DSP\)](#) address (which is pointing to the next instruction, not the one currently executing). The relative mode does not apply to Return and Interrupt SCRIPTS.

**Jump/Call an Absolute Address**

Start execution at the new absolute address.

Command	Condition Codes
Absolute Alternate Address	

## Jump/Call a Relative Address

Start execution at the current address plus (or minus) the relative offset.

Command	Condition Codes
Don't Care	Alternate Jump Offset

The SCRIPTS program counter is a 32-bit value pointing to the SCRIPTS currently under execution by the LSI53C876. The next address is formed by adding the 32-bit program counter to the 24-bit signed value of the last 24 bits of the Jump or Call instruction. Because it is signed (2's complement), the jump can be forward or backward.

A relative transfer can be to any address within a 16 Mbyte segment. The program counter is combined with the 24-bit signed offset (using addition or subtraction) to form the new execution address.

SCRIPTS programs may contain a mixture of direct jumps and relative jumps to provide maximum versatility when writing SCRIPTS. For example, major sections of code can be accessed with far calls using the 32-bit physical address, then local labels can be called using relative transfers. If a SCRIPT is written using only relative transfers it does not require any run time alteration of physical addresses, and can be stored in and executed from a PROM.

<b>CT</b>	<b>Carry Test</b>	<b>21</b>
	When this bit is set, decisions based on the ALU carry bit can be made. True/False comparisons are legal, but Data Compare and Phase Compare are illegal.	
<b>IF</b>	<b>Interrupt-on-the-Fly</b>	<b>20</b>
	When this bit is set, the interrupt instruction does not halt the SCRIPTS processor. Once the interrupt occurs, the Interrupt-on-the-Fly bit ( <a href="#">Interrupt Status (ISTAT)</a> , bit 2) is asserted.	
<b>JMP</b>	<b>Jump If True/False</b>	<b>19</b>
	This bit determines whether the LSI53C876 branches when a comparison is true or when a comparison is false. This bit applies to phase compares, data compares, and carry tests. If both the Phase Compare and Data	

Compare bits are set, then both compares must be true to branch on a true condition. Both compares must be false to branch on a false condition.

Bit 19	Result of Compare	Action
0	False	Jump Taken
0	True	No Jump
1	False	No Jump
1	True	Jump Taken

- CD Compare Data 18**  
 When this bit is set, the first byte received from the SCSI data bus (contained in [SCSI First Byte Received \(SFBR\)](#) register) is compared with the Data to be Compared Field in the Transfer Control instruction. The Wait for Valid Phase bit controls when this compare occurs. The Jump if True/False bit determines the condition (true or false) to branch on.
- CP Compare Phase 17**  
 When the LSI53C876 is in Initiator mode, this bit controls phase compare operations. When this bit is set, the SCSI phase signals (latched by SREQ/) are compared to the Phase Field in the Transfer Control instruction. If they match, the comparison is true. The Wait for Valid Phase bit controls when the compare occurs. When the LSI53C876 is operating in Target mode this bit is set when it tests for an active SCSI SATN/ signal.
- WVP Wait For Valid Phase 16**  
 If the Wait for Valid Phase bit is set, the LSI53C876 waits for a previously unserved phase before comparing the SCSI phase and data.  
 If the Wait for Valid Phase bit is cleared, the LSI53C876 compares the SCSI phase and data immediately.
- DCM Data Compare Mask [15:8]**  
 The Data Compare Mask allows a SCRIPT to test certain bits within a data byte. During the data compare, if any mask bits are set, the corresponding bit in the [SCSI First Byte Received \(SFBR\)](#) data byte is ignored. For instance, a mask of 0b01111111 and data compare value of

0b1XXXXXXX allows the SCRIPTS processor to determine whether or not the high order bit is set while ignoring the remaining bits.

#### DCV

#### Data Compare Value [7:0]

This 8-bit field is the data compared against the [SCSI First Byte Received \(SFBR\)](#) register. These bits are used in conjunction with the Data Compare Mask Field to test for a particular data value. If the COM bit ([DMA Control \(DCNTL\)](#), bit 0) is cleared, the value in the SFBR register may not be stable. In this case, do not use instructions using this data compare value.

### 5.6.2 Second Dword

#### Jump Address [31:0]

This 32-bit field contains the address of the next instruction to fetch when a jump is taken. Once the LSI53C876 fetches the instruction from the address pointed to by these 32 bits, this address is incremented by 4, loaded into the [DMA SCRIPTS Pointer \(DSP\)](#) register and becomes the current instruction pointer.

---

## 5.7 Memory Move Instructions

For Memory Move instructions, bits 5 and 4 (SIOM and DIOM) in the [DMA Mode \(DMODE\)](#) register determine whether the source or destination addresses reside in memory or I/O space. By setting these bits appropriately, data may be moved within memory space, within I/O space, or between the two address spaces.

The Memory Move instruction is used to copy the specified number of bytes from the source address to the destination address.

Allowing the LSI53C876 to perform memory moves frees the system processor for other tasks and moves data at higher speeds than available from current DMA controllers. Up to 16 Mbytes may be transferred with one instruction. There are two restrictions:





## 5.7.1 Read/Write System Memory from SCRIPTS

By using the Memory Move instruction, single or multiple register values are transferred to or from system memory.

Because the LSI53C876 responds to addresses as defined in the [Base Address Register Zero \(I/O\)](#) or [Base Address Register One \(Memory\)](#) registers, it can be accessed during a Memory Move operation if the source or destination address decodes to within the chip's register space. If this occurs, the register indicated by the lower seven bits of the address is taken as the data source or destination. In this way, register values are saved to system memory and later restored, and SCRIPTS can make decisions based on data values in system memory.

The [SCSI First Byte Received \(SFBR\)](#) is not writable using the CPU, and therefore not by a Memory Move. However, it can be loaded using SCRIPTS Read/Write operations. To load the SFBR with a byte stored in system memory, first move the byte to an intermediate LSI53C876 register (for example, a SCRATCH register), and then to the [SCSI First Byte Received \(SFBR\)](#).

The same address alignment restrictions apply to register access operations as to normal memory-to-memory transfers.

## 5.7.2 Second Dword

**DSPS Register** [31:0]

These bits contain the source address of the Memory Move.

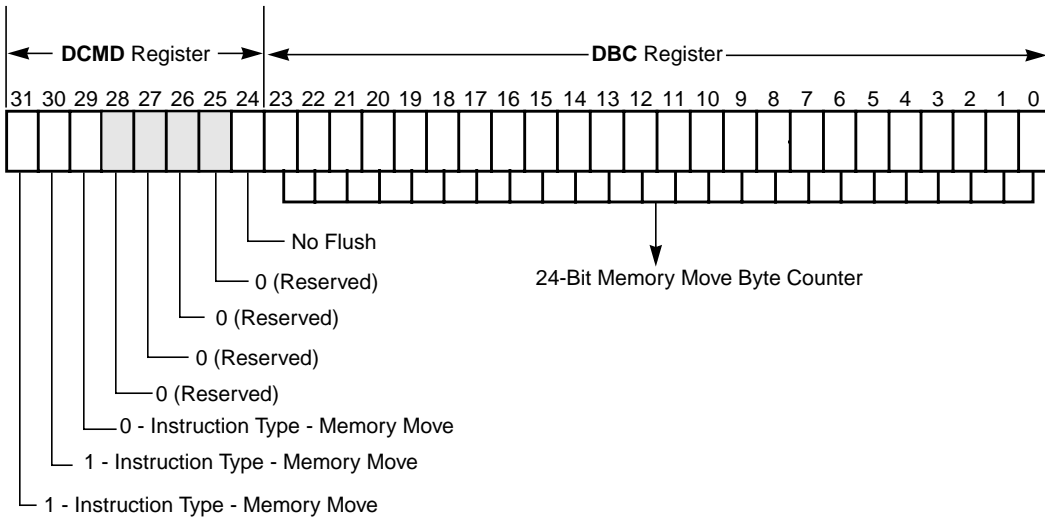
## 5.7.3 Third Dword

**TEMP Register** [31:0]

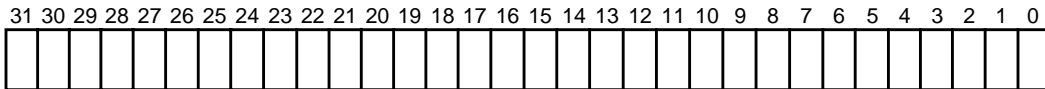
These bits contain the destination address for the Memory Move.

[Figure 5.6](#) illustrates the Memory Move instruction.

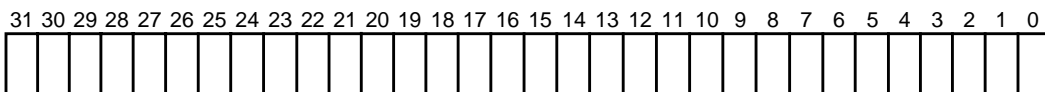
**Figure 5.6 Memory Move Instruction**



**DSPS Register**



**TEMP Register**



---

## 5.8 Load and Store Instructions

The Load and Store instruction provides a more efficient way to move data from/to memory to/from an internal register in the chip without using the normal memory move instruction.

The Load and Store instructions are represented by two Dword opcodes. The first Dword contains the [DMA Command \(DCMD\)](#) and [DMA Byte Counter \(DBC\)](#) register values. The second Dword contains the [DMA SCRIPTS Pointer Save \(DSPTS\)](#) value. This is either the actual memory location of where to Load and Store, or the offset from the [Data Structure Address \(DSA\)](#), depending on the value of bit 28 (DSA Relative).

A maximum of 4 bytes may be moved with these instructions. The register address and memory address must have the same byte alignment, and the count set such that it does not cross Dword boundaries. The memory address may not map back to the chip, excluding RAM and ROM. If it does, a PCI read/write cycle occurs (the data does not actually transfer to/from the chip), and the chip issues an interrupt (Illegal Instruction Detected) immediately following.

Bit A1	Bit A0	Number of Bytes Allowed to Load and Store
0	0	One, two, three or four
0	1	One, two, or three
1	0	One or two
1	1	One

The SIOM and DIOM bits in the [DMA Mode \(DMODE\)](#) register determine whether the destination or source address of the instruction is in Memory space or I/O space, as illustrated in the following table. The Load and Store utilizes the PCI commands for I/O read and I/O write to access the I/O space.

Bit	Source	Destination
SIOM (Load)	Memory	Register
DIOM (Store)	Register	Memory

## 5.8.1 First Dword

<b>IT[2:0]</b>	<b>Instruction Type</b> These bits should be 0b111, indicating the Load and Store instruction.	<b>[31:29]</b>
<b>DSA</b>	<b>DSA Relative</b> When this bit is cleared, the value in the <a href="#">DMA SCRIPTS Pointer Save (DSPS)</a> is the actual 32-bit memory address to perform the Load and Store to/from. When this bit is set, the chip determines the memory address to perform the Load and Store to/from by adding the 24 bit signed offset value in the <a href="#">DMA SCRIPTS Pointer Save (DSPS)</a> to the <a href="#">Data Structure Address (DSA)</a> .	<b>28</b>
<b>R</b>	<b>Reserved</b>	<b>[27:26]</b>
<b>NF</b>	<b>No Flush (Store instruction only)</b> When this bit is set, the LSI53C876 performs a Store without flushing the prefetch unit. When this bit is cleared, the Store instruction automatically flushes the prefetch unit. Use No Flush if the source and destination are not within four instructions of the current Store instruction. This bit is has no effect on the Load instruction.	<b>25</b>
<p><u>Note:</u> This bit has no effect unless the Prefetch Enable bit in the <a href="#">DMA Control (DCNTL)</a> register is set. For information on SCRIPTS instruction prefetching, see <a href="#">Chapter 2, "Functional Description."</a></p>		
<b>LS</b>	<b>Load and Store</b> When this bit is set, the instruction is a Load. When cleared, it is a Store.	<b>24</b>
<b>R</b>	<b>Reserved</b>	<b>23</b>
<b>RA[6:0]</b>	<b>Register Address</b> A[6:0] selects the register to Load and Store to/from within the LSI53C876.	<b>[22:16]</b>
<b>R</b>	<b>Reserved</b>	<b>[15:3]</b>
<b>BC</b>	<b>Byte Count</b> This value is the number of bytes to Load and Store.	<b>[2:0]</b>

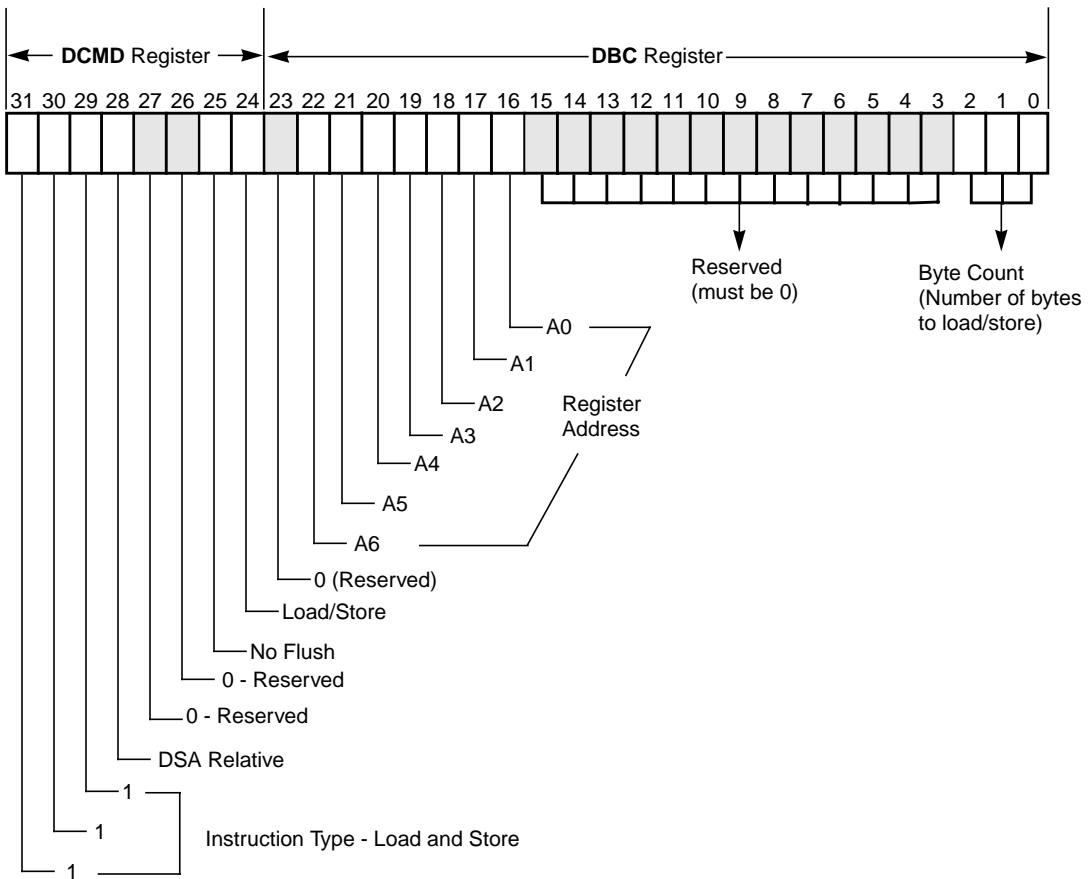
## 5.8.2 Second Dword

### Memory I/O Address / DSA Offset [31:0]

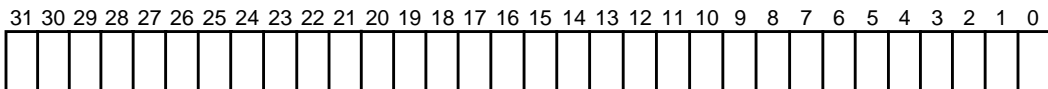
This is the actual memory location of where to Load and Store, or the offset from the [Data Structure Address \(DSA\)](#) register value.

[Figure 5.7](#) illustrates the Load and Store Instruction format.

**Figure 5.7 Load and Store Instruction Format**



**DSPS Register - Memory/ I/O Address/DSA Offset**







# Chapter 6

## Electrical

## Characteristics

---

This section specifies the LSI53C876 electrical and mechanical characteristics. It is divided into the following sections:

- [Section 6.1, “DC Characteristics”](#)
  - [Section 6.2, “3.3 V PCI DC Characteristics”](#)
  - [Section 6.3, “TolerANT Technology Electrical Characteristics”](#)
  - [Section 6.4, “AC Characteristics”](#)
  - [Section 6.5, “Package Diagrams”](#)
- 

### 6.1 DC Characteristics

This section of the manual describes the LSI53C876 DC characteristics. [Table 6.1](#) through [Table 6.15](#) give current and voltage specifications. These characteristics apply whenever a VDD source of 5 V is supplied to the pins below.

**Table 6.1 Absolute Maximum Stress Ratings**

Symbol	Parameter	Min	Max	Unit	Test Conditions
T <sub>STG</sub>	Storage temperature	-55	150	°C	–
V <sub>DD</sub>	Supply voltage	-0.5	7.0	V	–
V <sub>IN</sub>	Input voltage	V <sub>SS</sub> -0.5	V <sub>DD</sub> +0.5	V	–
I <sub>LP</sub> <sup>1</sup>	Latch-up current	±150	–	mA	–
ESD <sup>2</sup>	Electrostatic discharge	–	2 K	V	MIL-STD 883C, Method 3015.7

1.  $-2\text{ V} < V_{\text{PIN}} < 8\text{ V}$ .

2. SCSI pins only.

Note: Stresses beyond those listed above may cause permanent damage to the device. These are stress ratings only; functional operation of the device at these or any other conditions beyond those indicated in the [Operating Conditions](#) section of the manual is not implied.

**Table 6.2 Operating Conditions**

Symbol	Parameter	Min	Max	Unit	Test Conditions
V <sub>DD</sub>	Supply voltage	4.75	5.25	V	–
I <sub>DD</sub>	Supply current (dynamic) Supply current (static)	– –	150 1	mA mA	– –
T <sub>A</sub>	Operating free air	0	70	°C	–
θ <sub>JA</sub>	Thermal resistance (junction to ambient air)	–	50	°C/W	–

Note: Conditions that exceed the operating limits may cause the device to function incorrectly.

**Table 6.3 SCSI Signals—SD[15:0]/, SDP[1:0]/, SREQ/, SACK/**

Symbol	Parameter	Min	Max	Unit	Test Conditions
$V_{IH}$	Input high voltage	1.9	$V_{DD} + 0.5$	V	–
$V_{IL}$	Input low voltage	$V_{SS} - 0.5$	1.0	V	–
$V_{OH}^1$	Output high voltage	2.5	3.5	V	2.5 mA
$V_{OL}$	Output low voltage	$V_{SS}$	0.5	V	48 mA
$I_{OZ}$	3-state leakage	–10	10	$\mu A$	–

1. TolerANT active negation enabled.

**Table 6.4 SCSI Signals—SMSG, SI\_O/, SC\_D/, SATN/, SBSY/, SSEL/, SRST/**

Symbol	Parameter	Min	Max	Unit	Test Conditions
$V_{IH}$	Input high voltage	1.9	$V_{DD} + 0.5$	V	–
$V_{IL}$	Input low voltage	$V_{SS} - 0.5$	1.0	V	–
$V_{OL}$	Output low voltage	$V_{SS}$	0.5	V	48 mA
$I_{OZ}$	3-state leakage (SRST/ only)	–10 –500	10 –50	$\mu A$	–

**Table 6.5 Input Signals—CLK, SCLK, GNT/, IDSEL, RST/, TESTIN, DIFFSENS**

Symbol	Parameter	Min	Max	Unit	Test Conditions
$V_{IH}$	Input high voltage	2.0	$V_{DD} + 0.5$	V	–
$V_{IL}$	Input low voltage	$V_{SS} - 0.5$	0.8	V	–
$I_{IN}$	Input leakage	–10	10	$\mu A$	–

Note: SCLK and RST/ have 100  $\mu A$  pull-ups that are enabled when TESTIN is low. GNT/ and IDSEL have 25  $\mu A$  pull-ups that are enabled when TESTIN is low. TESTIN has a 100  $\mu A$  pull-up that is always enabled.

**Table 6.6 Capacitance**

Symbol	Parameter	Min	Max	Unit	Test Conditions
$C_I$	Input capacitance of input pads	–	7	pF	–
$C_{IO}$	Input capacitance of I/O pads	–	10	pF	–

**Table 6.7 Output Signals—INTA/, INTB/**

Symbol	Parameter	Min	Max	Unit	Test Conditions
$V_{OH}$	Output high voltage	2.4	$V_{DD}$	V	–16 mA
$V_{OL}$	Output low voltage	$V_{SS}$	0.4	V	16 mA
$I_{OZ}$	3-state leakage	–200	–50	$\mu$ A	–

Note: INTA/ and INTB/ have 100  $\mu$ A pull-ups that are enabled when TESTIN is low. INTA/ and INTB/ can be enabled with a register bit as an open drain output with an internal 100  $\mu$ A pull-up.

**Table 6.8 Output Signals—SDIR[15:0], SDIRP0, SDIRP1, BSYDIR, SELDIR, RSTDIR, TGS, IGS, MAS[1:0], MCE/, MOE/\_TESTOUT, MWE/**

Symbol	Parameter	Min	Max	Unit	Test Conditions
$V_{OH}$	Output high voltage	2.4	$V_{DD}$	V	–4 mA
$V_{OL}$	Output low voltage	$V_{SS}$	0.4	V	4 mA
$I_{OZ}$	3-state leakage	–10	10	$\mu$ A	–

Note: Each of these output signals have a 100  $\mu$ A pull-up that is enabled when TESTIN is low.

**Table 6.9 Output Signal—REQ/**

Symbol	Parameter	Min	Max	Unit	Test Conditions
V <sub>OH</sub>	Output high voltage	2.4	V <sub>DD</sub>	V	–16 mA
V <sub>OL</sub>	Output low voltage	V <sub>SS</sub>	0.4	V	16 mA
I <sub>OZ</sub>	3-state leakage	–10	10	μA	–

Note: REQ/ has a 25 μA pull-up that is enabled when TESTIN is low.

**Table 6.10 Output Signal—SERR/**

Symbol	Parameter	Min	Max	Unit	Test Conditions
V <sub>OL</sub>	Output low voltage	V <sub>SS</sub>	0.4	V	16 mA
I <sub>OZ</sub>	3-state leakage	–10	10	μA	–

Note: SERR/ has a 25 μA pull-up that is enabled when TESTIN is low.

**Table 6.11 Bidirectional Signals—AD[31:0], C\_BE/[3:0], FRAME/, IRDY/, TRDY/, DEVSEL/, STOP/, PERR/, PAR**

Symbol	Parameter	Min	Max	Unit	Test Conditions
V <sub>IH</sub>	Input high voltage	2.0	V <sub>DD</sub> +0.5	V	–
V <sub>IL</sub>	Input low voltage	V <sub>SS</sub> –0.5	0.8	V	–
V <sub>OH</sub>	Output high voltage	2.4	V <sub>DD</sub>	V	16 mA
V <sub>OL</sub>	Output low voltage	V <sub>SS</sub>	0.4	V	16 mA
I <sub>OZ</sub>	3-state leakage	–10	10	μA	–

Note: All the signals in this table have 25 μA pull-ups that are enabled when TESTIN is low.

**Table 6.12 Bidirectional Signals—GPIO0\_FETCH/, GPIO1\_MASTER/, GPIO2, GPIO3, GPIO4**

Symbol	Parameter	Min	Max	Unit	Test Conditions
V <sub>IH</sub>	Input high voltage	2.0	V <sub>DD</sub> +0.5	V	–
V <sub>IL</sub>	Input low voltage	V <sub>SS</sub> –0.5	0.8	V	–
V <sub>OH</sub>	Output high voltage	2.4	V <sub>DD</sub>	V	–16 mA
V <sub>OL</sub>	Output low voltage	V <sub>SS</sub>	0.4	V	16 mA
I <sub>OZ</sub>	3-state leakage	–200	50	μA	–

**Table 6.13 Bidirectional Signals—MAD[7:0]**

Symbol	Parameter	Min	Max	Unit	Test Conditions
V <sub>IH</sub>	Input high voltage	2.0	V <sub>DD</sub> +0.5	V	–
V <sub>IH</sub>	Input high voltage - external memory pull-downs	3.85	V <sub>DD</sub> +0.5	V	–
V <sub>IL</sub>	Input low voltage	V <sub>SS</sub> –0.5	0.8	V	–
V <sub>IL</sub>	Input low voltage - external memory pull-downs	V <sub>SS</sub> –0.5	1.35	V	–
V <sub>OH</sub>	Output high voltage	2.4	V <sub>DD</sub>	V	–4 mA
V <sub>OL</sub>	Output low voltage	V <sub>SS</sub>	0.4	V	4 mA
I <sub>OZ</sub>	3-state leakage	–200	50	μA	–

**Table 6.14 Input Signals—TDI, TMS, TCK**

Symbol	Parameter	Min	Max	Unit	Test Conditions
V <sub>IH</sub>	Input high voltage	2.0	V <sub>DD</sub> +0.5	V	–
V <sub>IL</sub>	Input low voltage	V <sub>SS</sub> –0.5	0.8	V	–
I <sub>IN</sub>	Input leakage	–200	–50	μA	–

**Table 6.15 Output Signal—TDO**

Symbol	Parameter	Min	Max	Unit	Test Conditions
$V_{OH}$	Output high voltage	$V_{DD} - 0.5$	$V_{DD}$	V	-4 mA
$V_{OL}$	Output low voltage	$V_{SS}$	0.5	V	4 mA
$I_{OZ}$	3-state leakage	-10	10	$\mu A$	-

## 6.2 3.3 V PCI DC Characteristics

Table 6.16 through Table 6.19 give current and voltage specifications. These characteristics apply whenever a  $V_{DD}$  source of 3.3 V is supplied to the  $V_{DD-I}$  pins of the LSI53C876.

**Table 6.16 Bidirectional Signals—AD[31:0], C\_BE[3:0]/, FRAME/, IRDY/, TRDY/, DEVSEL/, STOP/, PERR/, PAR**

Symbol	Parameter	Min	Max	Unit	Test Conditions
$V_{IH}$	Input high voltage	$0.5 V_{DD}$	$V_{DD} + 0.5$	V	-
$V_{IL}$	Input low voltage	-0.5	$0.3 V_{DD}$	V	-
$V_{OH}$	Output high voltage	$0.9 V_{DD}$	-	V	$I_{OH} = -0.5$ mA
$V_{OL}$	Output low voltage	-	$0.1 V_{DD}$	V	$I_{OL} = 1.5$ mA
$I_{OZ}$	3-state leakage	-10	10	$\mu A$	-

**Table 6.17 Input Signals—CLK, GNT/, IDSEL, RST/,**

Symbol	Parameter	Min	Max	Unit	Test Conditions
$V_{IH}$	Input high voltage	$0.5 V_{DD}$	$V_{DD} + 0.5$	V	-
$V_{IL}$	Input low voltage	-0.5	$0.3 V_{DD}$	V	-
$I_{IN}$	Input leakage	-10	10	$\mu A$	-

**Table 6.18 Output Signals—INTA/, INTB, REQ/**

Symbol	Parameter	Min	Max	Unit	Test Conditions
$V_{OH}$	Output high voltage	$0.9 V_{DD}$	–	V	$I_{OH} = -0.5 \text{ mA}$
$V_{OL}$	Output low voltage	–	$0.1 V_{DD}$	V	$I_{OL} = 1.5 \text{ mA}$
$I_{OZ}$	3-state leakage	–10	10	$\mu\text{A}$	–

**Table 6.19 Output Signal—SERR/**

Symbol	Parameter	Min	Max	Unit	Test Conditions
$V_{OL}$	Output low voltage	–	$0.1 V_{DD}$	V	$I_{OL} = 1.5 \text{ mA}$
$I_{OZ}$	3-state leakage	–10	10	$\mu\text{A}$	–

## 6.3 TolerANT Technology Electrical Characteristics

The LSI53C876 features TolerANT technology, which includes active negation on the SCSI drivers and input signal filtering on the SCSI receivers. Active negation actively drives the SCSI Request, Acknowledge, Data, and Parity signals HIGH rather than allowing them to be passively pulled up by terminators. [Table 6.20](#) provides electrical characteristics for SE SCSI signals. [Figure 6.1](#) through [Figure 6.5](#) provide reference information for testing SCSI signals.

**Note:** TolerANT applies only to the SCSI bus.



**Table 6.20 TolerANT Technology Electrical Characteristics**

Symbol	Parameter	Min	Max	Unit	Test Conditions
$V_{OH}^1$	Output high voltage	2.5	3.5	V	$I_{OH} = 2.5 \text{ mA}$
$V_{OL}$	Output low voltage	0.1	0.5	V	$I_{OL} = 48 \text{ mA}$
$V_{IH}$	Input high voltage	2.0	7.0	V	–
$V_{IL}$	Input low voltage	–0.5	0.8	V	Referenced to $V_{SS}$
$V_{IK}$	Input clamp voltage	–0.66	–0.77	V	$V_{DD} = 4.75$ ; $I_I = -20 \text{ mA}$
$V_{TH}$	Threshold, HIGH to LOW	1.1	1.3	V	–
$V_{TL}$	Threshold, LOW to HIGH	1.5	1.7	V	–
$V_{TH}-V_{TL}$	Hysteresis	200	400	mV	–
$I_{OH}^1$	Output high current	2.5	24	mA	$V_{OH} = 2.5 \text{ V}$
$I_{OL}$	Output low current	100	200	mA	$V_{OL} = 0.5 \text{ V}$
$I_{OSH}^1$	Short-circuit output high current	–	625	mA	Output driving low, pin shorted to $V_{DD}$ supply <sup>2</sup>
$I_{OSL}$	Short-circuit output low current	–	95	mA	Output driving high, pin shorted to $V_{SS}$ supply
$I_{LH}$	Input high leakage	–	10	$\mu\text{A}$	$-0.5 < V_{DD} < 5.25$ $V_{PIN} = 2.7 \text{ V}$
$I_{LL}$	Input low leakage	–	–10	$\mu\text{A}$	$-0.5 < V_{DD} < 5.25$ $V_{PIN} = 0.5 \text{ V}$
$R_I$	Input resistance	20	–	$\text{M}\Omega$	SCSI pins <sup>3</sup>
$C_P$	Capacitance per pin	–	10	pF	PQFP
$t_R^1$	Rise time, 10% to 90%	9.7	18.5	ns	<a href="#">Figure 6.1</a>
$t_F$	Fall time, 90% to 10%	5.2	14.7	ns	<a href="#">Figure 6.1</a>
$dV_H/dt$	Slew rate, LOW to HIGH	0.15	0.49	V/ns	<a href="#">Figure 6.1</a>
$dV_L/dt$	Slew rate, HIGH to LOW	0.19	0.67	V/ns	<a href="#">Figure 6.1</a>
ESD	Electrostatic discharge	2	–	kV	MIL-STD-883C; 3015-7
	Latch-up	150	–	mA	–
	Filter delay	20	30	ns	<a href="#">Figure 6.2</a>
	Extended filter delay	40	60	ns	<a href="#">Figure 6.2</a>

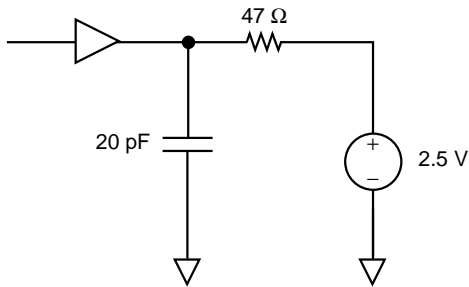
1. Active negation outputs only: Data, Parity, SREQ/, SACK/.

2. Single pin only; irreversible damage may occur if sustained for one second.

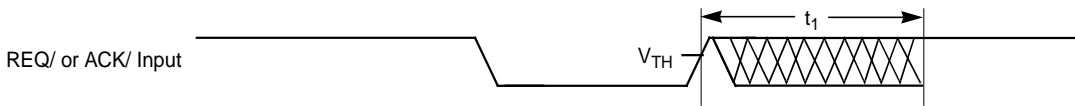
3. SCSI RESET pin has 10 k $\Omega$  pull-up resistor.

Note: These values are guaranteed by periodic characterization; they are not 100% tested on every device.

**Figure 6.1 Rise and Fall Time Test Conditions**

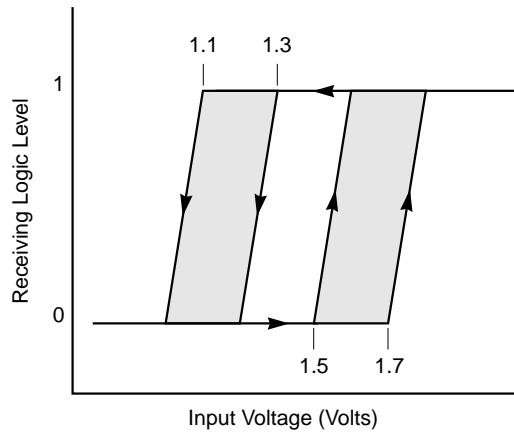


**Figure 6.2 SCSI Input Filtering**

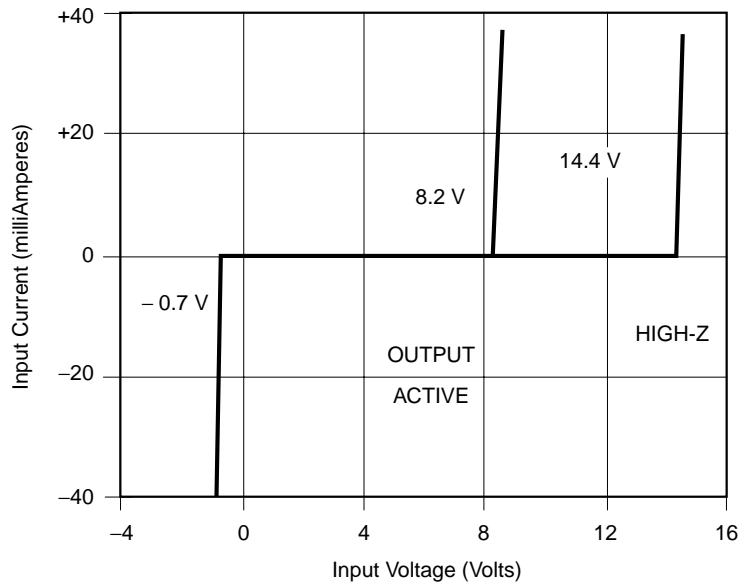


Note:  $t_1$  is the input filtering period.

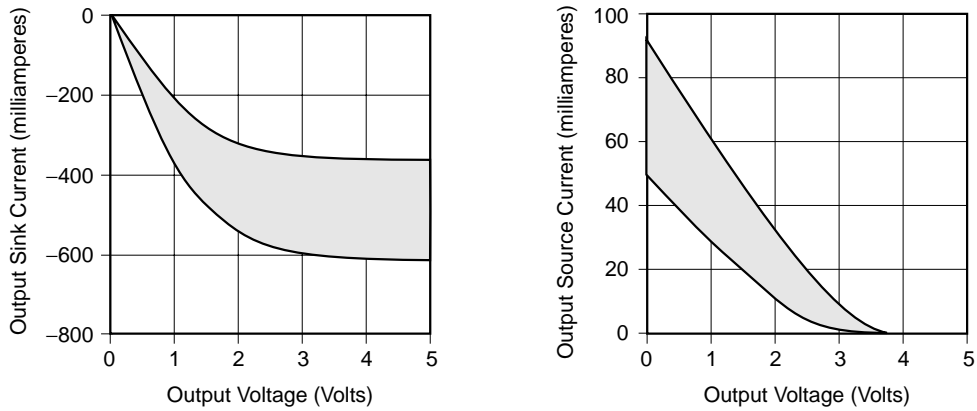
**Figure 6.3 Hysteresis of SCSI Receivers**



**Figure 6.4 Input Current as a Function of Input Voltage**



**Figure 6.5 Output Current as a Function of Output Voltage**



## 6.4 AC Characteristics

The AC characteristics described in this section apply over the entire range of operating conditions (refer to [Section 6.1, “DC Characteristics”](#)). Chip timing is based on simulation at worst case voltage, temperature, and processing.

This part of the chapter contains AC Characteristics for the PCI Interface and the SCSI Interface. [Table 6.21](#) and [Figure 6.6](#) provide Clock Timing data.

**Table 6.21 Clock Timing**

Symbol	Parameter	Min	Max	Unit
$t_1$	Bus clock cycle time	30	DC	ns
	SCSI clock cycle time (SCLK) <sup>1</sup>	15	60	ns
$t_2$	CLK LOW time <sup>2</sup>	11	–	ns
	SCLK LOW time <sup>2</sup>	6	33	ns
$t_3$	CLK HIGH time <sup>2</sup>	11	–	ns
	SCLK HIGH time <sup>2</sup>	6	33	ns
$t_4$	CLK slew rate	1	–	V/ns
	SCLK slew rate	1	–	ns

1. This parameter must be met to ensure SCSI timings are within specification.
2. Duty cycle not to exceed 60/40.

**Figure 6.6 Clock Timing**

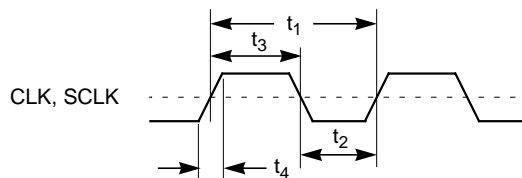


Table 6.22 and Figure 6.7 provide Reset Input timing data.

**Table 6.22 Reset Input**

Symbol	Parameter	Min	Max	Unit
$t_1$	Reset pulse width	10	–	$t_{CLK}$
$t_2$	Reset deasserted setup to CLK HIGH	0	–	ns
$t_3$	MAD setup time to CLK HIGH (for configuring the MAD bus only)	20	–	ns
$t_4$	MAD hold time from CLK HIGH (for configuring the MAD bus only)	20	–	ns

**Figure 6.7 Reset Input**

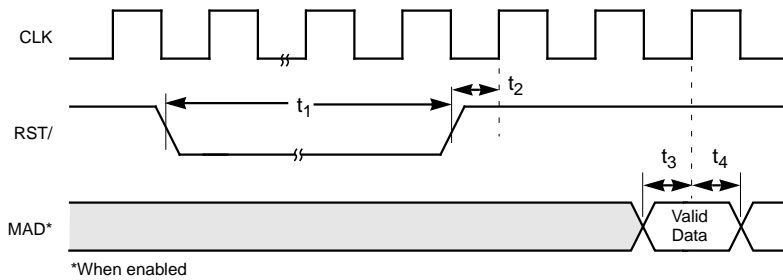
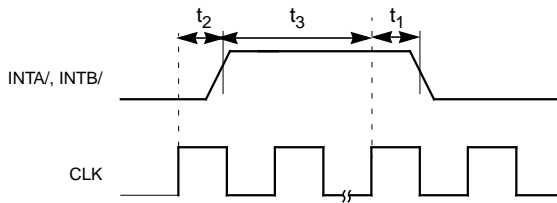


Table 6.23 and Figure 6.8 provide Interrupt Output timing data.

**Table 6.23 Interrupt Output**

Symbol	Parameter	Min	Max	Unit
$t_1$	CLK HIGH to IRQ/ LOW	20	–	ns
$t_2$	CLK HIGH to IRQ/ HIGH	40	–	ns
$t_3$	INTA/, INTB/ deassertion time	3	–	CLKs

**Figure 6.8 Interrupt Output**



## 6.4.1 PCI and External Memory Interface Timings

Figure 6.9 through Figure 6.29 represent signal activity when the LSI53C876 accesses the PCI bus. This section includes timing diagrams for access to three groups of external memory configurations. The first group applies to systems with memory size of 128 Kbytes and above; one byte read or write cycle, and fast or normal ROMs. The second group applies to systems with memory size of 128 Kbytes and above, one byte read or write cycles, and slow ROMs. The third group applies to systems with memory size of 64 Kbytes or less, one byte read or write cycles, and normal or fast ROM.

**Note:** Multiple byte access to the external memory bus increases the read or write cycle by 11 clocks for each additional byte. For your convenience, we have created one table with all the symbols and parameters for all the timing diagrams as well as included a table for each timing diagram.

Timing diagrams included in this section:

- Configuration Register Read
- Configuration Register Write
- Target Read (Not From External Memory)
- Target Write (Not From External Memory)
- Target Read, from External Memory
- Target Write, from External Memory
- Opcode Fetch, Nonburst
- Opcode Fetch, Burst
- Back-to-Back Read
- Back-to-Back Write
- Burst Read
- Burst Write
- Read Cycle, Normal/Fast Memory ( $\geq 128$  Kbytes), Single Byte Access
- Write Cycle, Normal/Fast Memory ( $\geq 128$  Kbytes), Single Byte Access

- Read Cycle, Normal/Fast Memory ( $\geq 128$  Kbyte), Multiple Byte Access
- Write Cycle, Normal/Fast Memory ( $\geq 128$  Kbyte), Multiple Byte Access
- Read Cycle, Slow Memory ( $\geq 128$  Kbytes)
- Write Cycle, Slow Memory ( $\geq 128$  Kbytes)
- Read Cycle, 16 Kbytes ROM
- Write Cycle, 16 Kbytes ROM

#### 6.4.1.1 3.3 V PCI Timings

Note: When a 3.3 V source is applied to the  $V_{DD-I}$  pins of the LSI53C876, some of the PCI timing data in [Table 6.24](#) through [Table 6.35](#) will change. The 3.3 V PCI timing data is listed in [Table 6.24](#).

**Table 6.24 3.3 V PCI Timing**

Symbol	Parameter	Min	Max	Unit
$t_2$	Shared signal input hold time	1	–	ns
$t_3$	CLK to shared signal output valid	–	12	ns

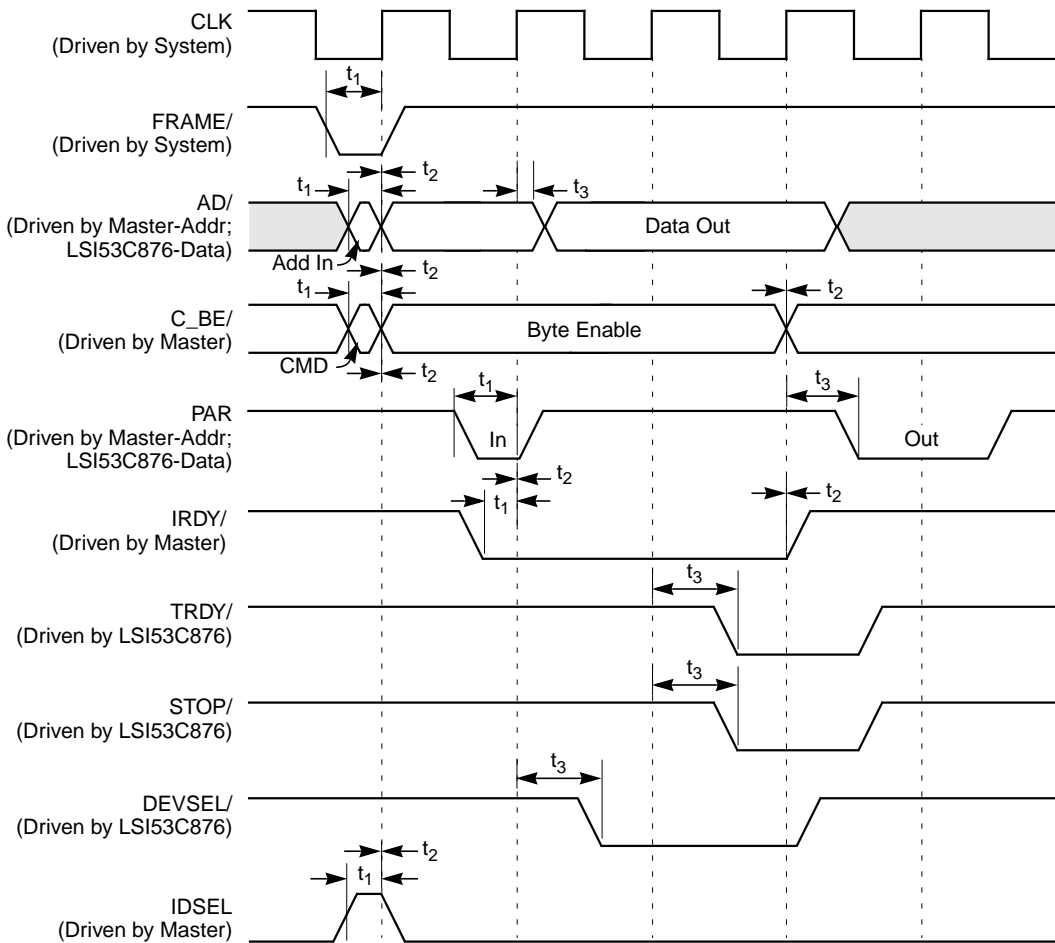


**Table 6.25 Configuration Register Read**

Symbol	Parameter <sup>1</sup>	Min	Max	Unit
$t_1$	Shared signal input setup time	7	–	ns
$t_2$	Shared signal input hold time	0	–	ns
$t_3$	CLK to shared signal output valid	–	11	ns

1. See note on page 6-16 regarding 3.3 V PCI Timing Changes.

**Figure 6.9 Configuration Register Read**

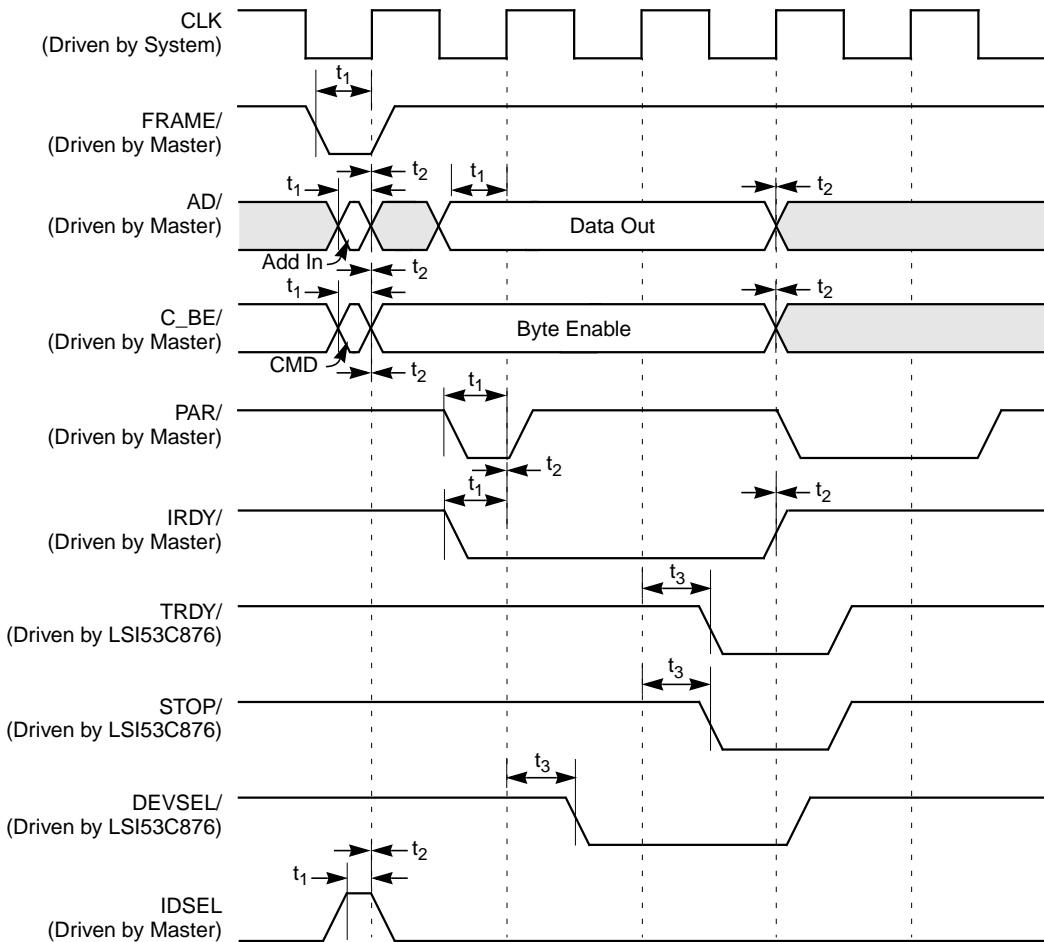


**Table 6.26 Configuration Register Write**

Symbol	Parameter <sup>1</sup>	Min	Max	Unit
$t_1$	Shared signal input setup time	7	–	ns
$t_2$	Shared signal input hold time	0	–	ns
$t_3$	CLK to shared signal output valid	–	11	ns

1. See note on page 6-16 regarding 3.3 V PCI Timing Changes.

**Figure 6.10 Configuration Register Write**

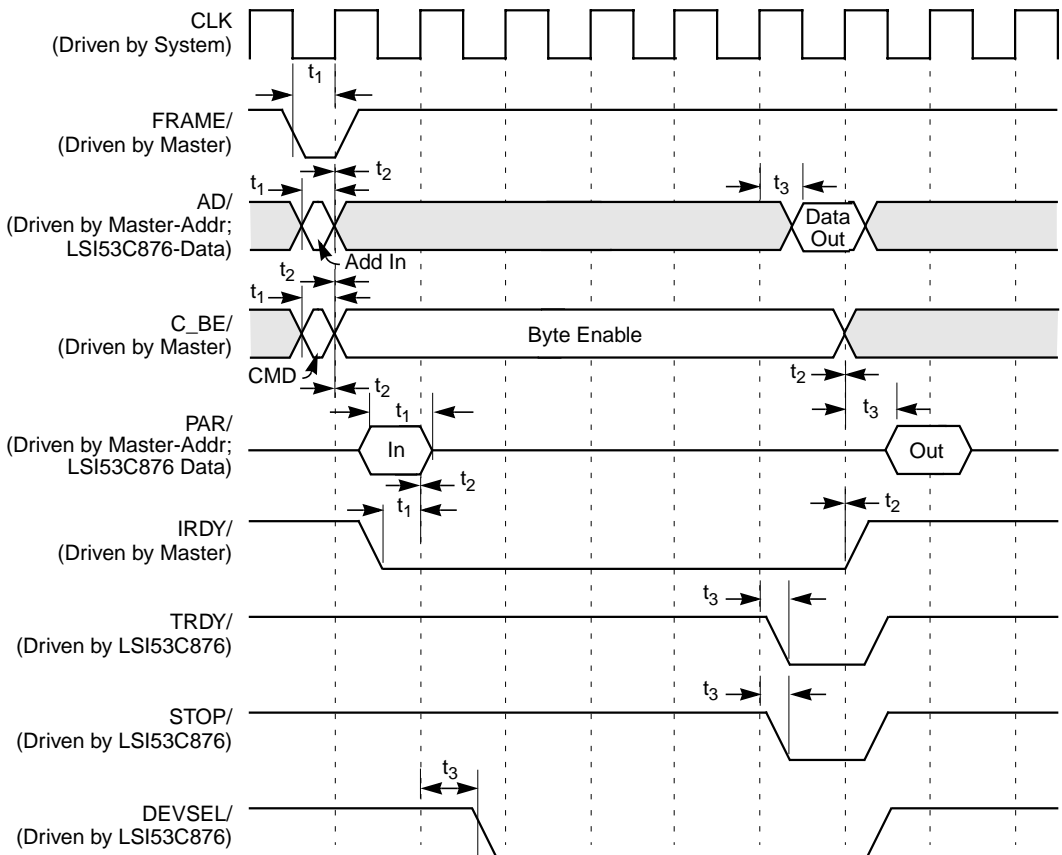


**Table 6.27 Target Read (Not From External Memory)**

Symbol	Parameter <sup>1</sup>	Min	Max	Unit
$t_1$	Shared signal input setup time	7	–	ns
$t_2$	Shared signal input hold time	0	–	ns
$t_3$	CLK to shared signal output valid	–	11	ns

1. See note on page 6-16 regarding 3.3 V PCI Timing Changes.

**Figure 6.11 Target Read (Not From External Memory)**

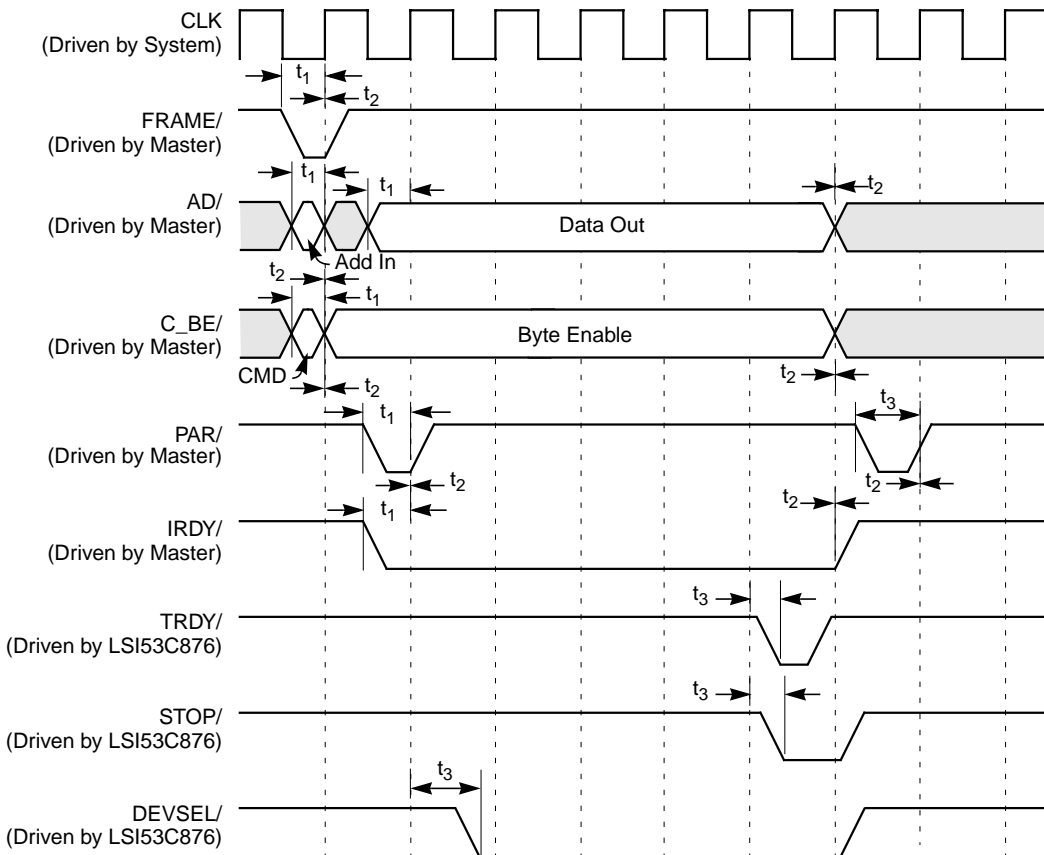


**Table 6.28 Target Write (Not From External Memory)**

Symbol	Parameter <sup>1</sup>	Min	Max	Unit
$t_1$	Shared signal input setup time	7	–	ns
$t_2$	Shared signal input hold time	0	–	ns
$t_3$	CLK to shared signal output valid	–	11	ns

1. See note on page 6-16 regarding 3.3 V PCI Timing Changes.

**Figure 6.12 Target Write (Not From External Memory)**

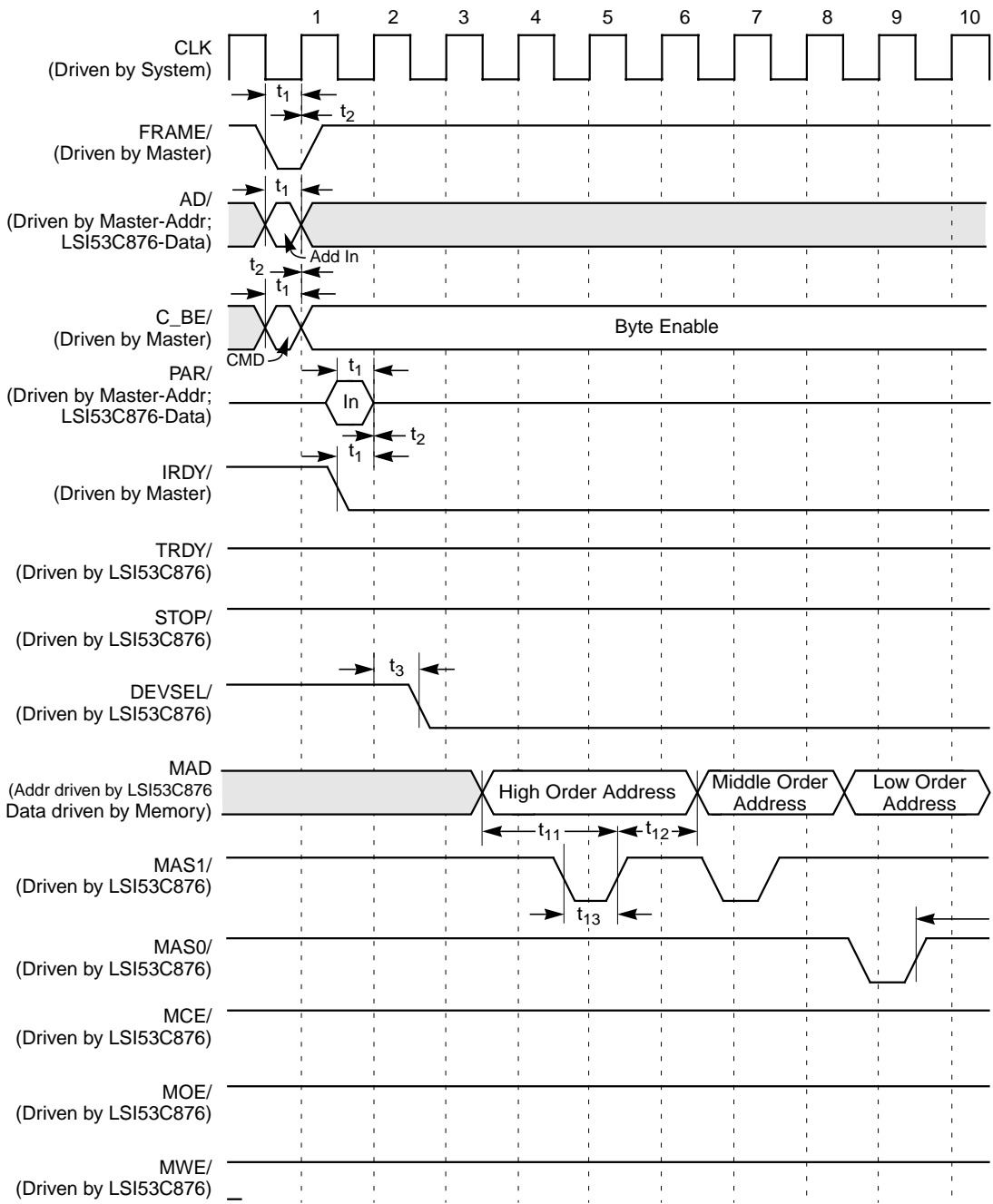


**Table 6.29 Target Read (From External Memory)**

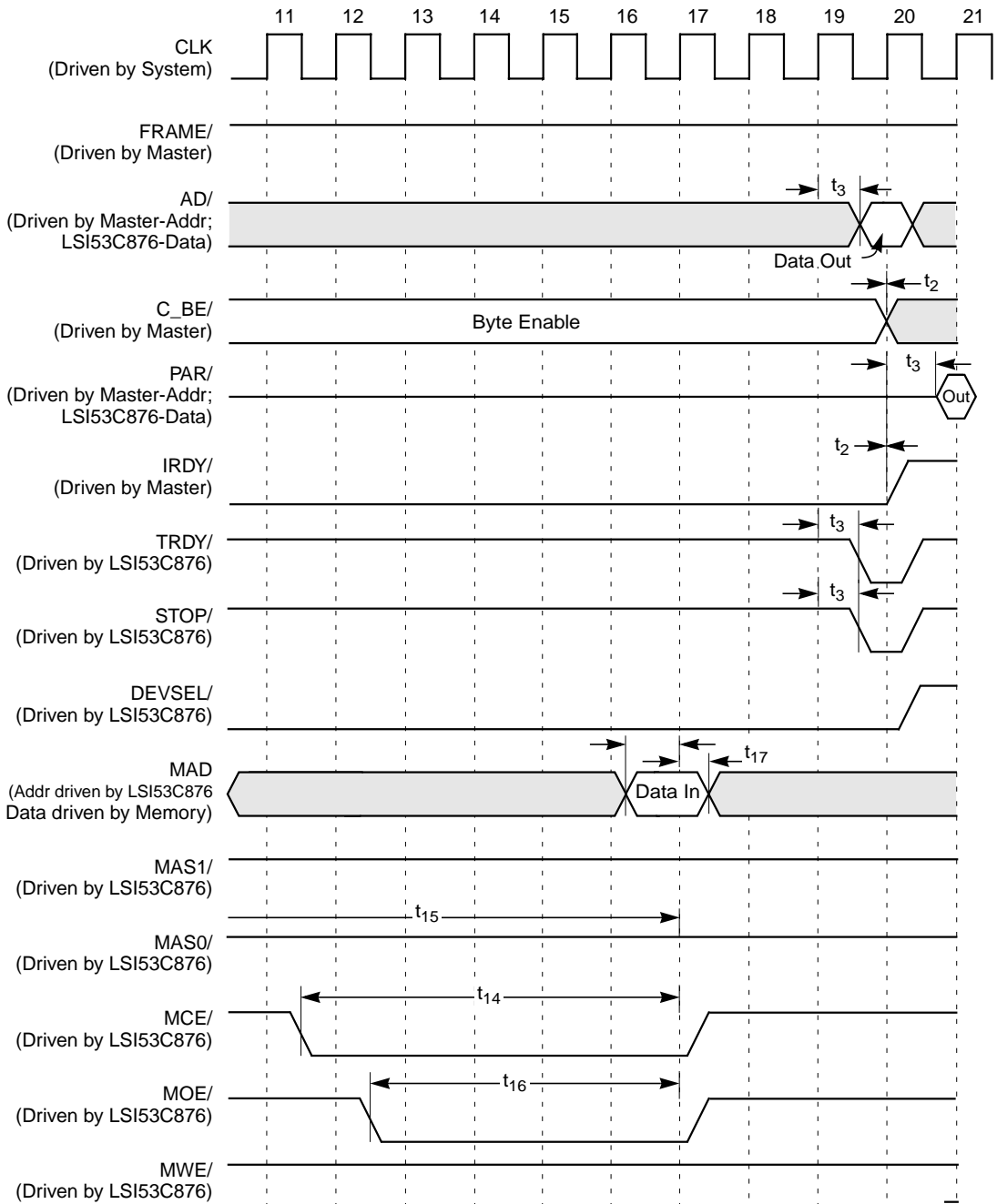
<b>Symbol</b>	<b>Parameter<sup>1</sup></b>	<b>Min</b>	<b>Max</b>	<b>Unit</b>
t <sub>1</sub>	Shared signal input setup time	7	–	ns
t <sub>2</sub>	Shared signal input hold time	0	–	ns
t <sub>3</sub>	CLK to shared signal output valid	–	11	ns
t <sub>4</sub>	Side signal input setup time	10	–	ns
t <sub>11</sub>	Address setup to MAS/ high	25	–	ns
t <sub>12</sub>	Address hold from MAS/ high	15	–	ns
t <sub>13</sub>	MAS/ pulse width	25	–	ns
t <sub>14</sub>	MCE/ low to data clocked in	160	–	ns
t <sub>15</sub>	Address valid to data clocked in	205	–	ns
t <sub>16</sub>	MOE/ low to data clocked in	100	–	ns
t <sub>17</sub>	Data hold from address, MOE/, MCE/ change	0	–	ns
t <sub>18</sub>	Address out from MOE/, MCE/ high	50	–	ns
t <sub>19</sub>	Data setup to CLK high	5	–	ns

1. See note on page 6-16 regarding 3.3 V PCI Timing Changes.

**Figure 6.13 Target Read, from External Memory**



**Figure 6.13 Target Read, from External Memory (Cont.)**



This page intentionally left blank.

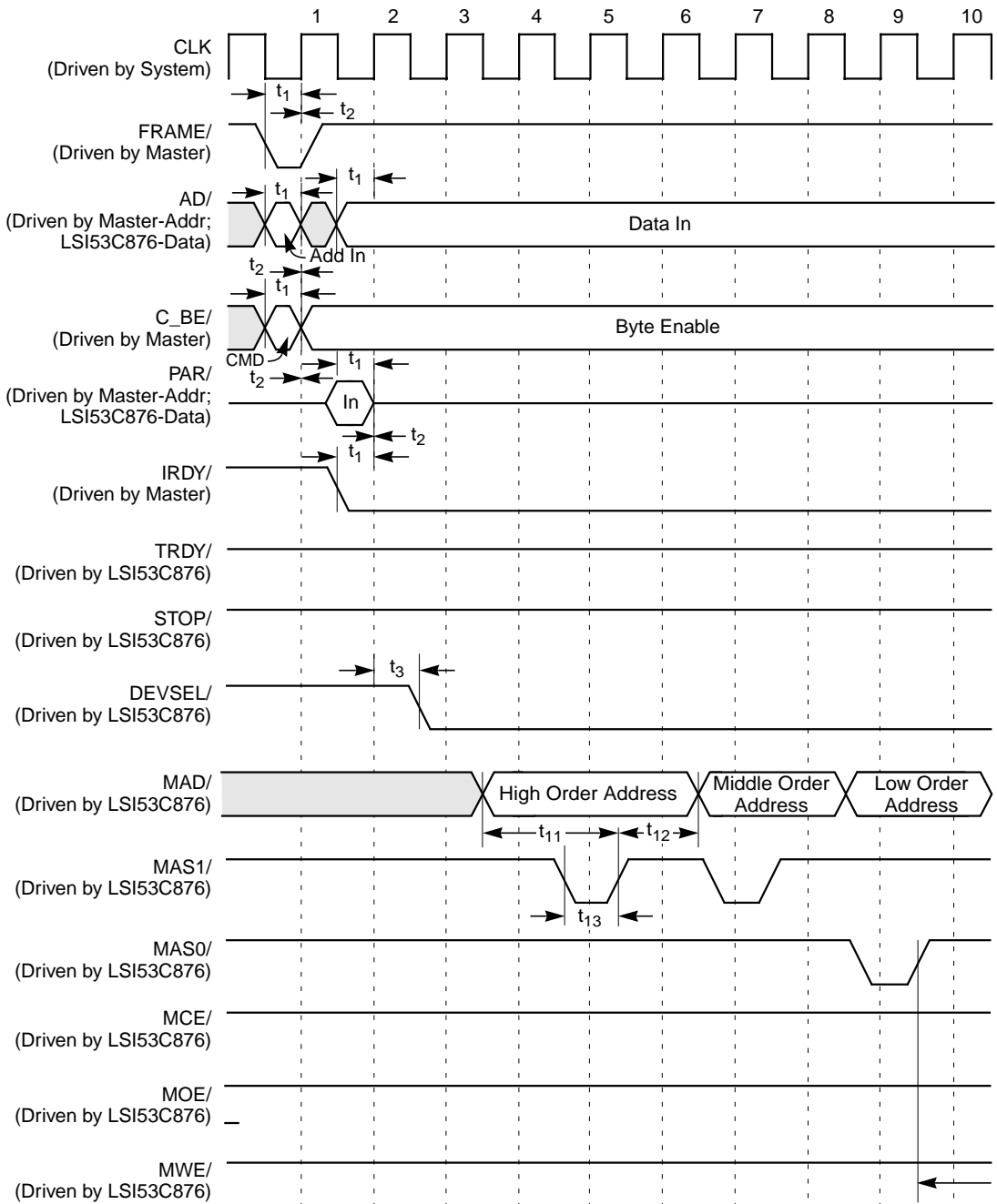


**Table 6.30 Target Write (From External Memory)**

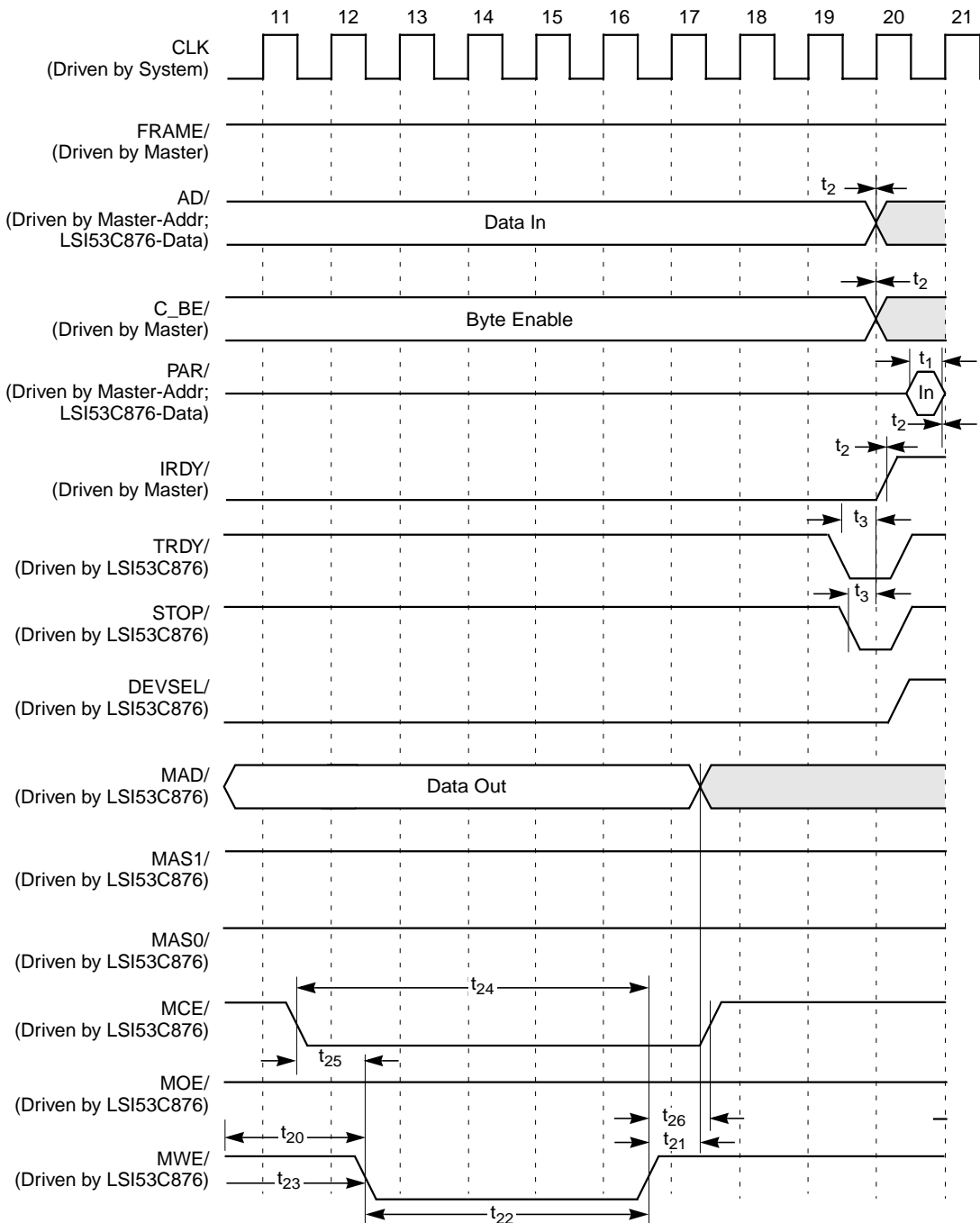
Symbol	Parameter <sup>1</sup>	Min	Max	Unit
t <sub>1</sub>	Shared signal input setup time	7	–	ns
t <sub>2</sub>	Shared signal input hold time	0	–	ns
t <sub>3</sub>	CLK to shared signal output valid	–	11	ns
t <sub>11</sub>	Address setup to MAS/ high	25	–	ns
t <sub>12</sub>	Address hold from MAS/ high	15	–	ns
t <sub>13</sub>	MAS/ pulse width	25	–	ns
t <sub>20</sub>	Data setup to MWE/ low	30	–	ns
t <sub>21</sub>	Data hold from MWE/ high	20	–	ns
t <sub>22</sub>	MWE/ pulse width	100	–	ns
t <sub>23</sub>	Address setup to MWE/ low	75	–	ns
t <sub>24</sub>	MCE/ low to MWE/ high	120	–	ns
t <sub>25</sub>	MCE/ low to MWE/ low	25	–	ns
t <sub>26</sub>	MWE/ high to MCE/ high	25	–	ns

1. See note on page 6-16 regarding 3.3 V PCI Timing Changes.

**Figure 6.14 Target Write, from External Memory**



**Figure 6.14 Target Write, from External Memory (Cont.)**

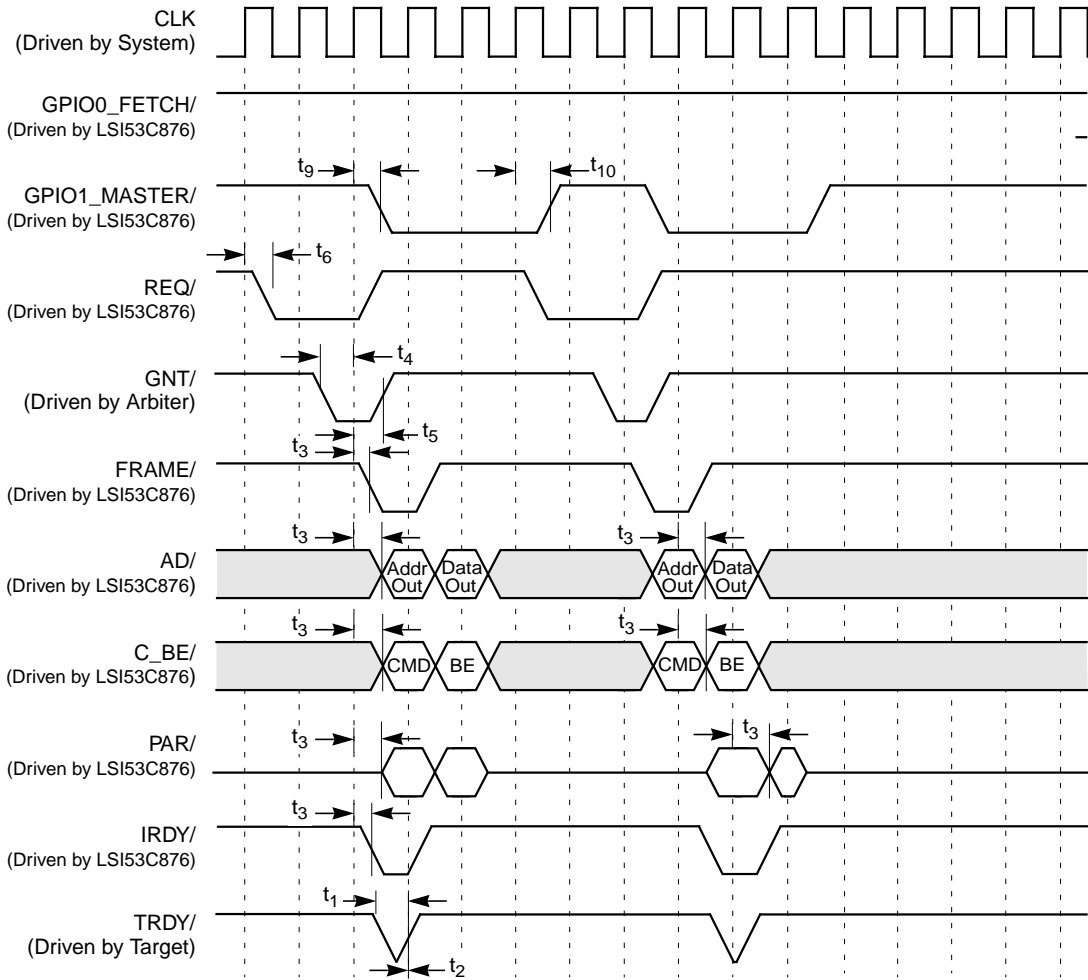


**Table 6.31 Opcode Fetch, Nonburst**

<b>Symbol</b>	<b>Parameter<sup>1</sup></b>	<b>Min</b>	<b>Max</b>	<b>Unit</b>
t <sub>1</sub>	Shared signal input setup time	7	–	ns
t <sub>2</sub>	Shared signal input hold time	0	–	ns
t <sub>3</sub>	CLK to shared signal output valid	–	11	ns
t <sub>4</sub>	Side signal input setup time	10	–	ns
t <sub>5</sub>	Side signal input hold time	0	–	ns
t <sub>6</sub>	CLK to side signal output valid	–	12	ns
t <sub>7</sub>	CLK high to FETCH/ low	–	20	ns
t <sub>8</sub>	CLK high to FETCH/ high	–	20	ns
t <sub>9</sub>	CLK high to MASTER/ low	–	20	ns
t <sub>10</sub>	CLK high to MASTER/ high	–	20	ns

1. See note on page 6-16 regarding 3.3 V PCI Timing Changes.

**Figure 6.15 Opcode Fetch, Nonburst**

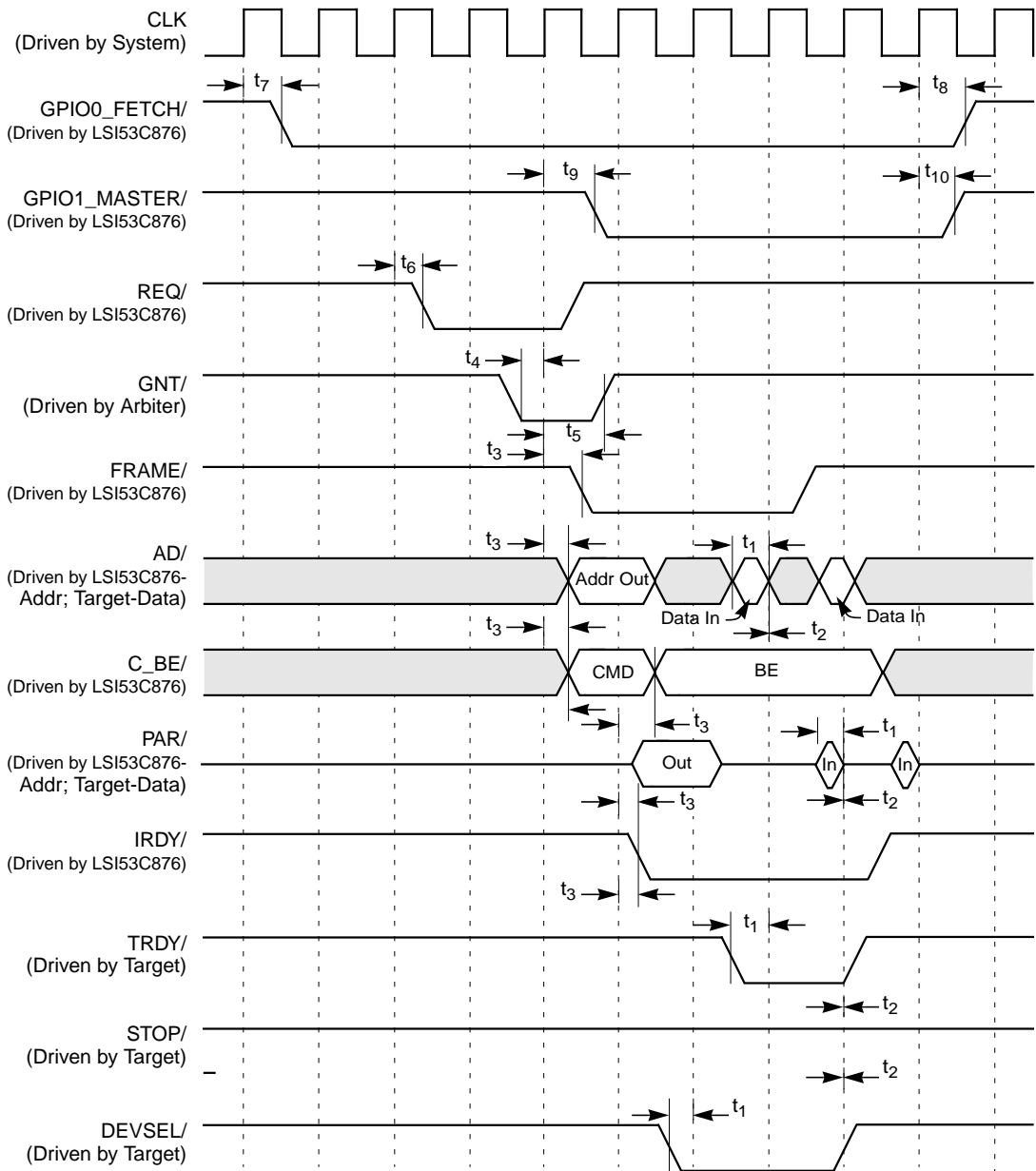


**Table 6.32 Opcode Fetch, Burst**

<b>Symbol</b>	<b>Parameter<sup>1</sup></b>	<b>Min</b>	<b>Max</b>	<b>Unit</b>
t <sub>1</sub>	Shared signal input setup time	7	–	ns
t <sub>2</sub>	Shared signal input hold time	0	–	ns
t <sub>3</sub>	CLK to shared signal output valid	–	11	ns
t <sub>4</sub>	Side signal input setup time	10	–	ns
t <sub>5</sub>	Side signal input hold time	0	–	ns
t <sub>6</sub>	CLK to side signal output valid	–	12	ns
t <sub>7</sub>	CLK high to FETCH/ low	–	20	ns
t <sub>8</sub>	CLK high to FETCH/ high	–	20	ns
t <sub>9</sub>	CLK high to MASTER/ low	–	20	ns
t <sub>10</sub>	CLK high to MASTER/ high	–	20	ns

1. See note on page 6-16 regarding 3.3 V PCI Timing Changes.

**Figure 6.16 Opcode Fetch, Burst**



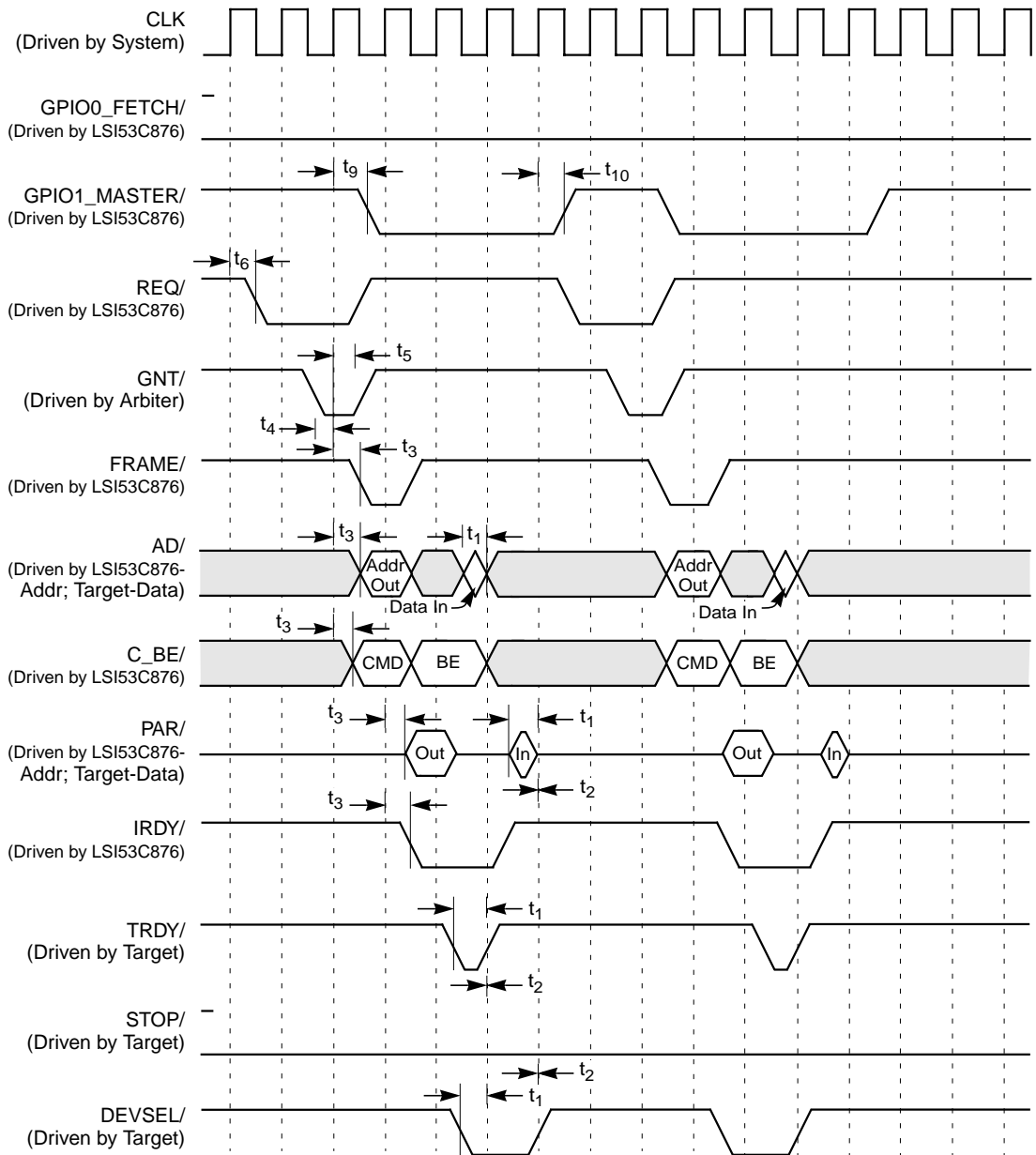
**Table 6.33 Back-to-Back Read**

<b>Symbol</b>	<b>Parameter<sup>1</sup></b>	<b>Min</b>	<b>Max</b>	<b>Unit</b>
$t_1$	Shared signal input setup time	7	–	ns
$t_2$	Shared signal input hold time	0	–	ns
$t_3$	CLK to shared signal output valid	–	11	ns
$t_4$	Side signal input setup time	10	–	ns
$t_5$	Side signal input hold time	0	–	ns
$t_6$	CLK to side signal output valid	–	12	ns
$t_9$	CLK high to MASTER/ low	–	20	ns
$t_{10}$	CLK high to MASTER/ high	–	20	ns

1. See note on page 6-16 regarding 3.3 V PCI Timing Changes.



**Figure 6.17 Back-to-Back Read**

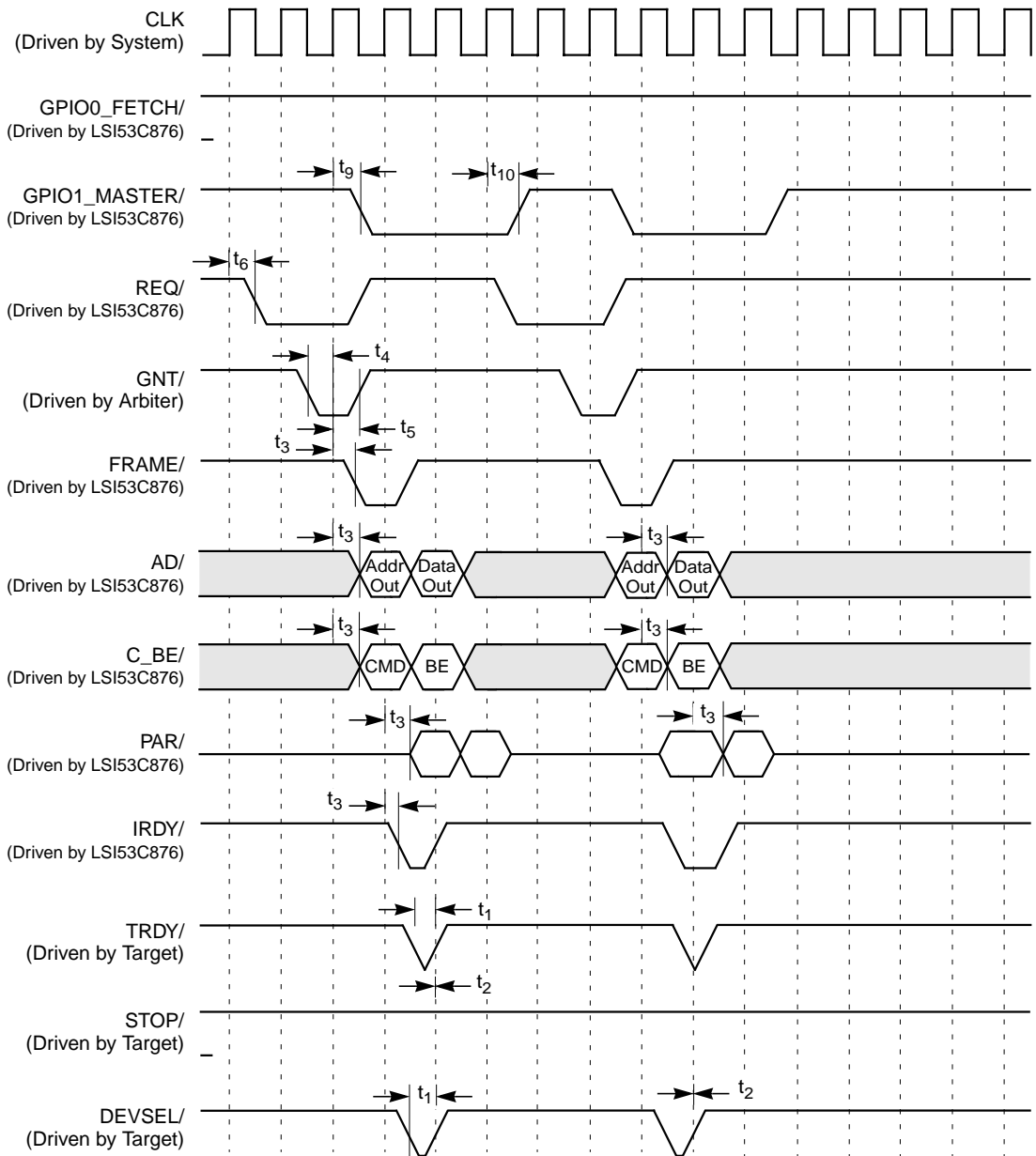


**Table 6.34 Back-to-Back Write**

<b>Symbol</b>	<b>Parameter<sup>1</sup></b>	<b>Min</b>	<b>Max</b>	<b>Unit</b>
$t_1$	Shared signal input setup time	7	–	ns
$t_2$	Shared signal input hold time	0	–	ns
$t_3$	CLK to shared signal output valid	–	11	ns
$t_4$	Side signal input setup time	10	–	ns
$t_5$	Side signal input hold time	0	–	ns
$t_6$	CLK to side signal output valid	–	12	ns
$t_9$	CLK high to MASTER/ low	–	20	ns
$t_{10}$	CLK high to MASTER/ high	–	20	ns

1. See note on page 6-16 regarding 3.3 V PCI Timing Changes.

**Figure 6.18 Back-to-Back Write**



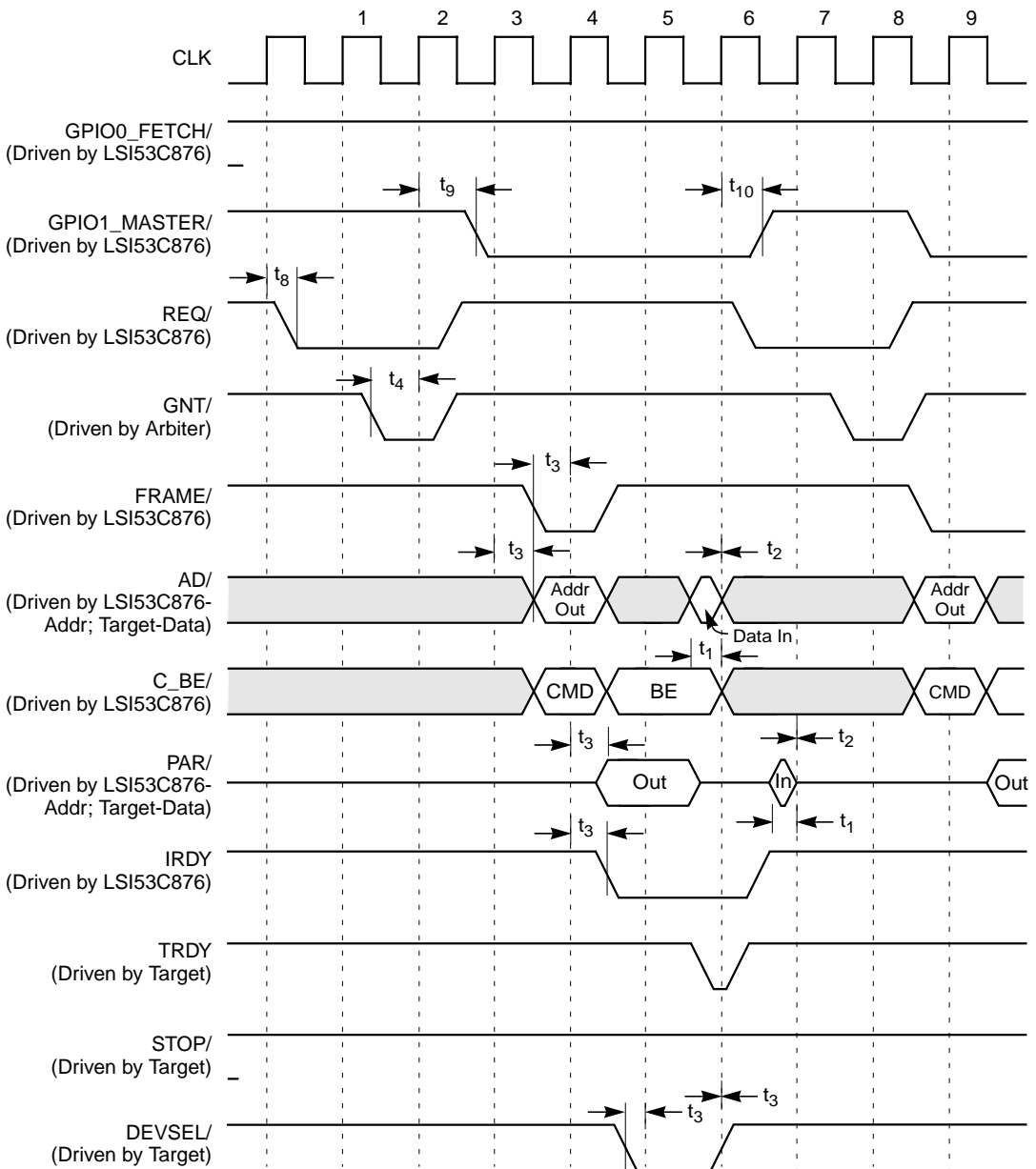
This page intentionally left blank.

**Table 6.35 Burst Read**

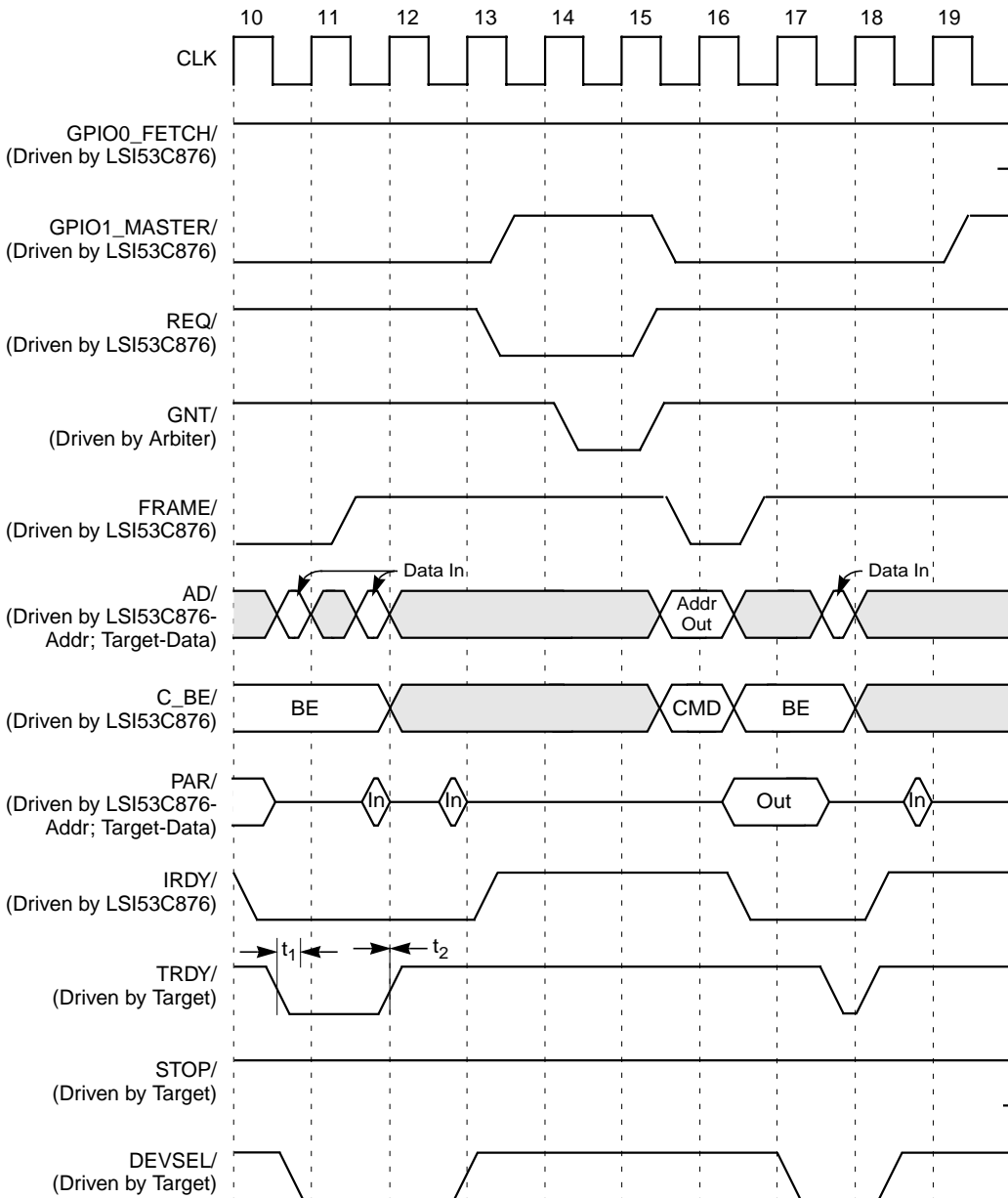
<b>Symbol</b>	<b>Parameter<sup>1</sup></b>	<b>Min</b>	<b>Max</b>	<b>Unit</b>
t <sub>1</sub>	Shared signal input setup time	7	–	ns
t <sub>2</sub>	Shared signal input hold time	0	–	ns
t <sub>3</sub>	CLK to shared signal output valid	–	11	ns
t <sub>4</sub>	Side signal input setup time	10	–	ns
t <sub>5</sub>	Side signal input hold time	0	–	ns
t <sub>6</sub>	CLK to side signal output valid	–	12	ns
t <sub>9</sub>	CLK high to MASTER/ low	–	20	ns
t <sub>10</sub>	CLK high to MASTER/ high	–	20	ns

1. See note on page 6-16 regarding 3.3 V PCI Timing Changes.

**Figure 6.19 Burst Read**



**Figure 6.19 Burst Read (Cont.)**



This page intentionally left blank.

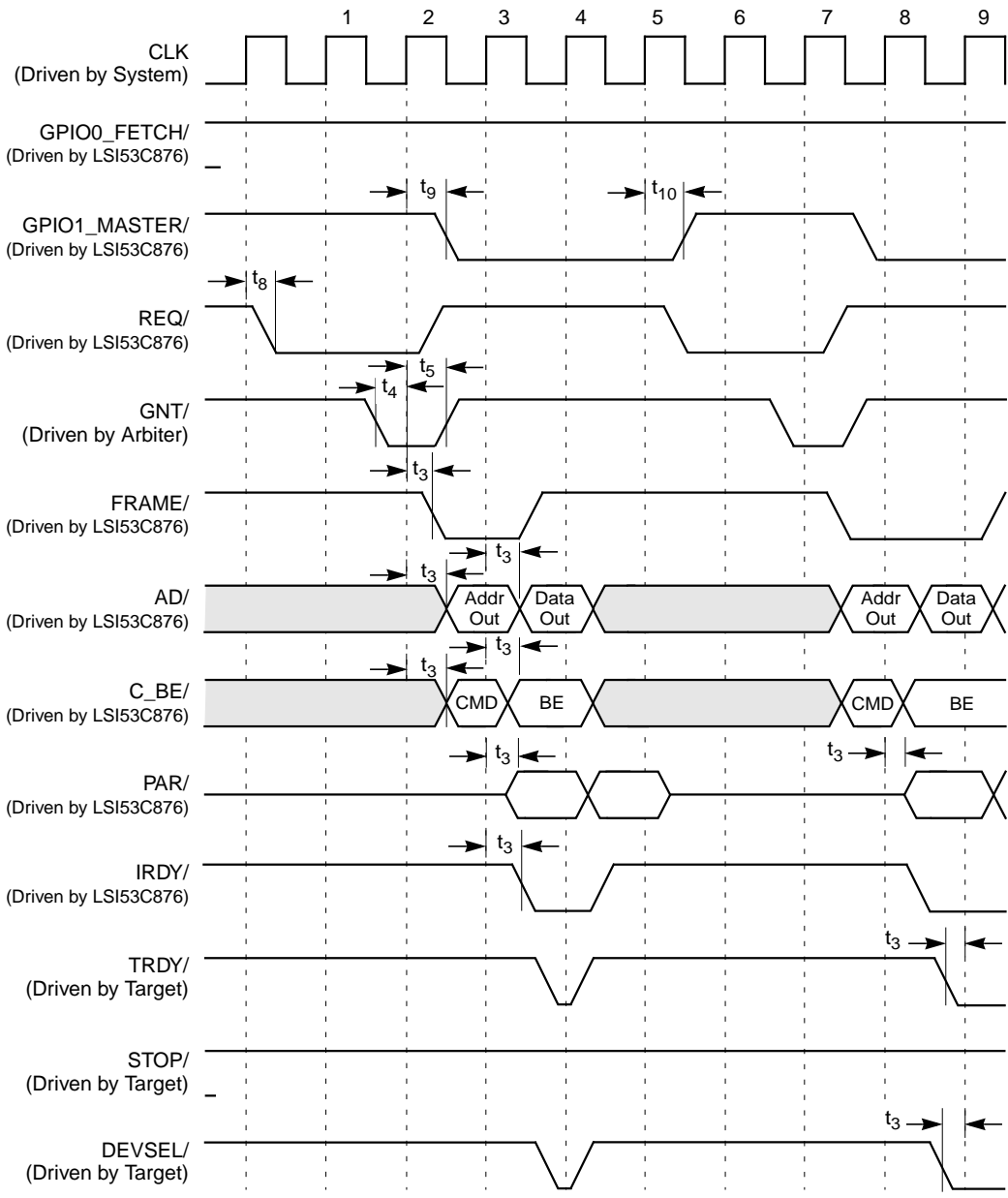


**Table 6.36 Burst Write**

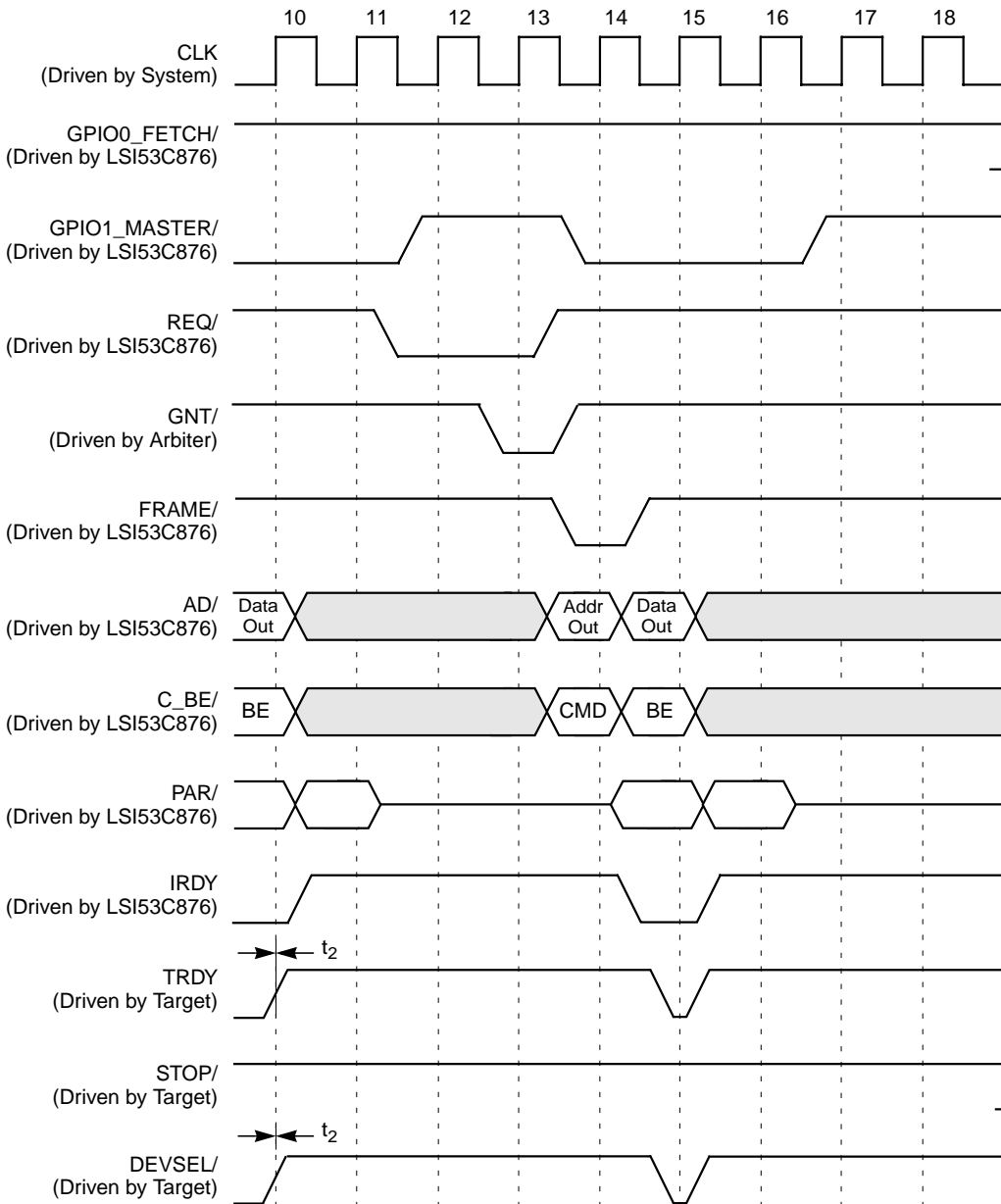
<b>Symbol</b>	<b>Parameter<sup>1</sup></b>	<b>Min</b>	<b>Max</b>	<b>Unit</b>
t <sub>1</sub>	Shared signal input setup time	7	–	ns
t <sub>2</sub>	Shared signal input hold time	0	–	ns
t <sub>3</sub>	CLK to shared signal output valid	–	11	ns
t <sub>4</sub>	Side signal input setup time	10	–	ns
t <sub>5</sub>	Side signal input hold time	0	–	ns
t <sub>6</sub>	CLK to side signal output valid	–	12	ns
t <sub>9</sub>	CLK high to MASTER/ low	–	20	ns
t <sub>10</sub>	CLK high to MASTER/ high	–	20	ns

1. See note on page 6-16 regarding 3.3 V PCI Timing Changes.

**Figure 6.20 Burst Write**



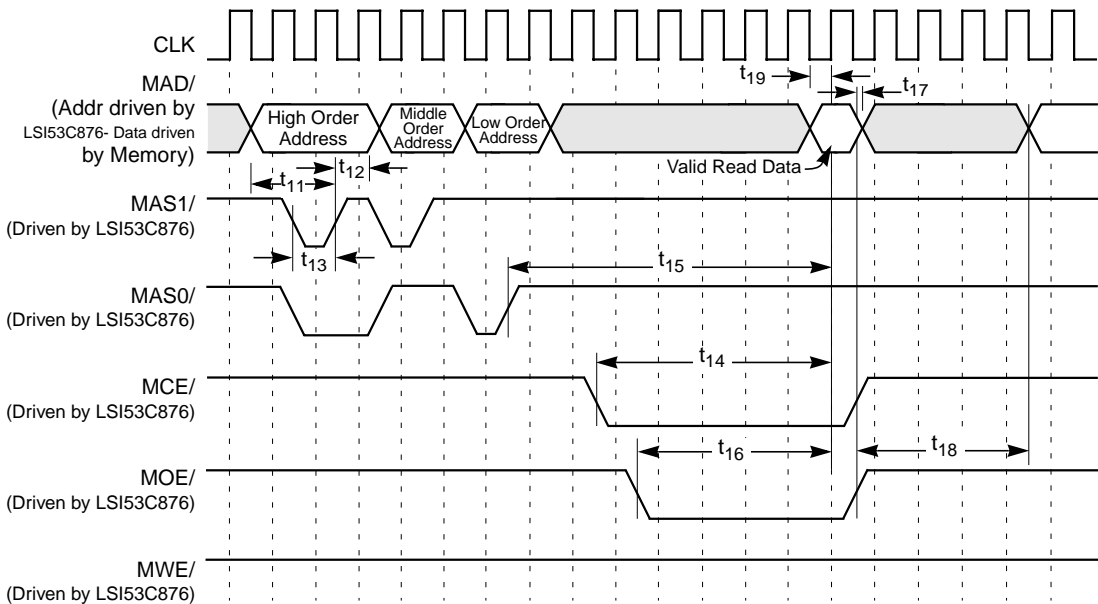
**Figure 6.20 Burst Write (Cont.)**



**Table 6.37 Read Cycle, Normal/Fast Memory ( $\geq 128$  Kbytes), Single Byte Access**

Symbol	Parameter	Min	Max	Unit
$t_{11}$	Address setup to MAS/ high	25	–	ns
$t_{12}$	Address hold from MAS/ high	15	–	ns
$t_{13}$	MAS/ pulse width	25	–	ns
$t_{14}$	MCE/ low to data clocked in	160	–	ns
$t_{15}$	Address valid to data clocked in	205	–	ns
$t_{16}$	MOE/ low to data clocked in	100	–	ns
$t_{17}$	Data hold from address, MOE/, MCE/ change	0	–	ns
$t_{18}$	Address out from MOE/, MCE/ high	50	–	ns
$t_{19}$	Data setup to CLK high	5	–	ns

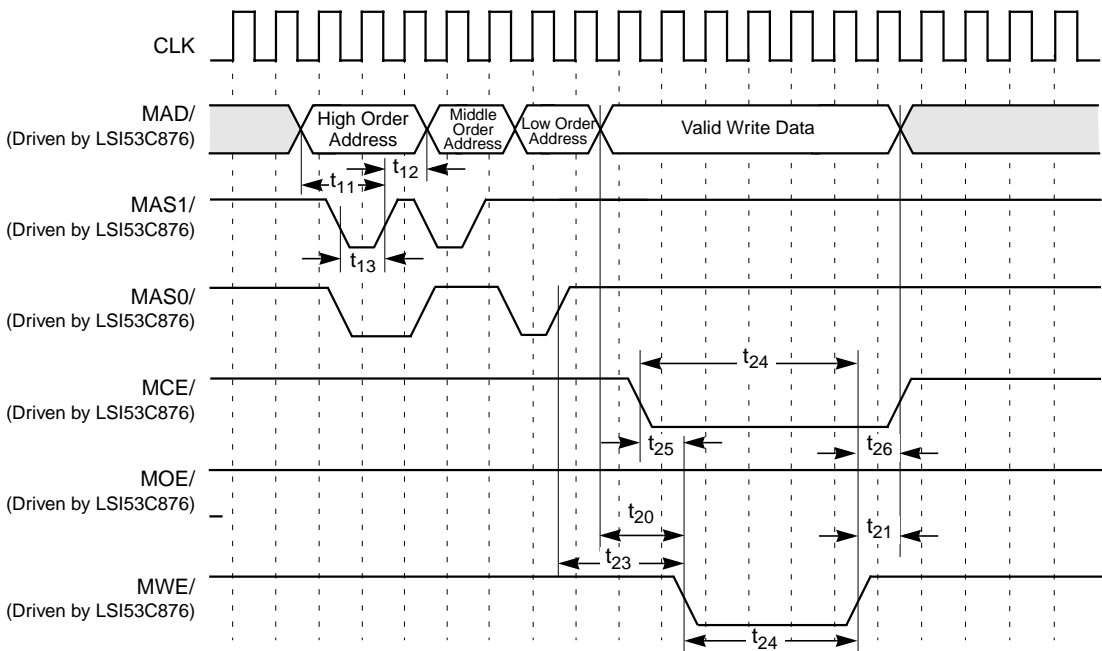
**Figure 6.21 Read Cycle, Normal/Fast Memory ( $\geq 128$  Kbytes), Single Byte Access**



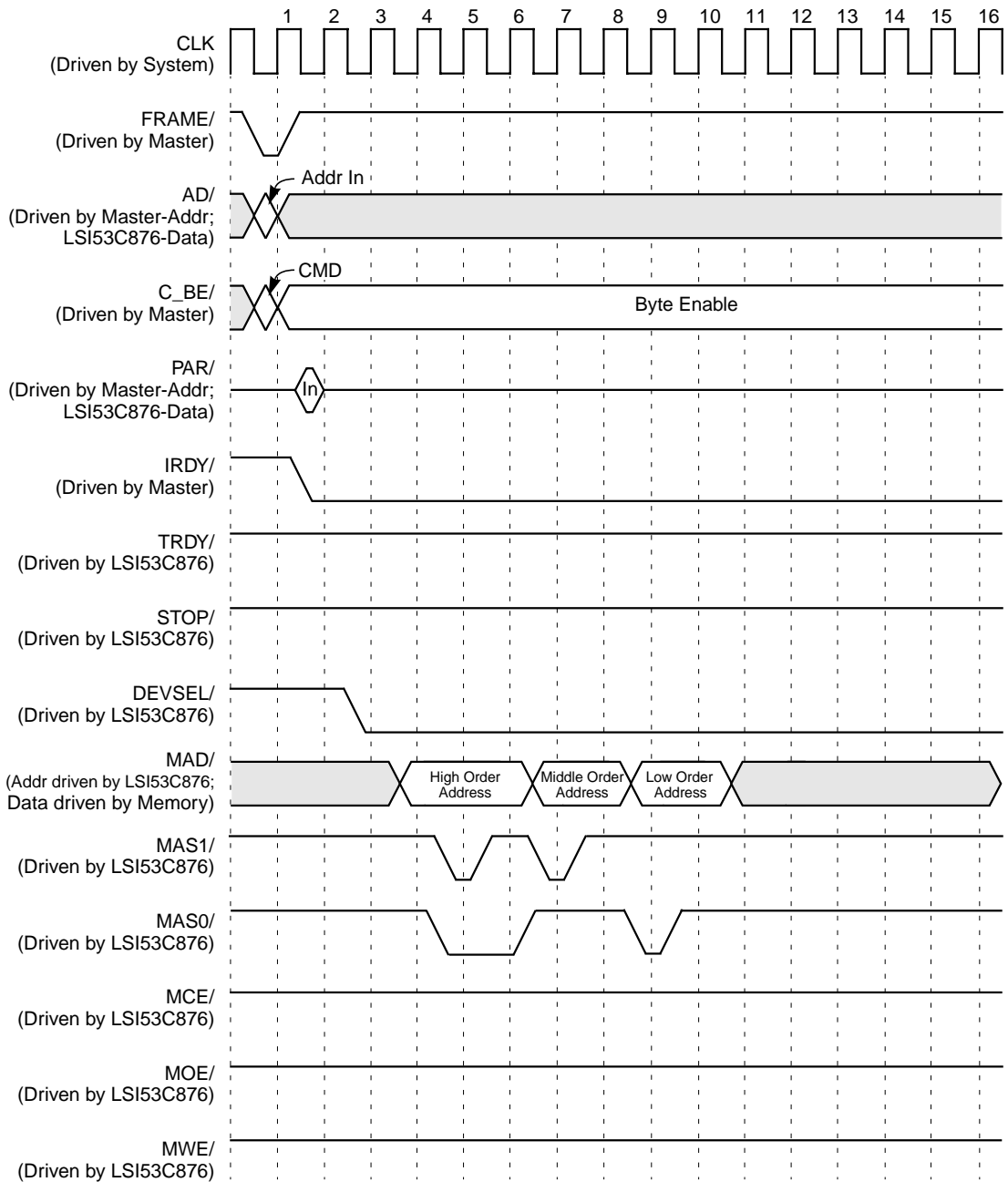
**Table 6.38 Write Cycle, Normal/Fast Memory ( $\geq 128$  Kbytes), Single Byte Access**

Symbol	Parameter	Min	Max	Unit
$t_{11}$	Address setup to MAS/ high	25	–	ns
$t_{12}$	Address hold from MAS/ high	15	–	ns
$t_{13}$	MAS/ pulse width	25	–	ns
$t_{20}$	Data setup to MWE/ low	30	–	ns
$t_{21}$	Data hold from MWE/ high	20	–	ns
$t_{22}$	MWE/ pulse width	100	–	ns
$t_{23}$	Address setup to MWE/ low	75	–	ns
$t_{24}$	MCE/ low to MWE/ high	120	–	ns
$t_{25}$	MCE/ low to MWE/ low	25	–	ns
$t_{26}$	MWE/ high to MCE/ high	25	–	ns

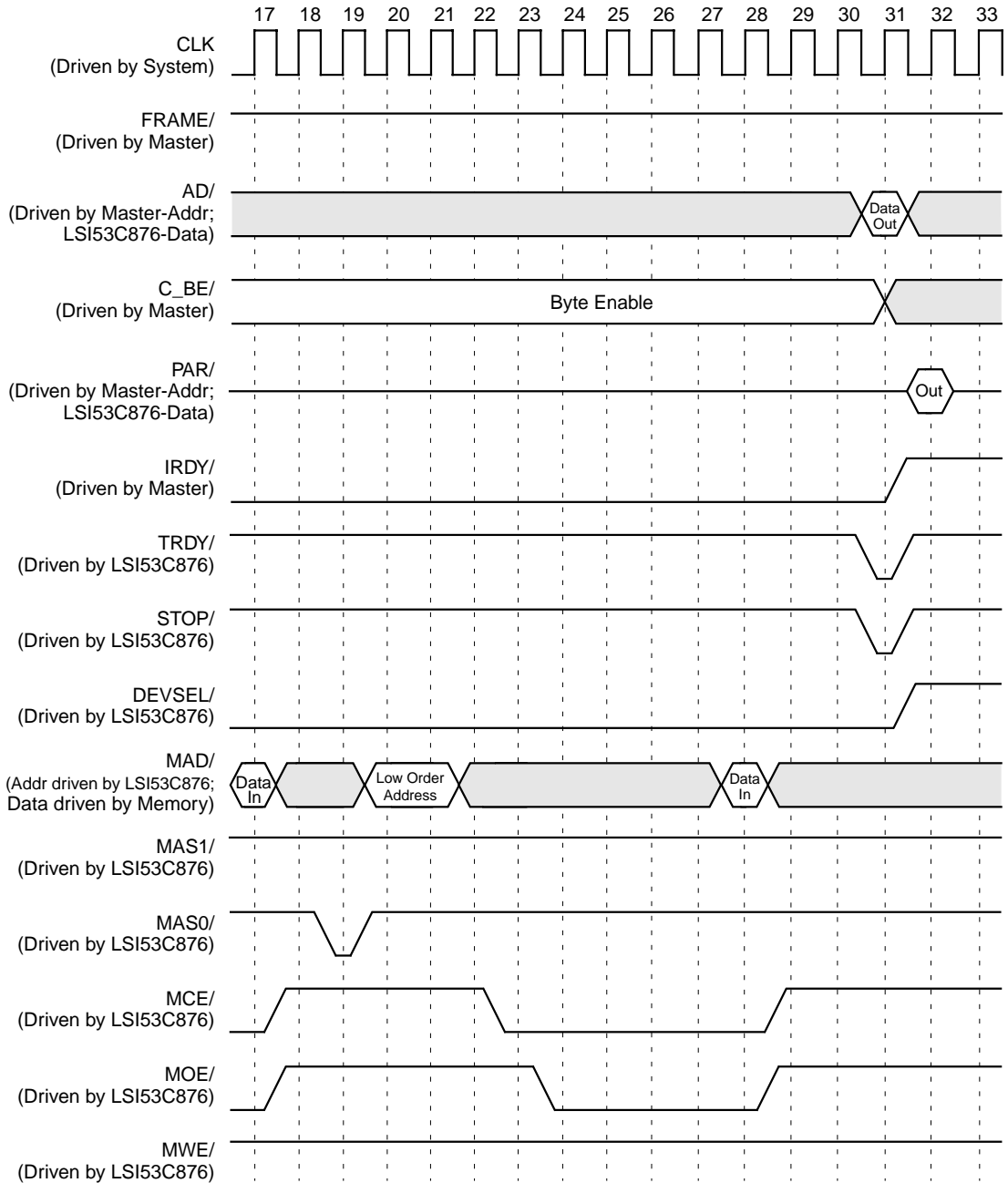
**Figure 6.22 Write Cycle, Normal/Fast Memory ( $\geq 128$  Kbytes), Single Byte Access**



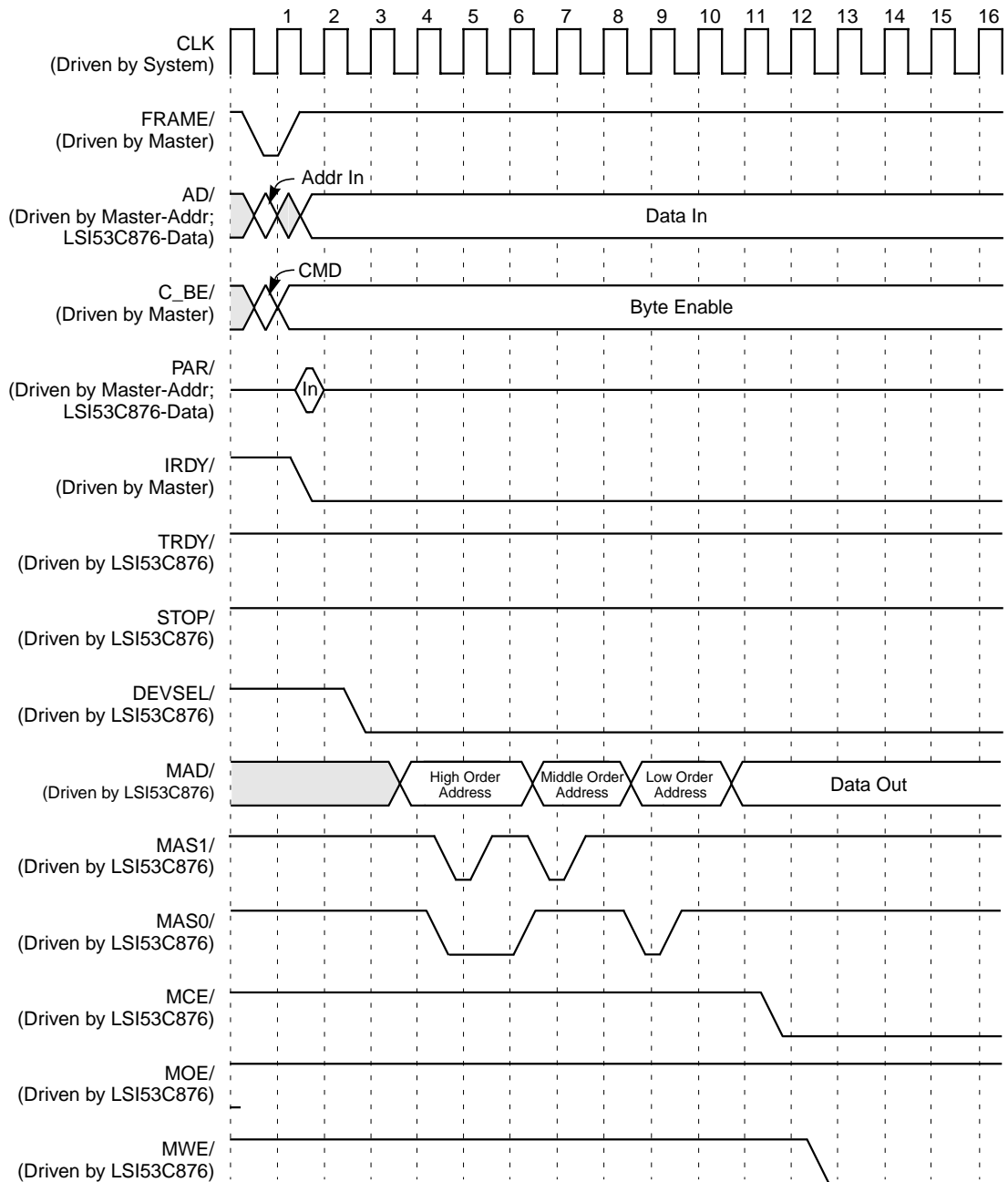
**Figure 6.23 Read Cycle, Normal/Fast Memory ( $\geq 128$  Kbyte), Multiple Byte Access**



**Figure 6.23 Read Cycle, Normal/Fast Memory ( $\geq 128$  Kbyte), Multiple Byte Access (Cont.)**

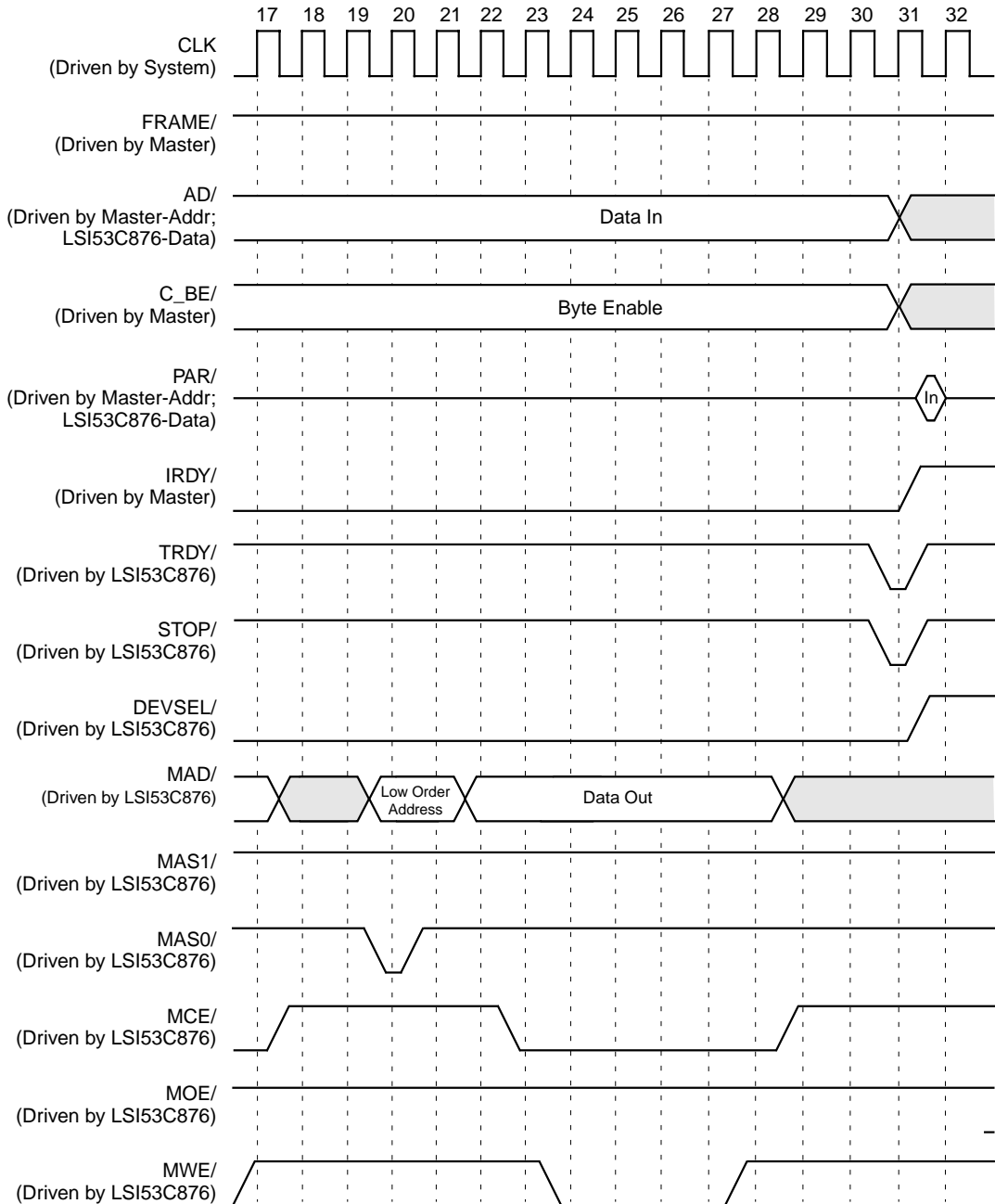


**Figure 6.24 Write Cycle, Normal/Fast Memory ( $\geq 128$  Kbyte), Multiple Byte Access**





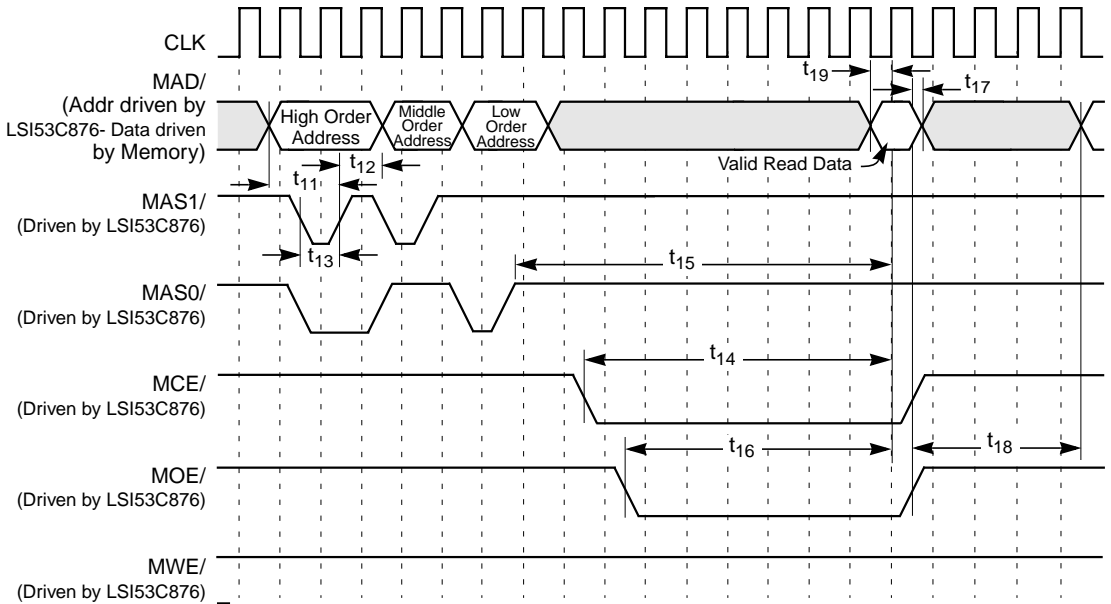
**Figure 6.24 Write Cycle, Normal/Fast Memory ( $\geq 128$  Kbyte), Multiple Byte Access (Cont.)**



**Table 6.39 Read Cycle, Slow Memory ( $\geq 128$  Kbytes)**

Symbol	Parameter	Min	Max	Unit
$t_{11}$	Address setup to MAS/ high	25	–	ns
$t_{12}$	Address hold from MAS/ high	15	–	ns
$t_{13}$	MAS/ pulse width	25	–	ns
$t_{14}$	MCE/ low to data clocked in	160	–	ns
$t_{15}$	Address valid to data clocked in	205	–	ns
$t_{16}$	MOE/ low to data clocked in	100	–	ns
$t_{17}$	Data hold from address, MOE/, MCE/ change	0	–	ns
$t_{18}$	Address out from MOE/, MCE/ high	50	–	ns
$t_{19}$	Data setup to CLK high	5	–	ns

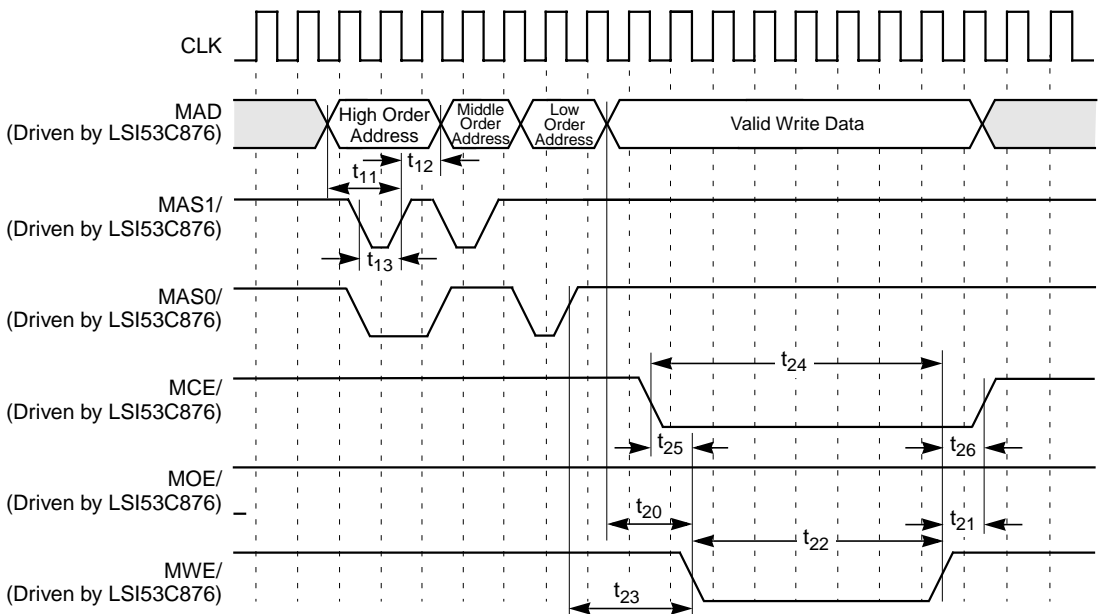
**Figure 6.25 Read Cycle, Slow Memory ( $\geq 128$  Kbytes)**



**Table 6.40 Write Cycle, Slow Memory ( $\geq 128$  Kbytes)**

Symbol	Parameter	Min	Max	Unit
$t_{11}$	Address setup to MAS/ high	25	–	ns
$t_{12}$	Address hold from MAS/ high	15	–	ns
$t_{13}$	MAS/ pulse width	25	–	ns
$t_{20}$	Data setup to MWE/ low	30	–	ns
$t_{21}$	Data hold from MWE/ high	20	–	ns
$t_{22}$	MWE/ pulse width	100	–	ns
$t_{23}$	Address setup to MWE/ low	75	–	ns
$t_{24}$	MCE/ low to MWE/ high	120	–	ns
$t_{25}$	MCE/ low to MWE/ low	25	–	ns
$t_{26}$	MWE/ high to MCE/ high	25	–	ns

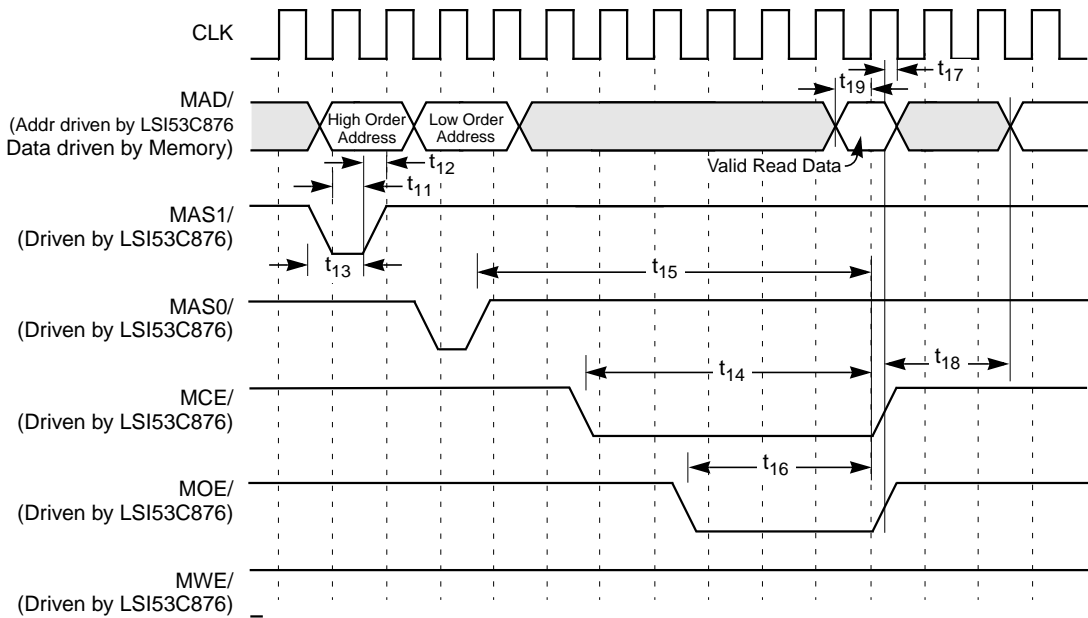
**Figure 6.26 Write Cycle, Slow Memory ( $\geq 128$  Kbytes)**



**Figure 6.27 Read Cycle, 16 Kbytes ROM**

Symbol	Parameter	Min	Max	Unit
$t_{11}$	Address setup to MAS/ high	25	–	ns
$t_{12}$	Address hold from MAS/ high	15	–	ns
$t_{13}$	MAS/ pulse width	25	–	ns
$t_{14}$	MCE/ low to data clocked in	160	–	ns
$t_{15}$	Address valid to data clocked in	205	–	ns
$t_{16}$	MOE/ low to data clocked in	100	–	ns
$t_{17}$	Data hold from address, MOE/, MCE/ change	0	–	ns
$t_{18}$	Address out from MOE/, MCE/ high	50	–	ns
$t_{19}$	Data setup to CLK high	5	–	ns

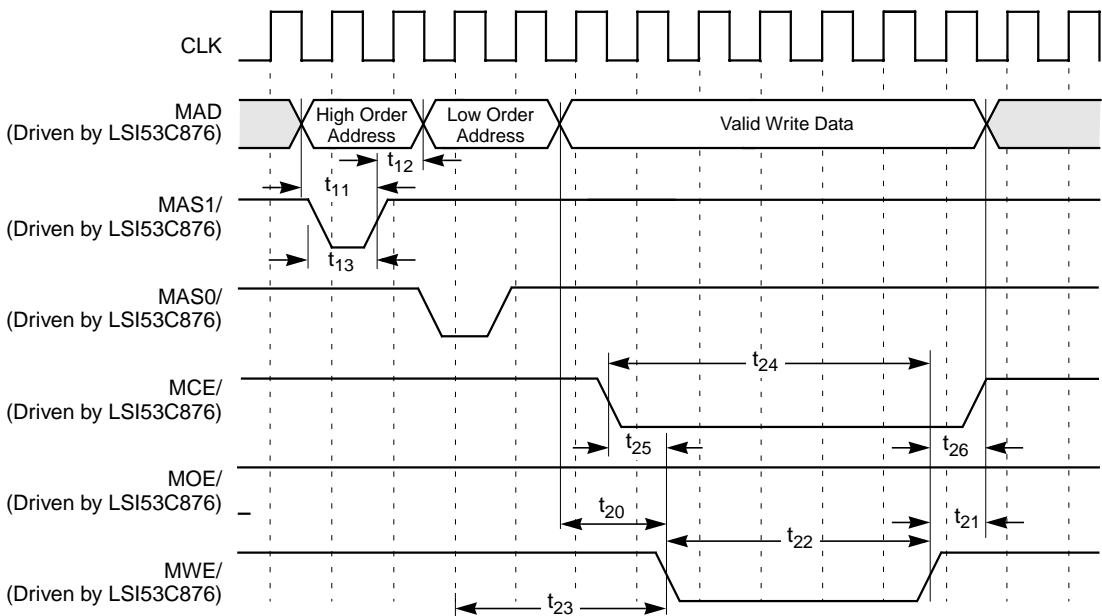
**Figure 6.28 Read Cycle, 16 Kbytes ROM**



**Table 6.41 Write Cycle, 16 Kbytes ROM**

Symbol	Parameter	Min	Max	Unit
$t_{11}$	Address setup to MAS/ high	25	–	ns
$t_{12}$	Address hold from MAS/ high	15	–	ns
$t_{13}$	MAS/ pulse width	25	–	ns
$t_{20}$	Data setup to MWE/ low	30	–	ns
$t_{21}$	Data hold from MWE/ high	20	–	ns
$t_{22}$	MWE/ pulse width	100	–	ns
$t_{23}$	Address setup to MWE/ low	75	–	ns
$t_{24}$	MCE/low to MWE/ high	120	–	ns
$t_{25}$	MCE/low to MWE/ low	25	–	ns
$t_{26}$	MWE/high to MCE/ high	25	–	–

**Figure 6.29 Write Cycle, 16 Kbytes ROM**



## 6.4.2 PCI and External Memory Interface Timing

Table 6.42 lists the PCI and External Memory Interface timing data.

**Table 6.42 LSI53C876 PCI and External Memory Interface Timing**

Symbol	Parameter	Min	Max	Unit
t <sub>1</sub>	Shared signal input setup time	7	–	ns
t <sub>2</sub>	Shared signal input hold time	0	–	ns
t <sub>3</sub>	CLK to shared signal output valid	–	11	ns
t <sub>4</sub>	Side signal input setup time	10	–	ns
t <sub>5</sub>	Side signal input hold time	0	–	ns
t <sub>6</sub>	CLK to side signal output valid	–	12	ns
t <sub>7</sub>	CLK high to FETCH/ low	–	20	ns
t <sub>8</sub>	CLK high to FETCH/ high	–	20	ns
t <sub>9</sub>	CLK high to MASTER/ low	–	20	ns
t <sub>10</sub>	CLK high to MASTER/ high	–	20	ns
t <sub>11</sub>	Address setup to MAS/ high	25	–	ns
t <sub>12</sub>	Address hold from MAS/ high	15	–	ns
t <sub>13</sub>	MAS/ pulse width	25	–	ns
t <sub>14</sub>	MCE/ low to data clocked in	160	–	ns
t <sub>15</sub>	Address valid to data clocked in	205	–	ns
t <sub>16</sub>	MOE/ low to data clocked in	100	–	ns
t <sub>17</sub>	Data hold from address, MOE/, MCE/ change	0	–	ns
t <sub>18</sub>	Address out from MOE/, MCE/ high	50	–	ns
t <sub>19</sub>	Data setup to CLK high	5	–	ns
t <sub>20</sub>	Data setup to MWE/ low	30	–	ns
t <sub>21</sub>	Data hold from MWE/ high	20	–	ns
t <sub>22</sub>	MWE/ pulse width	100	–	ns
t <sub>23</sub>	Address setup to MWE/ low	75	–	ns
t <sub>24</sub>	MCE/ low to MWE/ high	120	–	ns
t <sub>25</sub>	MCE/ low to MWE/ low	25	–	ns
t <sub>26</sub>	MWE/ high to MCE/ high	25	–	ns

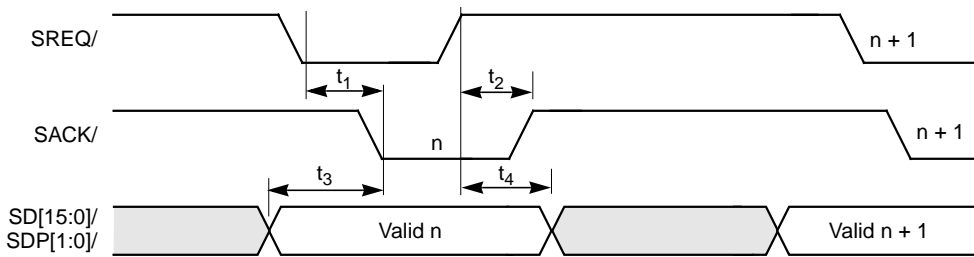
### 6.4.3 SCSI Interface Timing

Table 6.43 through Table 6.49 and Figure 6.30 through Figure 6.34 describe the LSI53C876 SCSI timing data.

**Table 6.43 Initiator Asynchronous Send**

Symbol	Parameter	Min	Max	Unit
$t_1$	SACK/ asserted from SREQ/ asserted	5	–	ns
$t_2$	SACK/ deasserted from SREQ/ deasserted	5	–	ns
$t_3$	Data setup to SACK/ asserted	55	–	ns
$t_4$	Data hold from SREQ/ deasserted	20	–	ns

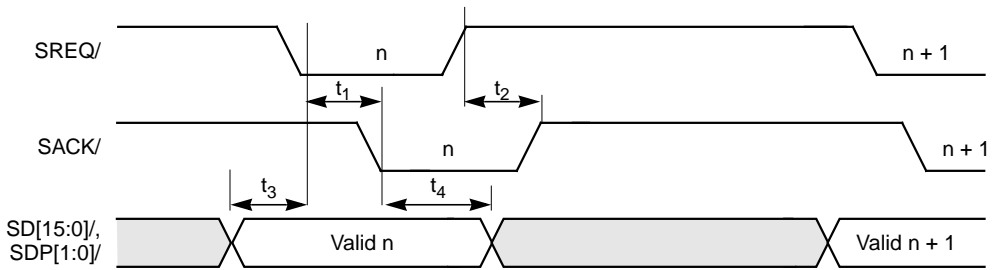
**Figure 6.30 Initiator Asynchronous Send**



**Table 6.44 Initiator Asynchronous Receive**

Symbol	Parameter	Min	Max	Unit
$t_1$	SACK/ asserted from SREQ/ asserted	5	–	ns
$t_2$	SACK/ deasserted from SREQ/ deasserted	5	–	ns
$t_3$	Data setup to SREQ/ asserted	0	–	ns
$t_4$	Data hold from SACK/ asserted	0	–	ns

**Figure 6.31 Initiator Asynchronous Receive**

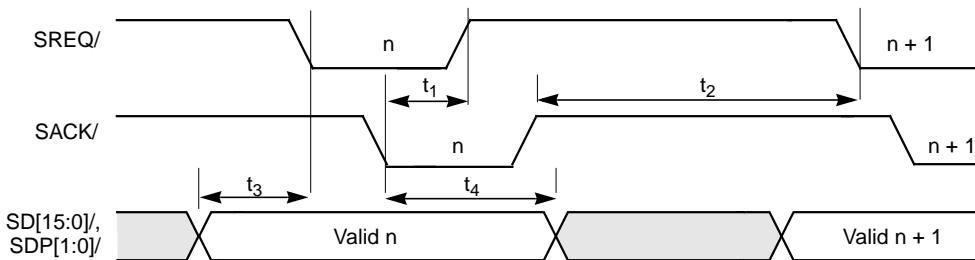




**Table 6.45 Target Asynchronous Send**

Symbol	Parameter	Min	Max	Unit
$t_1$	SREQ/ deasserted from SACK/ asserted	5	–	ns
$t_2$	SREQ/ asserted from SACK/ deasserted	5	–	ns
$t_3$	Data setup to SREQ/ asserted	55	–	ns
$t_4$	Data hold from SACK/ asserted	20	–	ns

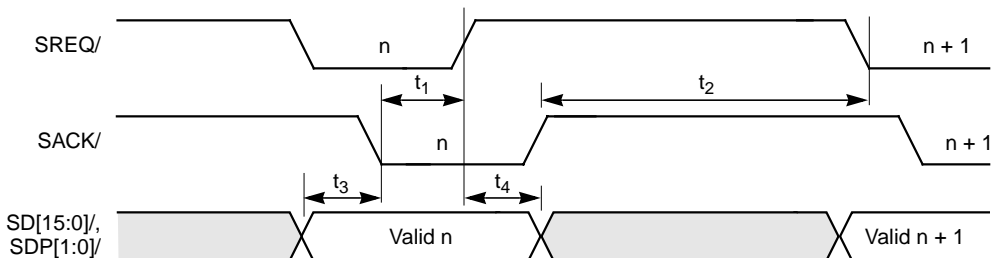
**Figure 6.32 Target Asynchronous Send**



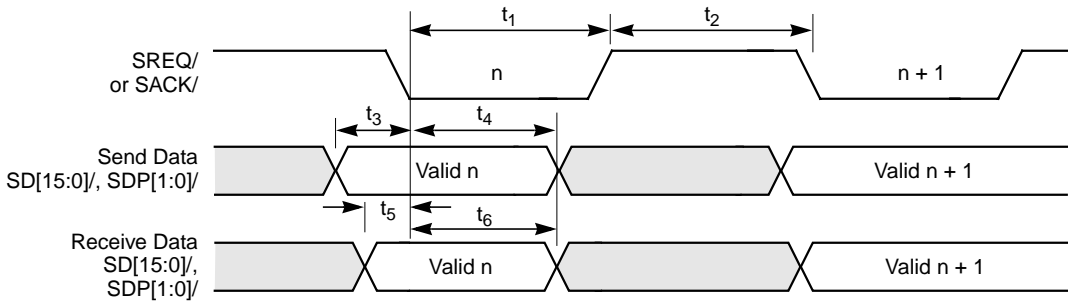
**Table 6.46 Target Asynchronous Receive**

Symbol	Parameter	Min	Max	Unit
$t_1$	SREQ/ deasserted from SACK/ asserted	5	–	ns
$t_2$	SREQ/ asserted from SACK/ deasserted	5	–	ns
$t_3$	Data setup to SACK/ asserted	0	–	ns
$t_4$	Data hold from SREQ/ deasserted	0	–	ns

**Figure 6.33 Target Asynchronous Receive**



**Figure 6.34 Initiator and Target Synchronous Transfers**



**Table 6.47 SCSI-1 Transfers (SE, 5.0 Mbytes/s)**

Symbol	Parameter	Min	Max	Unit
$t_1$	Send SREQ/ or SACK/ assertion pulse width	90	–	ns
$t_2$	Send SREQ/ or SACK/ deassertion pulse width	90	–	ns
$t_1$	Receive SREQ/ or SACK/ assertion pulse width	90	–	ns
$t_2$	Receive SREQ/ or SACK/ deassertion pulse width	90	–	ns
$t_3$	Send data setup to SREQ/ or SACK/ asserted	55	–	ns
$t_4$	Send data hold from SREQ/ or SACK/ asserted	100	–	ns
$t_5$	Receive data setup to SREQ/ or SACK/ asserted	0	–	ns
$t_6$	Receive data hold from SREQ/ or SACK/ asserted	45	–	ns

**Table 6.48 SCSI-2 Fast Transfers (10.0 Mbytes/s (8-Bit Transfers) or 20.0 Mbytes/s (16-Bit Transfers), 40 MHz Clock**

Symbol	Parameter	Min	Max	Unit
t <sub>1</sub>	Send SREQ/ or SACK/ assertion pulse width	35	–	ns
t <sub>2</sub>	Send SREQ/ or SACK/ deassertion pulse width	35	–	ns
t <sub>1</sub>	Receive SREQ/ or SACK/ assertion pulse width	20	–	ns
t <sub>2</sub>	Receive SREQ/ or SACK/ deassertion pulse width	20	–	ns
t <sub>3</sub>	Send data setup to SREQ/ or SACK/ asserted	33	–	ns
t <sub>4</sub>	Send data hold from SREQ/ or SACK/ asserted	45	–	ns
t <sub>5</sub>	Receive data setup to SREQ/ or SACK/ asserted	0	–	ns
t <sub>6</sub>	Receive data hold from SREQ/ or SACK/ asserted	10	–	ns

**Table 6.49 SCSI-2 Fast-20 SE Transfers (20.0 Mbytes/s (8-Bit Transfers) or 40.0 Mbytes/s (16-Bit Transfers), 80 MHz Clock) with Clock Doubled Internally**

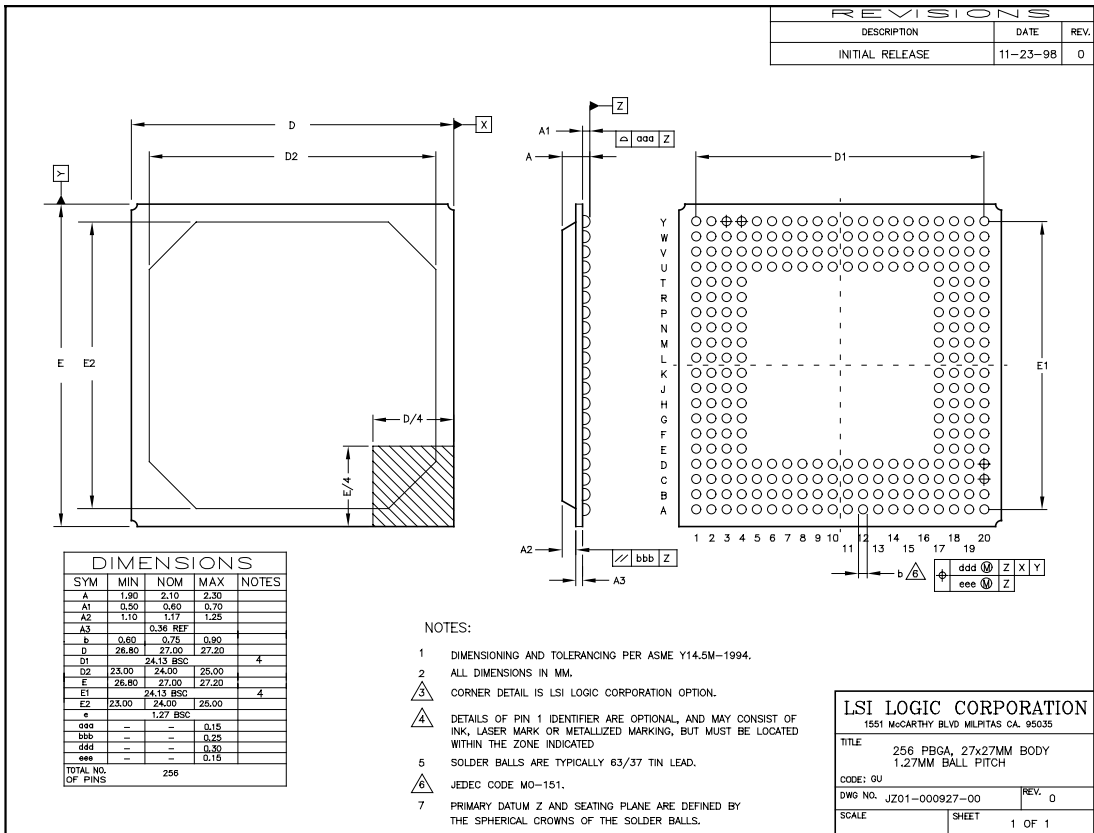
Symbol	Parameter	Min	Max	Unit
t <sub>1</sub>	Send SREQ/ or SACK/ assertion pulse width	16	–	ns
t <sub>2</sub>	Send SREQ/ or SACK/ deassertion pulse width	16	–	ns
t <sub>1</sub>	Receive SREQ/ or SACK/ assertion pulse width	10	–	ns
t <sub>2</sub>	Receive SREQ/ or SACK/ deassertion pulse width	10	–	ns
t <sub>3</sub>	Send data setup to SREQ/ or SACK/ asserted	12	–	ns
t <sub>4</sub>	Send data hold from SREQ/ or SACK/ asserted	17	–	ns
t <sub>5</sub>	Receive data setup to SREQ/ or SACK/ asserted	0	–	ns
t <sub>6</sub>	Receive data hold from SREQ/ or SACK/ asserted	6	–	ns

---

## 6.5 Package Diagrams

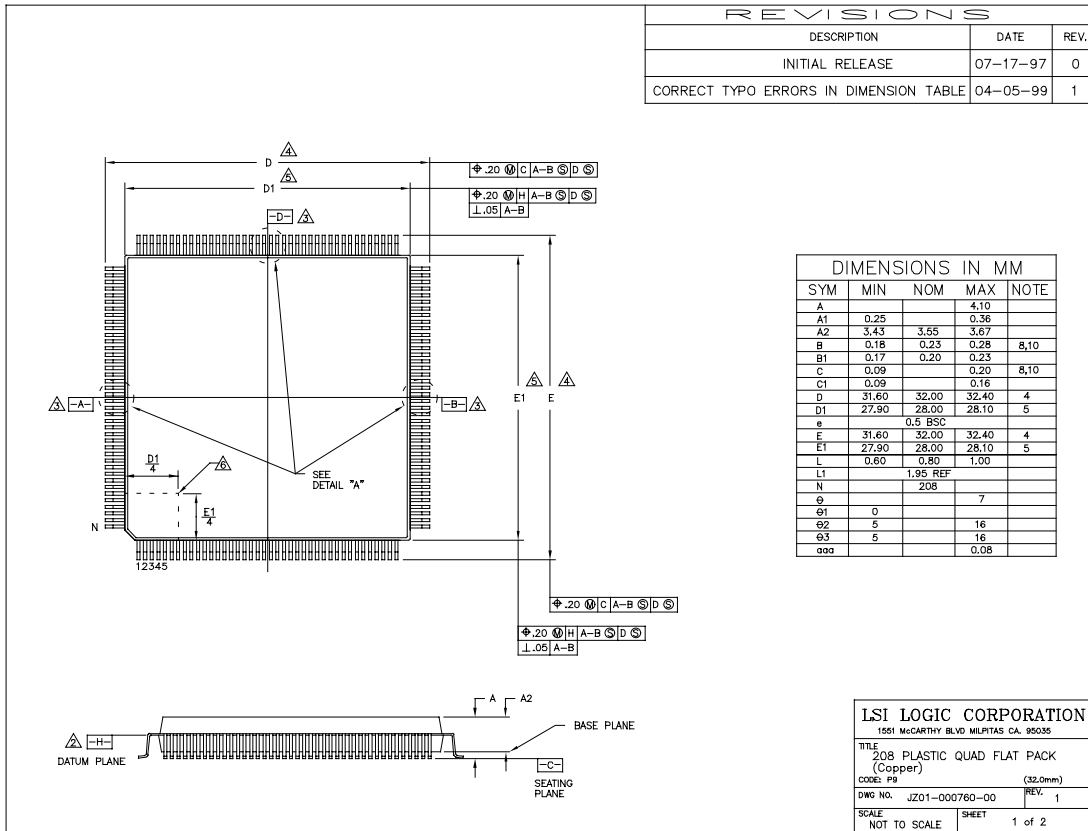
[Figure 6.35](#) is the 256-pin PBGA mechanical drawing and [Figure 6.36](#) is the 208-pin PQFP mechanical drawing for the LSI53C876.

**Figure 6.35 256-pin PBGA (GU) Mechanical Drawing**



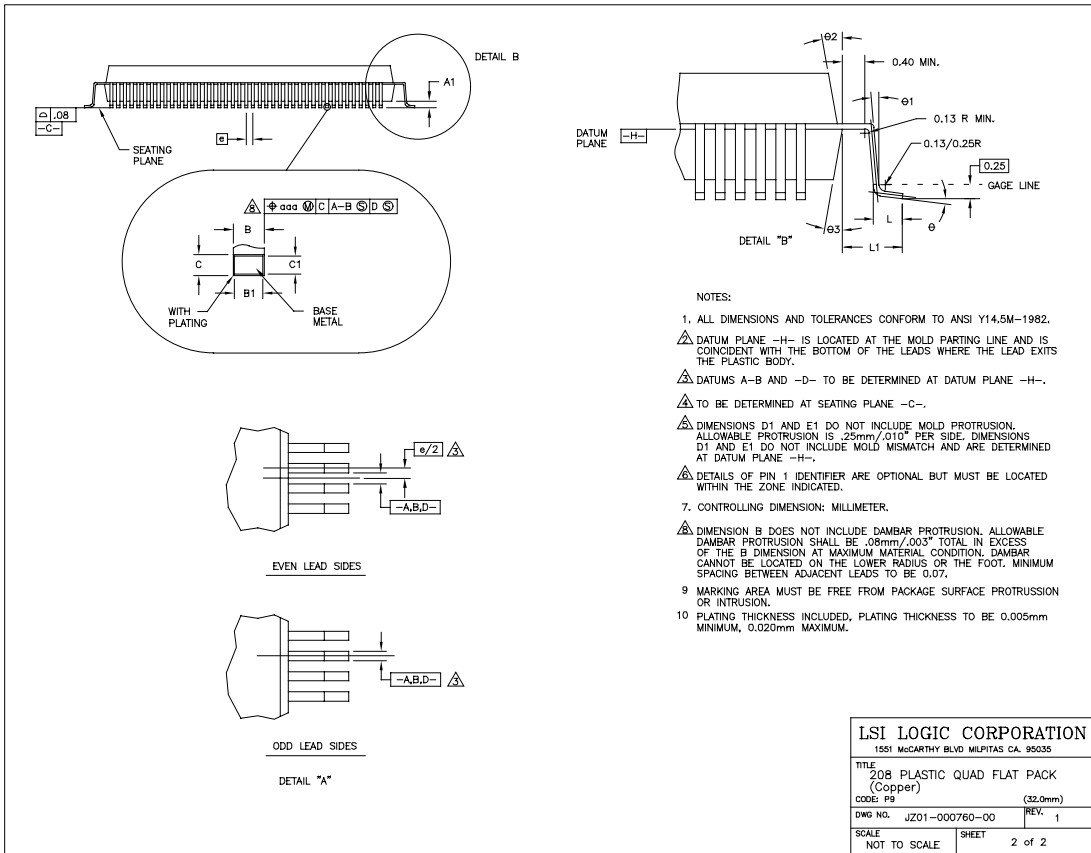
**Important:** This drawing may not be the latest version. For board layout and manufacturing, obtain the most recent engineering drawings from your LSI Logic marketing representative by requesting the outline drawing for package code GU.

**Figure 6.36 208-pin PQFP (P9) Mechanical Drawing (Sheet 1 of 2)**



**Important:** This drawing may not be the latest version. For board layout and manufacturing, obtain the most recent engineering drawings from your LSI Logic marketing representative by requesting the outline drawing for package code P9.

**Figure 6.36 208-pin PQFP (P9) Mechanical Drawing (Sheet 2 of 2)**



**Important:** This drawing may not be the latest version. For board layout and manufacturing, obtain the most recent engineering drawings from your LSI Logic marketing representative by requesting the outline drawing for package code P9.





# Appendix A

## Register Summary

Table A.1 lists the LSI53C876 configuration registers by register name.

**Table A.1 Configuration Registers**

Register Name	Address	Read/Write	Page
Base Address Register One (Memory)	0x14	Read/Write	4-10
Base Address Register Two (Memory)	0x18	Read/Write	4-10
Base Address Register Zero (I/O)	0x10	Read/Write	4-9
BIST	0x0F	Read Only	4-9
Cache Line Size	0x0C	Read/Write	4-7
Capabilities Pointer	0x34	Read Only	4-14
Capability ID	0x40	Read Only	4-16
Class Code	0x09	Read Only	4-7
Command	0x04	Read/Write	4-3
Data	0x47	Read Only	4-20
Device ID	0x02	Read Only	4-3
Expansion ROM Base Address	0x30	Read/Write	4-13
Header Type	0x0E	Read Only	4-8
Interrupt Line	0x3C	Read/Write	4-14
Interrupt Pin	0x3D	Read Only	4-15
Latency Timer	0x0D	Read/Write	4-8
Max_Lat	0x3F	Read Only	4-16
Min_Gnt	0x3E	Read Only	4-15

**Table A.1 Configuration Registers (Cont.)**

Register Name	Address	Read/Write	Page
Next Item Pointer	0x41	Read Only	4-17
PMCSR BSE	0x46	Read Only	4-19
Power Management Capabilities	0x42	Read Only	4-17
Power Management Control/Status	0x44	Read/Write	4-18
Revision ID	0x08	Read Only	4-7
Status	0x06	Read/Write	4-5
Subsystem ID	0x2E	Read Only	4-12
Subsystem Vendor ID	0x2C	Read Only	4-11
Vendor ID	0x00	Read Only	4-3

Table A.2 lists the LSI53C876 SCSI registers by register name.

**Table A.2 SCSI Registers**

Register Name	Address	Read/Write	Page
Adder Sum Output (ADDER)	0x3C–0x3F	Read Only	4-72
Chip Test Five (CTEST5)	0x22	Read/Write	4-61
Chip Test Four (CTEST4)	0x21	Read/Write	4-59
Chip Test One (CTEST1)	0x19	Read Only	4-54
Chip Test Six (CTEST6)	0x23	Read/Write	4-62
Chip Test Three (CTEST3)	0x1B	Read/Write	4-56
Chip Test Two (CTEST2)	0x1A	Read Only	4-54
Chip Test Zero (CTEST0)	0x18	Read/Write	4-53
Data Structure Address (DSA)	0x10–0x13	Read/Write	4-49
DMA Byte Counter (DBC)	0x24–0x26	Read/Write	4-63
DMA Command (DCMD)	0x27	Read/Write	4-64
DMA Control (DCNTL)	0x3B	Read/Write	4-70

**Table A.2 SCSI Registers (Cont.)**

Register Name	Address	Read/Write	Page
DMA FIFO (DFIFO)	0x20	Read/Write	4-58
DMA Interrupt Enable (DIEN)	0x39	Read/Write	4-69
DMA Mode (DMODE)	0x38	Read/Write	4-66
DMA Next Address (DNAD)	0x28–0x2B	Read/Write	4-64
DMA SCRIPTS Pointer (DSP)	0x2C–0x2F	Read/Write	4-64
DMA SCRIPTS Pointer Save (DSPS)	0x30–0x33	Read/Write	4-65
DMA Status (DSTAT)	0x0C	Read Only	4-42
General Purpose (GPREG)	0x07	Read/Write	4-37
General Purpose Pin Control (GPCNTL)	0x47	Read/Write	4-82
Interrupt Status (ISTAT)	0x14	Read/Write	4-50
Memory Access Control (MACNTL)	0x46	Read/Write	4-82
Response ID One (RESPID1)	0x4B	Read/Write	4-86
Response ID Zero (RESPID0)	0x4A	Read/Write	4-86
Scratch Byte Register (SBR)	0x3A	Read/Write	4-70
Scratch Register A (SCRATCHA)	0x34	Read/Write	4-66
Scratch Register B (SCRATCHB)	0x5C–0x5F	Read/Write	4-96
Scratch Registers C–J (SCRATCHC–SCRATCHJ)	0x60–0x7F	Read/Write	4-96
SCSI Bus Control Lines (SBCL)	0x0B	Read Only	4-41
SCSI Bus Data Lines (SBDL)	0x58–0x59	Read Only	4-95
SCSI Chip ID (SCID)	0x04	Read/Write	4-32
SCSI Control One (SCNTL1)	0x01	Read/Write	4-25
SCSI Control Three (SCNTL3)	0x03	Read/Write	4-31
SCSI Control Two (SCNTL2)	0x02	Read/Write	4-28
SCSI Control Zero (SCNTL0)	0x00	Read/Write	4-22
SCSI Destination ID (SDID)	0x06	Read/Write	4-36

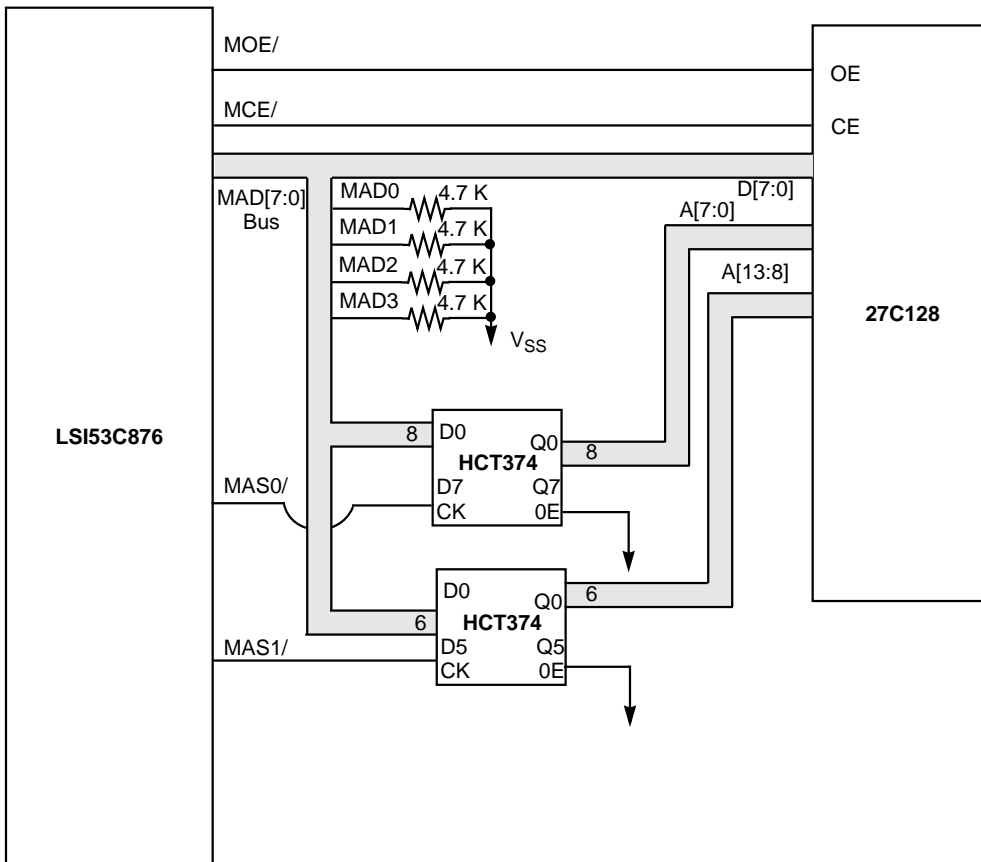
**Table A.2 SCSI Registers (Cont.)**

<b>Register Name</b>	<b>Address</b>	<b>Read/Write</b>	<b>Page</b>
SCSI First Byte Received (SFBR)	0x08	Read/Write	4-38
SCSI Input Data Latch (SIDL)	0x50–0x51	Read Only	4-94
SCSI Interrupt Enable One (SIEN1)	0x41	Read/Write	4-75
SCSI Interrupt Enable Zero (SIEN0)	0x40	Read/Write	4-73
SCSI Interrupt Status One (SIST1)	0x43	Read Only	4-79
SCSI Interrupt Status Zero (SIST0)	0x42	Read Only	4-76
SCSI Longitudinal Parity (SLPAR)	0x44	Read/Write	4-80
SCSI Output Control Latch (SOCL)	0x09	Read/Write	4-39
SCSI Output Data Latch (SODL)	0x54–0x55	Read/Write	4-95
SCSI Selector ID (SSID)	0x0A	Read Only	4-40
SCSI Status One (SSTAT1)	0x0E	Read Only	4-46
SCSI Status Two (SSTAT2)	0x0F	Read Only	4-48
SCSI Status Zero (SSTAT0)	0x0D	Read Only	4-44
SCSI Test One (STEST1)	0x4D	Read/Write	4-88
SCSI Test Three (STEST3)	0x4F	Read/Write	4-92
SCSI Test Two (STEST2)	0x4E	Read/Write	4-90
SCSI Test Zero (STEST0)	0x4C	Read Only	4-87
SCSI Timer One (STIME1)	0x49	Read/Write	4-85
SCSI Timer Zero (STIME0)	0x48	Read/Write	4-83
SCSI Transfer (SXFER)	0x05	Read/Write	4-33
SCSI Wide Residue (SWIDE)	0x45	Read/Write	4-81
Temporary (TEMP)	0x1C–0x1F	Read/Write	4-57

# Appendix B

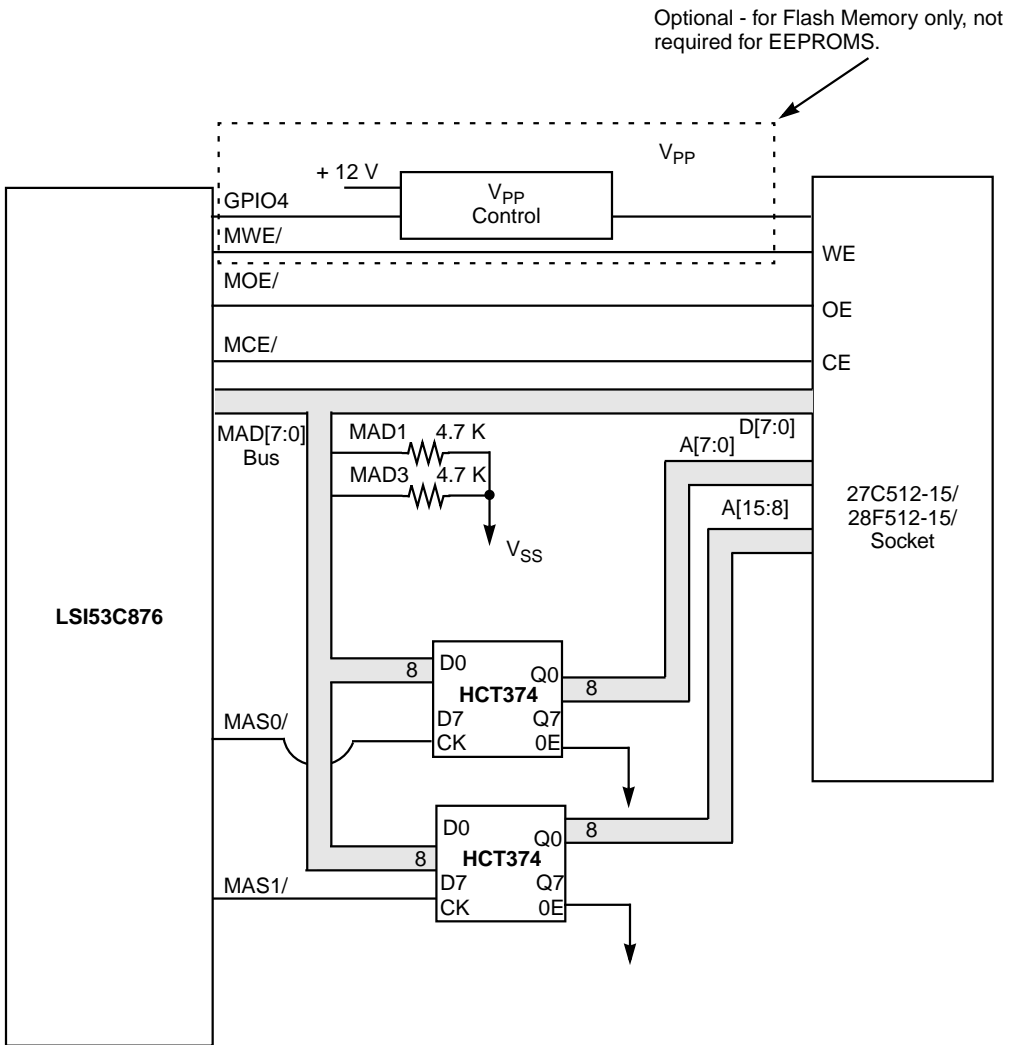
## External Memory Interface Diagram Examples

Figure B.1 64 Kbyte Interface with 200 ns Memory



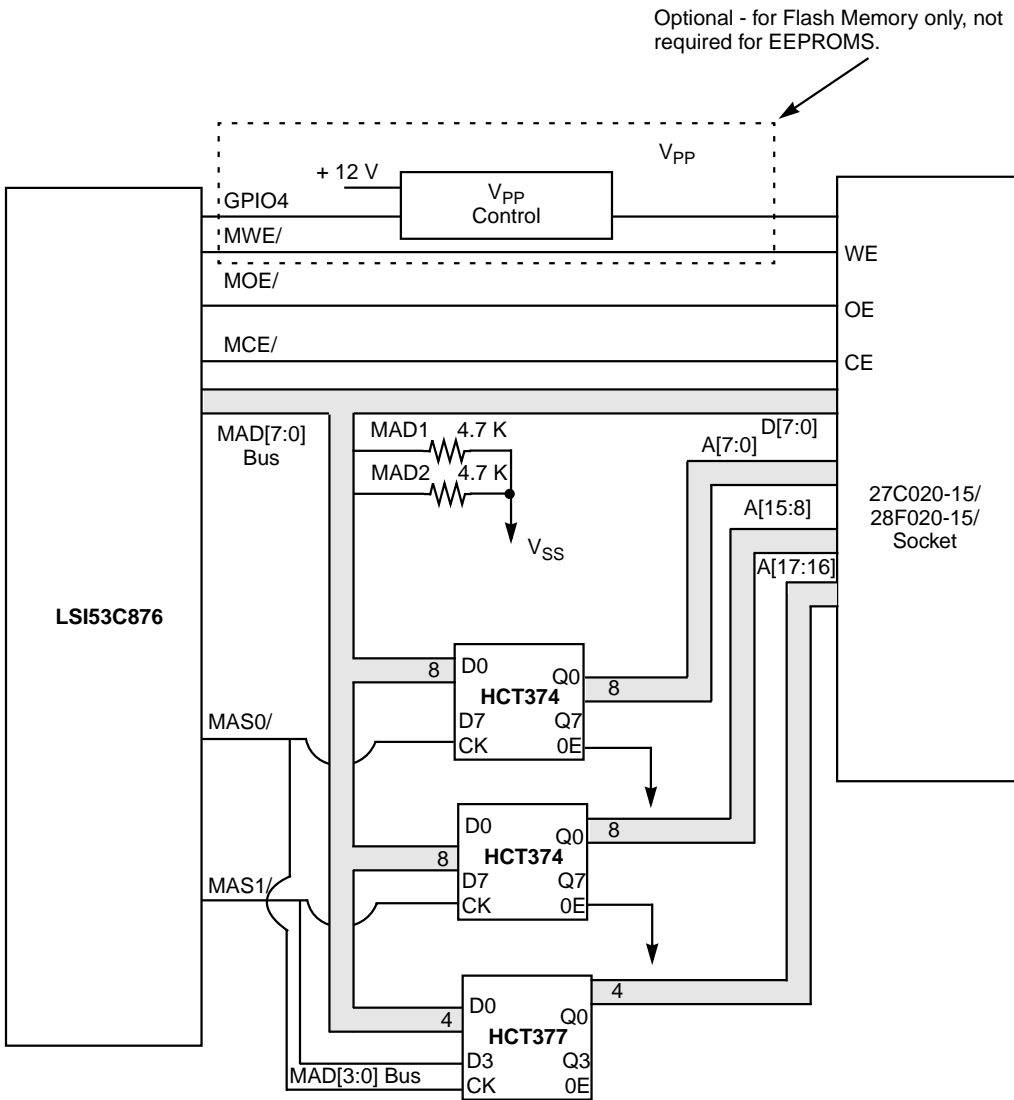
Notes: MAD bus sense logic enabled for 16 Kbytes of slow memory (200 ns device @ 33 MHz). MAD[3:1] pulled LOW internally.

**Figure B.2 64 Kbyte Interface with 150 ns Memory**



Notes: MAD bus sense logic enabled for 64 Kbytes of fast memory (150 ns device @ 33 MHz). MAD3, MAD1, and MAD0 pulled LOW internally.

**Figure B.3 256 Kbyte Interface with 150 ns Memory**



Notes: MAD bus sense logic enabled for 256 Kbytes of fast memory (150 ns device @ 33 MHz). MAD[2:0] pulled LOW internally. The HCT374s may be replaced with HCT377s.





# Index

---

## Symbols

(AD[31:0]) 3-7  
(BARO[31:0]) 4-10  
(BART[31:0]) 4-10  
(BARZ[31:0]) 4-9  
(BSE[7:0]) 4-19  
(CCF[2:0]) 2-30  
(CID[7:0]) 4-16  
(CLS[7:0]) 4-7  
(CP[7:0]) 4-14  
(DATA[7:0]) 4-20  
(ERBA[31:0]) 4-13  
(HT[7:0]) 4-8  
(IL[7:0]) 4-14  
(IP[7:0]) 4-15  
(LT[7:0]) 4-8  
(MAD[7:0]) 3-18  
(MG[7:0]) 4-15  
(ML[7:0]) 4-16  
(NIP[7:0]) 4-17  
(SID[15:0]) 4-12

## Numerics

3.3/5 V PCI interface 2-11, 2-17  
3-state 3-5  
40 MHz clock doubler 2-31

## A

abort operation bit 4-50  
aborted bit 4-43, 4-69  
AC characteristics 6-12  
    PCI and external memory interface timing 6-15  
    SCSI interface timing 6-55  
active negation  
    see TolerANT technology  
active termination 2-28  
ADDER register 4-72  
adder sum output register 4-72  
address/data bus 2-3  
address/data signals 3-7  
alignment 2-11  
always wide SCSI bit 4-91  
arbitration  
    arbitration in progress bit 4-45  
    arbitration mode bits 4-22  
    full arbitration 4-22  
    immediate arbitration bit 4-26  
    lost arbitration bit 4-45

    simple arbitration 4-22  
    won arbitration bit 4-45  
arbitration in progress bit 4-45  
arbitration mode bits 4-22  
arbitration pins 3-9  
arbitration priority encoder test bit 4-87  
ASPI 1-3  
assert even SCSI parity bit 4-26  
assert SATN/ on parity error bit 4-24  
assert SCSI ACK/ signal bit 4-39  
assert SCSI ATN/ signal bit 4-39  
assert SCSI BSY/ signal bit 4-39  
assert SCSI C\_D/ signal bit 4-39  
assert SCSI data bus bit 4-25  
assert SCSI I\_O signal bit 4-39  
assert SCSI MSG/ signal bit 4-39  
assert SCSI REQ/ signal bit 4-39  
assert SCSI RST/ signal bit 4-26  
assert SCSI SEL/ signal bit 4-39  
asynchronous SCSI receive 2-22  
asynchronous SCSI send 2-21  
autoconfiguration disable 3-21

## B

base address register  
    one (BARO[31:0]) 4-10  
    two (BART[31:0]) 4-10  
    zero - I/O (BARZ[31:0]) 4-9  
base address register one 2-4  
bidirectional 3-5  
big and little endian support 2-17  
BIOS 2-3  
BIOS ROM 1-1  
block move instructions 5-6  
bridge support extensions (BSE[7:0]) 4-19  
BSYDIR 3-16  
burst disable bit 4-59  
burst length bits 4-62, 4-66  
burst opcode fetch enable bit 4-68  
burst size selection 2-7  
bus command and byte enables 3-7  
bus fault bit 4-42, 4-69  
byte empty in DMA FIFO bit 4-54  
byte full in DMA FIFO bit 4-54  
byte offset counter bits 4-58, 4-62

## C

C\_BE/[3:0] 2-3, 3-7  
cache line size  
    (CLS[7:0]) 4-7

- cache line size enable bit [4-70](#)
- cache mode, see PCI cache mode [2-11](#)
- cap\_ID (CID[7:0]) [4-16](#)
- capabilities pointer (CP[7:0]) [4-14](#)
- chained block move SCRIPTS instruction [2-42](#)
- chained block moves [2-40](#)
  - SODL register [2-42](#)
  - SWIDE register [2-41](#)
  - wide SCSI receive bit [2-41](#)
  - wide SCSI send bit [2-41](#)
- chained mode bit [4-28](#)
- chip revision level bits [4-56](#)
- chip test five register [4-61](#)
- chip test four register [4-59](#)
- chip test one register [4-54](#)
- chip test six register [4-62](#)
- chip test two register [4-54](#)
- chip test zero register [4-53](#)
- chip type bits [4-82](#)
- CHMOV [2-40](#)
- clear DMA FIFO [2-38](#)
- clear DMA FIFO bit [4-56](#)
- clear SCSI FIFO bit [4-93](#)
- CLF [2-38](#)
- CLK [3-6](#)
- clock [3-6](#)
- clock address incrementor bit [4-61](#)
- clock byte counter bit [4-61](#)
- clock conversion factor [2-31](#)
- clock conversion factor bits [4-32](#)
- CLSE [2-7](#), [2-8](#)
- CMP [2-35](#)
- configuration read command [2-6](#)
- configuration registers
  - base address one (memory) [4-10](#)
  - base address two (memory) [4-10](#)
  - base address zero (I/O) [4-9](#)
  - BIST [4-9](#)
  - cache line size [4-7](#)
  - capabilities pointer [4-14](#)
  - capability ID [4-16](#)
  - class code [4-7](#)
  - command [4-3](#)
  - data [4-20](#)
  - device ID [4-3](#)
  - expansion ROM base address [4-13](#)
  - header type [4-8](#)
  - interrupt line [4-14](#)
  - interrupt pin [4-15](#)
  - latency timer [4-8](#)
  - max\_lat [4-16](#)
  - min\_gnt [4-15](#)
  - next item pointer [4-17](#)
  - power management capabilities [4-17](#)
  - power management control/status [4-17](#), [4-18](#)
  - revision ID [4-7](#)
  - status [4-5](#)
  - subsystem ID [4-12](#)
  - subsystem vendor ID [4-11](#)
  - vendor ID [4-3](#)
- configuration space [2-3](#)
- configuration write command [2-6](#)
- configured as I/O bit [4-55](#)
- configured as memory bit [4-55](#)
- connected bit [4-26](#), [4-51](#)
- conventions [1-7](#)

- CSF [2-38](#)
- CTEST0 register [4-53](#)
- CTEST1 register [4-54](#)
- CTEST2 register [4-54](#)
- CTEST4 register [4-59](#)
- CTEST5 register [4-61](#)
- CTEST6 register [4-62](#)
- cycle frame [3-8](#)

## D

- data
  - (DATA[7:0]) [4-20](#)
- data acknowledge status bit [4-56](#)
- data path [2-21](#)
- data request status bit [4-55](#)
- data structure address register [4-49](#)
- data transfer direction bit [4-54](#)
- data-in [2-42](#), [2-43](#)
- data-out [2-42](#), [2-43](#)
- DBC register [4-63](#)
- DCMD register [4-64](#)
- DCNTL [2-35](#)
- DCNTL register [4-70](#)
- designing a wide Ultra SCSI system [2-32](#)
- destination I/O-memory enable bit [4-67](#)
- determining the data transfer rate [2-30](#)
- device select [3-8](#)
- DEVSEL/ [3-8](#)
- DFIFO register [4-58](#)
- DIEN [2-35](#), [2-36](#)
- DIEN register [4-69](#)
- differential mode
  - operation [2-24](#)
- DIFFSENS [3-16](#), [3-17](#)
- DIFFSENS SCSI signal [6-3](#)
- DIP [2-34](#), [2-37](#), [2-38](#), [2-39](#)
- disable halt on parity error or ATN [4-25](#)
- disable single initiator response bit [4-93](#)
- DMA byte counter register [4-63](#)
- DMA command register [4-64](#)
- DMA control register [4-70](#)
- DMA core [1-3](#)
- DMA direction bit [4-61](#)
- DMA FIFO [2-9](#), [2-20](#), [2-34](#)
- DMA FIFO bits [4-62](#)
- DMA FIFO empty bit [4-42](#)
- DMA FIFO register [4-58](#)
- DMA interrupt enable register [4-69](#)
- DMA interrupt pending bit [4-53](#)
- DMA interrupts [2-35](#), [2-36](#), [2-38](#)
- DMA mode register [4-66](#)
- DMA next address register [4-64](#)
- DMA SCRIPTS pointer register [4-64](#)
- DMA SCRIPTS pointer save register [4-65](#)
- DMA status register [4-42](#)
- DMODE register [4-66](#)
- DNAD register [4-64](#)
- DSA register [4-49](#)
- DSP register [4-64](#)
- DSPS register [4-65](#)
- DSTAT [2-34](#)
- DSTAT register [4-42](#)
- dual address cycles command [2-7](#)

## E

- electrical characteristics
  - AC characteristics 6-12
  - DC characteristics
    - 3.3 volt PCI 6-7
  - TolerANT technology 6-8
- enable parity checking 2-17
- enable parity checking bit 4-24
- enable read line bit 4-68
- enable read multiple bit 4-68
- enable response to reselection bit 4-32
- enable response to selection bit 4-33
- enable wide SCSI bit 4-31
- encoded chip SCSI ID 4-33
- encoded destination SCSI ID bit 4-40
- encoded destination SCSI ID bits 4-36
- EPROMs 1-1
- error recording signals 3-9
- even parity 2-17
- expanded register move 1-6
- expansion ROM base address 4-13
- expansion ROM base address register 2-45
- extend SREQ/SACK filtering bit 4-91
- external memory configurations 6-15
- external memory interface 2-44
  - configuration 2-44
  - GPIO4 bit 4-37
  - slow memory 2-45
- extra clock cycle of data setup bit 4-25

## F

- fetch enable 4-82
- fetch pin mode bit 4-57
- FIFO byte control bits 4-60
- FIFO flags bits 4-46, 4-49
- flush DMA FIFO bit 4-56
- FRAME/ 3-8
- function complete 2-35
- function complete bit 4-73, 4-77

## G

- general purpose I/O pin 0 3-11, 3-12
- general purpose I/O pin 1 3-11, 3-12
- general purpose I/O pin 2 3-11
- general purpose I/O pin 3 3-11, 3-12
- general purpose I/O pin 4 3-11, 3-12
- general purpose pin control register 4-82
- general purpose register 4-37
- general purpose timer expired bit 4-76, 4-79
- general purpose timer period bits 4-85
- general purpose timer scale factor bit 4-85
- GNT/ 3-9
- GPCNTL register 4-82
- GPIO0\_FETCH/ 3-11, 3-12
- GPIO enable bit 4-83
- GPIO interface signals 3-11
- GPIO[4:0] bits 4-37
- GPIO1\_MASTER/ 3-11, 3-12
- GPIO2 3-11, 3-12
- GPIO3 3-11, 3-12
- GPIO4 3-11, 3-12
- GPREG register 4-37
- grant 3-9

## H

- halt SCSI clock bit 4-93
- handshake-to-handshake timer bus activity enable bit 4-85
- handshake-to-handshake timer expired bit 4-76, 4-79
- handshake-to-handshake timer period bit 4-83
- hardware interrupts 2-33
- header type (HT[7:0]) 4-8
- high impedance mode bit 4-59

## I

- I/O instructions 5-13
- I/O read command 2-5
- I/O space 2-3, 2-4
- I/O write command 2-5
- IDSEL 2-3, 3-8
- IDSEL signal 2-6
- IGS 3-16, 3-17
- illegal instruction detected bit 4-43
- immediate arbitration bit 4-26
- initialization device select 3-8
- initiator ready 3-8
- input 3-5
- instruction prefetching 2-14
  - prefetch enable bit 4-70
  - prefetch flush bit 4-70
  - prefetch unit flushing 2-15
- instructions
  - block move 5-6
  - I/O 5-13
  - load and store 5-38
  - memory move 5-34
  - read/write 5-22
  - transfer control 5-27
- INTA routing enable 3-21
- INTA/ 2-33, 3-10, 3-21
- INTA/ pin 2-36, 2-39
- INTB/ 3-10, 3-21
- integration 1-7
- interface control pins 3-8
- internal arbiter 2-10
- internal RAM, see also SCRIPTS RAM 2-14
- internal SCRIPTS RAM 2-14
- interrupt
  - line 4-14
  - pin (IP[7:0]) 4-15
- interrupt A 3-10
- interrupt B 3-10
- interrupt request 2-33
- interrupt status register 4-50
- interrupt-on-the-fly bit 4-52
- interrupts 2-33, 2-35
  - fatal vs. nonfatal interrupts 2-35
  - halting 2-38
  - IRQ disable bit 2-35
  - masking 2-36
  - sample interrupt service routine 2-39
  - stacked interrupts 2-37
- IRDY/ 3-8
- IRQ disable bit 4-71
- ISTAT 2-34
- ISTAT register 4-50

## J

JTAG boundary scan testing [2-16](#)

## L

last disconnect bit [4-49](#)  
latched SCSI parity bit [4-47](#)  
latched SCSI parity for SD[15:8] bit [4-49](#)  
latency [2-10](#)  
    timer (LT[7:0]) [4-8](#)  
load and store instructions [5-38](#)  
    no flush option [5-39](#)  
    prefetch unit and store instructions [2-15](#), [5-39](#)  
load and store SCRIPTS [1-6](#)  
load/store instructions [2-16](#)  
lost arbitration bit [4-45](#)  
LSI53C700 family compatibility bit [4-72](#)  
LSI53C876 benefits [1-5](#)

## M

MACNTL register [4-82](#)  
MAD bus [2-44](#)  
MAD bus programming [3-21](#)  
    MAD[3:1] [3-22](#)  
MAD pins [2-44](#)  
MAD[7:0] pins [3-21](#)  
manual start mode bit [4-68](#)  
MAS0/ [3-18](#)  
MAS1/ [3-18](#)  
masking [2-36](#)  
master control for set or reset pulses bit [4-61](#)  
master data parity error bit [4-42](#), [4-69](#)  
master enable bit [4-82](#)  
master parity error enable bit [4-60](#)  
max SCSI synchronous offset bits [4-35](#)  
max\_lat (ML[7:0]) [4-16](#)  
MCE/ [3-19](#)  
memory access control register [4-82](#)  
memory address strobe 0 [3-18](#)  
memory address strobe 1 [3-18](#)  
memory address/data bus [3-18](#)  
memory chip enable [3-19](#)  
memory move instruction [2-12](#)  
memory move instructions [5-34](#)  
    and SCRIPTS instruction prefetching [2-15](#)  
    no flush option [2-15](#)  
memory move misalignment [2-12](#)  
memory output enable [3-19](#)  
memory read command [2-6](#)  
memory read line command [2-7](#)  
memory read multiple command [2-6](#)  
memory space [2-3](#), [2-4](#)  
memory write and invalidate command [2-9](#)  
memory write command [2-6](#)  
memory write enable [3-19](#)  
min\_gnt (MG[7:0]) [4-15](#)  
MOE\_TESTOUT [3-19](#)  
multiple cache line transfers [2-9](#)  
multithreaded I/O [1-6](#)  
MWE/ [3-19](#)

## N

next\_item\_ptr (NIP[7:0]) [4-17](#)  
no flush memory move instruction [5-35](#)

## O

objectives of DMA architecture [2-43](#)  
opcode fetch burst capability [2-15](#)  
opcode fetch bursting [2-15](#)  
operating registers  
    adder sum output [4-72](#)  
    chip test five [4-61](#)  
    chip test four [4-59](#)  
    chip test one [4-54](#)  
    chip test six [4-62](#)  
    chip test three [4-56](#)  
    chip test two [4-54](#)  
    chip test zero [4-53](#)  
    data structure address [4-49](#)  
    DMA byte counter [4-63](#)  
    DMA command [4-64](#)  
    DMA control [4-70](#)  
    DMA FIFO [4-58](#)  
    DMA interrupt enable [4-69](#)  
    DMA mode [4-66](#)  
    DMA next address [4-64](#)  
    DMA SCRIPTS pointer [4-64](#)  
    DMA SCRIPTS pointer save [4-65](#)  
    DMA status [4-42](#)  
    general purpose [4-37](#)  
    general purpose pin control [4-82](#)  
    interrupt status [4-50](#)  
    memory access control [4-82](#)  
    response ID one [4-86](#)  
    response ID zero [4-86](#)  
    scratch register A [4-66](#)  
    scratch register B [4-96](#)  
    SCSI bus control lines [4-41](#)  
    SCSI bus data lines [4-95](#)  
    SCSI chip ID [4-32](#)  
    SCSI control one register [4-25](#)  
    SCSI control register two [4-28](#)  
    SCSI control three [4-31](#)  
    SCSI control zero [4-22](#)  
    SCSI destination ID [4-36](#)  
    SCSI first byte received [4-38](#)  
    SCSI input data latch [4-94](#)  
    SCSI interrupt enable one [4-75](#)  
    SCSI interrupt enable zero [4-73](#)  
    SCSI interrupt status one [4-79](#)  
    SCSI interrupt status zero [4-76](#)  
    SCSI longitudinal parity [4-80](#)  
    SCSI output control latch [4-39](#)  
    SCSI output data latch [4-95](#)  
    SCSI selector ID [4-40](#)  
    SCSI status one [4-46](#)  
    SCSI status two [4-48](#)  
    SCSI status zero [4-44](#)  
    SCSI test one [4-88](#)  
    SCSI test three [4-92](#)  
    SCSI test two [4-90](#)  
    SCSI test zero [4-87](#)  
    SCSI timer one [4-85](#)  
    SCSI timer zero [4-83](#)  
    SCSI transfer [4-33](#)

operating registers (Cont.)  
SCSI wide residue 4-81  
temporary stack 4-57

## P

PAR 3-7  
parallel ROM interface 2-43  
parity 2-17, 3-7  
parity error 3-9  
parity error bit 4-78  
PCI addressing 2-3  
PCI and external memory interface timings 6-15  
symbols and parameters 6-54  
PCI bus commands and functions supported 2-4  
PCI cache line size register 2-9  
PCI cache mode 2-11  
cache line size enable bit 4-70  
enable read multiple bit 4-68  
write and invalidate enable bit 4-57  
PCI commands 2-4  
PCI configuration registers 4-1  
PCI functional description 2-3  
PCI I/O space 2-4  
PCI interface pins 3-8  
PCI interface signals 3-6  
PCI interrupt signals 3-10  
PCI memory space 2-4  
PCI performance 1-5  
PCI target disconnect 2-10  
PCI target retry 2-10  
PERR/ 3-9  
phase mismatch bit 4-77  
physical dword address and data 3-7  
polling 2-33  
power management 2-48  
isolated power supplies 2-50  
power state D0 2-49  
power state D1 2-49  
power state D2 2-49  
power state D3 2-50  
register 0x40, capability ID 4-16  
register 0x41, next item pointer 4-17  
register 0x42, power management capabilities 4-17  
register 0x44, control/status 4-18  
register 0x46, PMCSR BSE 4-19  
register 0x47, data 4-20  
prefetch enable bit 4-70  
prefetch flush bit 4-70

## R

RAM, see also SCRIPTS RAM 2-14  
read line mode 2-7  
read multiple with read line enabled 2-8  
read/write instructions 5-22  
register addresses  
operating registers  
0x01 4-25  
0x02 4-28  
0x03 4-31  
0x04 4-32  
0x05 4-33  
0x06 4-36  
0x07 4-37  
0x08 4-38

0x09 4-39  
0x0A 4-40  
0x0B 4-41  
0x0C 4-42  
0x0D 4-44  
0x0E 4-46  
0x0F 4-48  
0x10–0x13 4-49  
0x14 4-50  
0x18 4-53  
0x19 4-54  
0x1A 4-54  
0x1B 4-56  
0x1C–0x1F 4-57  
0x20 4-58  
0x21 4-59  
0x22 4-61  
0x23 4-62  
0x24–0x26 4-63  
0x27 4-64  
0x28–0x2B 4-64  
0x2C–0x2F 4-64  
0x30–0x33 4-65  
0x34–0x37 4-66  
0x38 4-66  
0x39 4-69  
0x3A 4-70  
0x3B 4-70  
0x3C–0x3F 4-72  
0x40 4-73  
0x41 4-75  
0x42 4-76  
0x43 4-79  
0x44 4-80  
0x45 4-81  
0x46 4-82  
0x47 4-82  
0x48 4-83  
0x49 4-85  
0x4A 4-86  
0x4B 4-86  
0x4C 4-87  
0x4D 4-88  
0x4E 4-90  
0x4F 4-92  
0x50–0x51 4-94  
0x54–0x55 4-95  
0x58–0x59 4-95  
0x5C–0x5F 4-96  
0x60–0x70 4-96

### register bits

abort operation 4-50  
aborted 4-43, 4-69  
always wide SCSI 4-91  
arbitration in progress 4-45  
arbitration mode 4-22  
arbitration priority encoder test 4-87  
assert even SCSI parity (force bad parity) 4-26  
assert SATN/ on parity error 4-24  
assert SCSI ACK/ signal 4-39  
assert SCSI ATN/ signal 4-39  
assert SCSI BSY/ signal 4-39  
assert SCSI C\_D/ signal 4-39  
assert SCSI data bus 4-25  
assert SCSI I\_O/ signal 4-39  
assert SCSI MSG/ signal 4-39

register bits (Cont.)

- assert SCSI REQ/ signal 4-39
- assert SCSI RST/ signal 4-26
- assert SCSI SEL/ signal 4-39
- burst disable 4-59
- burst length 4-62, 4-66
- burst opcode fetch enable 4-68
- bus fault 4-42, 4-69
- byte empty in DMA FIFO 4-54
- byte full in DMA FIFO 4-54
- byte offset counter 4-58, 4-62
- cache line size enable 4-70
- chained mode 4-28
- chip revision level 4-56
- chip type 4-82
- clear DMA FIFO 4-56
- clear SCSI FIFO 4-93
- clock address incrementor 4-61
- clock byte counter 4-61
- clock conversion factor 4-32
- configured as I/O 4-55
- configured as memory 4-55
- connected 4-26, 4-51
- data acknowledge status 4-56
- data request status 4-55
- data transfer direction 4-54
- destination I/O-memory enable 4-67
- disable halt on parity error or ATN 4-25
- disable single initiator response 4-93
- DMA direction 4-61
- DMA FIFO 4-62
- DMA FIFO empty 4-42
- DMA interrupt pending 4-53
- enable parity checking 4-24
- enable read line 4-68
- enable read multiple 4-68
- enable response to reselection 4-32
- enable response to selection 4-33
- enable wide SCSI 4-31
- encoded chip SCSI ID, bits [3:0] 4-33
- encoded destination SCSI ID 4-36, 4-40
- extend SREQ/SACK filtering 4-91
- extra clock cycle of data setup 4-25
- fetch enable 4-82
- fetch pin mode 4-57
- FIFO byte control 4-60
- FIFO flags 4-46, 4-49
- flush DMA FIFO 4-56
- function complete 4-73, 4-77
- general purpose timer expired 4-76, 4-79
- general purpose timer period 4-85
- general purpose timer scale factor 4-85
- GPIO enable 4-83
- GPIO[4:0] 4-37
- halt SCSI clock 4-93
- handshake-to-handshake timer bus activity enable 4-85
- handshake-to-handshake timer expired 4-76, 4-79
- handshake-to-handshake timer period 4-83
- high impedance mode 4-59
- illegal instruction detected 4-43, 4-69
- immediate arbitration 4-26
- interrupt-on-the-fly 4-52
- IRQ disable 4-71
- last disconnect 4-49
- latched SCSI parity 4-47
- latched SCSI parity for SD[15:8] 4-49
- lost arbitration 4-45
- LSI53C700 family compatibility 4-72
- manual start mode 4-68
- master control for set or reset pulses 4-61
- master data parity error 4-42, 4-69
- master enable 4-82
- master parity error enable 4-60
- max SCSI synchronous offset 4-35
- parity error 4-78
- phase mismatch 4-77
- prefetch enable 4-70
- prefetch flush 4-70
- reselected 4-74, 4-77
- reset SCSI offset 4-90
- SACK/ status 4-41
- SATN/ status 4-41
- SBSY/ status 4-41
- SC\_D/ status 4-41
- SCRIPTS interrupt instruction received 4-43, 4-69
- SCSI C\_D/ signal 4-47
- SCSI control enable 4-90
- SCSI data high impedance 4-59
- SCSI disconnect unexpected 4-28
- SCSI FIFO test read 4-92
- SCSI FIFO test write 4-94
- SCSI gross error 4-74, 4-77
- SCSI high impedance mode 4-91
- SCSI I\_O/ signal 4-47
- SCSI interrupt pending 4-52
- SCSI loopback mode 4-90
- SCSI low level mode 4-91
- SCSI MSG/ signal 4-47
- SCSI parity error 4-75
- SCSI phase mismatch - initiator mode 4-73
- SCSI reset condition 4-75
- SCSI RST/ received 4-78
- SCSI RST/ signal 4-45
- SCSI SDP0/ parity signal 4-46
- SCSI SDP1 signal 4-49
- SCSI selected as ID 4-87
- SCSI synchronous offset maximum 4-88
- SCSI synchronous offset zero 4-87
- SCSI synchronous transfer period 4-34
- SCSI true end of process 4-55
- SCSI valid 4-40
- select with SATN/ on a start sequence 4-23
- selected 4-73, 4-77
- selection or reselection time-out 4-75, 4-79
- selection response logic test 4-87
- selection time-out 4-84
- semaphore 4-51
- shadow register test mode 4-59
- SI\_O/ status 4-41
- SIDL least significant byte full 4-44
- SIDL most significant byte full 4-48
- signal process 4-51, 4-54
- single-step interrupt 4-43, 4-69
- single-step mode 4-71
- SLPAR high byte enable 4-29
- SLPAR mode 4-29
- SMSG/ status 4-41
- SODL least significant byte full 4-45
- SODL most significant byte full 4-48
- SODR least significant byte full 4-44
- SODR most significant byte full 4-48
- software reset 4-51

- register bits (Cont.)
  - source I/O-memory enable 4-67
  - SREQ/ status 4-41
  - SSEL/ status 4-41
  - start DMA operation 4-71
  - start SCSI transfer 4-27
  - start sequence 4-23
  - synchronous clock conversion factor 4-31
  - target mode 4-24
  - timer test mode 4-93
  - TolerANT enable 4-92
  - Ultra SCSI enable 4-31
  - unexpected disconnect 4-74, 4-78
  - wide SCSI receive 4-30
  - wide SCSI send 4-29
  - won arbitration 4-45
  - write and invalidate enable 4-57
- registers 2-33
- reliability 1-7
- REQ/ 3-9
- REQ/ - GNT/ 1-1, 2-3
- request 3-9
- reselected bit 4-74, 4-77
- reserved command 2-5
- reset 3-6
- reset SCSI offset bit 4-90
- RESPID0 register 4-86
- RESPID1 register 4-86
- response ID one register 4-86
- response ID zero register 4-86
- revision level bits 4-56
- ROM 3-18
- ROM base address register 2-44
- ROM interface 2-43
- ROM pin 2-45
- ROM/flash interface signals 3-18
- RST/ 3-6
- RSTDIR 3-16, 3-17

## S

- SACK 2-38
- SACK/ 3-14, 3-15
- SACK/ status bit 4-41
- SATN/ 3-14, 3-15
- SATN/ active 4-77
- SATN/ active bit 4-77
- SATN/ status bit 4-41
- SBCL register 4-41
- SBDL register 4-95
- SBSY status bit 4-41
- SBSY/ 3-14, 3-15
- SC\_D/ 3-14, 3-15
- SC\_D/ status bit 4-41
- scatter/gather 1-6
- SCF[2:0] 2-30
- SCID register 4-32
- SCLK 3-13
- SCNTL0 register 4-22
- SCNTL1 register 4-25
- SCNTL2 register 4-28
- SCNTL3 register 4-31
- SCRATCHA register 4-66
- SCRATCHB register 4-96
- SCRIPTS instruction 2-41
- SCRIPTS interrupt instruction received bit 4-43

- SCRIPTS processor 2-13
  - instruction prefetching 2-14
  - internal RAM for instruction storage 2-14
  - performance 2-13
- SCRIPTS RAM 2-4, 2-14
- SCSI
  - differential mode 2-24
  - termination 2-28
- SCSI ATN condition - target mode 4-73
- SCSI ATN condition bit 4-73
- SCSI bus control lines register 4-41
- SCSI bus data lines register 4-95
- SCSI bus interface 2-24
- SCSI C\_D/ signal bit 4-47
- SCSI chip ID register 4-32
- SCSI clock 3-13, 3-16, 3-17
- SCSI control 3-14, 3-15, 3-16, 3-17
- SCSI control enable bit 4-90
- SCSI control one register 4-25
- SCSI control three register 4-31
- SCSI control two register 4-28
- SCSI control zero register 4-22
- SCSI controller 2-13
- SCSI core 1-3
- SCSI data high impedance bit 4-59
- SCSI destination ID register 4-36
- SCSI disconnect unexpected bit 4-28
- SCSI FIFO test read bit 4-92
- SCSI FIFO test write bit 4-94
- SCSI first byte received register 4-38
- SCSI gross error bit 4-74, 4-77
- SCSI high impedance mode bit 4-91
- SCSI I\_O/ signal bit 4-47
- SCSI input data latch register 4-94
- SCSI instructions
  - block move 5-6
  - I/O 5-13
  - load/store 5-38
  - memory move 5-34
  - read/write 5-22
  - transfer control 5-27
- SCSI interrupt enable one register 4-75
- SCSI interrupt enable zero register 4-73
- SCSI interrupt pending bit 4-52
- SCSI interrupt status one register 4-79
- SCSI interrupt status zero register 4-76
- SCSI interrupts 2-38
- SCSI longitudinal parity register 4-80
- SCSI loopback mode bit 4-90
- SCSI low level mode bit 4-91
- SCSI MSG/ signal bit 4-47
- SCSI output control latch register 4-39
- SCSI output data latch register 4-95
- SCSI parity error bit 4-75
- SCSI performance 1-5
- SCSI phase mismatch bit 4-73
- SCSI reset condition bit 4-75
- SCSI RST/ received bit 4-78
- SCSI RST/ signal bit 4-45
- SCSI SCRIPTS 1-3
- SCSI SCRIPTS operation 5-2
  - sample instruction 5-3
- SCSI SDPO/ parity signal bit 4-46
- SCSI SDP1 signal bit 4-49
- SCSI selected as ID bits 4-87
- SCSI selector ID register 4-40

SCSI serial EEPROM access 2-45  
 SCSI status one register 4-46  
 SCSI status two register 4-48  
 SCSI status zero register 4-44  
 SCSI synchronous offset maximum 4-88  
 SCSI synchronous offset zero bit 4-87  
 SCSI test one register 4-88  
 SCSI test three register 4-92  
 SCSI test two register 4-90  
 SCSI test zero register 4-87  
 SCSI timer one register 4-85  
 SCSI timer zero register 4-83  
 SCSI transfer register 4-33  
 SCSI true end of process bit 4-55  
 SCSI valid bit 4-40  
 SCSI wide residue register 4-81  
 SCTRL/ 3-14, 3-15, 3-16, 3-17  
 SD/[15:0] 3-14, 3-15, 3-16, 3-17  
 SDID register 4-36  
 SDIR 3-16  
 SDIR[15:0] 3-17  
 SDMS 1-3  
 SDP/[1:0] 3-14, 3-15  
 SEL 2-35  
 select with SATN/ on a start sequence bit 4-23  
 selected bit 4-73, 4-77  
 selection of cache line size 2-11  
 selection or reselection time-out bit 4-75, 4-79  
 selection response logic test bits 4-87  
 semaphore bit 4-51  
 serial EEPROM interface 2-45  
   mode A operation 2-45  
   mode B operation 2-46  
   mode C operation 2-46  
   mode D operation 2-48  
   register 0x2C 4-11  
   register 0x2E 4-12  
 SERR/ 3-9  
 SFBR register 4-38  
 shadow register test mode bit 4-59  
 SI\_O/ 3-14, 3-15  
 SI\_O/ status bit 4-41  
 SIDL least significant byte full bit 4-44  
 SIDL most significant byte full bit 4-48  
 SIDL register 4-94  
 SIEN0 2-35  
 SIEN0 register 4-73  
 SIEN1 2-35  
 SIEN1 register 4-75  
 SIGP bit 4-51, 4-54  
 single-ended operation 2-24  
 single-step interrupt bit 4-43, 4-69  
 single-step mode bit 4-71  
 SIP 2-34, 2-37, 2-38  
 SIST0 2-34, 2-37, 2-39  
 SIST0 register 4-76  
 SIST1 2-34, 2-37, 2-39  
 SIST1 register 4-79  
 slow ROM pin 3-22  
 SLPAR high byte enable 4-29  
 SLPAR mode bit 4-29  
 SLPAR register 4-80  
 MSG/ 3-14, 3-15  
 MSG/ status bit 4-41  
 SOCL least significant byte full bit 4-45  
 SOCL register 4-39  
 SODL most significant byte full bit 4-48  
 SODL register 4-95  
 SODR least significant byte full bit 4-44  
 SODR most significant byte full bit 4-48  
 software reset bit 4-51  
 source I/O-memory enable bit 4-67  
 special cycle command 2-5  
 SREQ 2-38  
 SREQ/ 3-14, 3-15  
 SREQ/ status bit 4-41  
 SRST/ 3-14, 3-15  
 SSEL/ 3-14, 3-15  
 SSEL/ status bit 4-41  
 SSID register 4-40  
 SSTAT0 register 4-44  
 SSTAT1 register 4-46  
 SSTAT2 register 4-48  
 stacked interrupts 2-37  
 start DMA operation bit 4-71  
 start SCSI transfer 4-27  
 start sequence bit 4-23  
 STEST0 register 4-87  
 STEST1 register 4-88  
 STEST2 register 4-90  
 STEST3 register 4-92  
 STIME0 register 4-83  
 STIME1 register 4-85  
 stop 3-8  
 subsystem ID 2-46, 2-47  
   (SID[15:0]) 4-12  
 subsystem vendor ID 2-46, 2-47  
   (SVID[15:0]) 4-11  
 SWIDE register 4-81  
 SXFER register 4-33  
 synchronous clock conversion factor bits 4-31  
 synchronous data transfer rates 2-30  
 synchronous operation 2-30  
 synchronous SCSI receive 2-23  
 synchronous SCSI send 2-22  
 synchronous transfer period bits 4-34  
 system signals 3-6

## T

target mode bit 4-24  
 target ready 3-8  
 TCK 3-19  
 TDI 3-20  
 TDO 3-20  
 TEMP register 4-57  
 temporary register 4-57  
 termination 2-28  
 terminator networks 2-28  
 testability 1-6  
 TESTIN/ 3-19  
 TGS 3-16, 3-17  
 timer test mode bit 4-93  
 timing diagrams 6-15  
 TMS 3-19  
 TolerANT enable bit 2-33, 4-92  
 TolerANT SCSI 1-4  
 TolerANT technology 1-7  
   benefits 1-4  
   extend SREQ/SACK filtering bit 4-91  
   TolerANT enable bit 4-92  
 totem pole output 3-5



TP[2:0] [2-30](#)  
transfer control instructions [5-27](#)  
    and SCRIPTS instruction prefetching [2-15](#)  
transfer rate  
    synchronous [2-30](#)  
TRDY/ [3-8](#)

## U

Ultra SCSI [1-2](#), [1-3](#), [1-4](#)  
    clock conversion factor bits [4-32](#)  
    synchronous transfer period bits [4-34](#)  
    Ultra SCSI enable bit [4-31](#)  
Ultra SCSI enable bit [4-31](#)  
Ultra SCSI synchronous data transfers [2-31](#)  
unexpected disconnect bit [4-74](#), [4-78](#)

## V

VDD [3-20](#)  
VDD-C [3-20](#)  
VDD-IO [3-20](#)  
VSS [3-20](#)  
VSS-C [3-20](#)  
VSS-S [3-20](#)

## W

WATN/ bit [4-23](#)  
wide SCSI  
    always wide SCSI bit [4-91](#)  
    chained block moves [2-40](#)  
    chained mode bit [4-28](#)  
    enable wide SCSI bit [4-31](#)  
    SWIDE register [4-81](#)  
    wide SCSI receive bit [4-30](#)  
    wide SCSI send bit [4-29](#)  
wide SCSI receive bit [4-30](#)  
wide SCSI send bit [4-29](#)  
wide Ultra SCSI [1-4](#)  
wide Ultra SCSI benefits [1-4](#)  
wide Ultra SCSI enable bit [2-33](#)  
wide Ultra SCSI mode enable bit [2-31](#)  
wide Ultra SCSI synchronous data transfers [2-31](#)  
won arbitration bit [4-45](#)  
write and invalidate enable bit [4-57](#)  
WSR bit [2-41](#)  
WSS flag [2-41](#)



# Customer Feedback

---

We would appreciate your feedback on this document. Please copy the following page, add your comments, and fax it to us at the number shown.

If appropriate, please also fax copies of any marked-up pages from this document.

Important: Please include your name, phone number, fax number, and company address so that we may contact you directly for clarification or additional information.

Thank you for your help in improving the quality of our documents.

---

## Reader's Comments

Fax your comments to: LSI Logic Corporation  
Technical Publications  
M/S E-198  
Fax: 408.433.4333

Please tell us how you rate this document: *LSI53C876/876E PCI to Dual Channel SCSI Multifunction Controller Technical Manual*. Place a check mark in the appropriate blank for each category.

	Excellent	Good	Average	Fair	Poor
Completeness of information	_____	_____	_____	_____	_____
Clarity of information	_____	_____	_____	_____	_____
Ease of finding information	_____	_____	_____	_____	_____
Technical content	_____	_____	_____	_____	_____
Usefulness of examples and illustrations	_____	_____	_____	_____	_____
Overall manual	_____	_____	_____	_____	_____

What could we do to improve this document?

---

---

---

---

If you found errors in this document, please specify the error and page number. If appropriate, please fax a marked-up copy of the page(s).

---

---

---

Please complete the information below so that we may contact you directly for clarification or additional information.

Name \_\_\_\_\_ Date \_\_\_\_\_

Telephone \_\_\_\_\_ Fax \_\_\_\_\_

Title \_\_\_\_\_

Department \_\_\_\_\_ Mail Stop \_\_\_\_\_

Company Name \_\_\_\_\_

Street \_\_\_\_\_

City, State, Zip \_\_\_\_\_

# U.S. Distributors by State

---

A. E. Avnet Electronics  
<http://www.hh.avnet.com>  
B. M. Bell Microproducts,  
Inc. (for HAB's)  
<http://www.bellmicro.com>  
I. E. Insight Electronics  
<http://www.insight-electronics.com>  
W. E. Wyle Electronics  
<http://www.wyle.com>

## Alabama

Daphne  
I. E. Tel: 334.626.6190  
Huntsville  
A. E. Tel: 256.837.8700  
I. E. Tel: 256.830.1222  
W. E. Tel: 800.964.9953

## Alaska

A. E. Tel: 800.332.8638

## Arkansas

W. E. Tel: 972.235.9953

## Arizona

Phoenix  
A. E. Tel: 480.736.7000  
B. M. Tel: 602.267.9551  
W. E. Tel: 800.528.4040  
Tempe  
I. E. Tel: 480.829.1800  
Tucson  
A. E. Tel: 520.742.0515

## California

Agoura Hills  
B. M. Tel: 818.865.0266  
Irvine  
A. E. Tel: 949.789.4100  
B. M. Tel: 949.470.2900  
I. E. Tel: 949.727.3291  
W. E. Tel: 800.626.9953  
Los Angeles  
A. E. Tel: 818.594.0404  
W. E. Tel: 800.288.9953  
Sacramento  
A. E. Tel: 916.632.4500  
W. E. Tel: 800.627.9953  
San Diego  
A. E. Tel: 858.385.7500  
B. M. Tel: 858.597.3010  
I. E. Tel: 800.677.6011  
W. E. Tel: 800.829.9953  
San Jose  
A. E. Tel: 408.435.3500  
B. M. Tel: 408.436.0881  
I. E. Tel: 408.952.7000  
Santa Clara  
W. E. Tel: 800.866.9953  
Woodland Hills  
A. E. Tel: 818.594.0404  
Westlake Village  
I. E. Tel: 818.707.2101

## Colorado

Denver  
A. E. Tel: 303.790.1662  
B. M. Tel: 303.846.3065  
W. E. Tel: 800.933.9953  
Englewood  
I. E. Tel: 303.649.1800

## Connecticut

Cheshire  
A. E. Tel: 203.271.5700  
I. E. Tel: 203.272.5843  
Wallingford  
W. E. Tel: 800.605.9953

## Delaware

North/South  
A. E. Tel: 800.526.4812  
Tel: 800.638.5988  
B. M. Tel: 302.328.8968  
W. E. Tel: 856.439.9110

## Florida

Altamonte Springs  
B. M. Tel: 407.682.1199  
I. E. Tel: 407.834.6310  
Boca Raton  
I. E. Tel: 561.997.2540  
Clearwater  
I. E. Tel: 727.524.8850  
Fort Lauderdale  
A. E. Tel: 954.484.5482  
W. E. Tel: 800.568.9953  
Miami  
B. M. Tel: 305.477.6406  
Orlando  
A. E. Tel: 407.657.3300  
W. E. Tel: 407.740.7450  
Tampa  
W. E. Tel: 800.395.9953  
St. Petersburg  
A. E. Tel: 727.507.5000

## Georgia

Atlanta  
A. E. Tel: 770.623.4400  
B. M. Tel: 770.980.4922  
W. E. Tel: 800.876.9953  
Duluth  
I. E. Tel: 678.584.0812

## Hawaii

A. E. Tel: 800.851.2282

## Idaho

A. E. Tel: 801.365.3800  
W. E. Tel: 801.974.9953

## Illinois

North/South  
A. E. Tel: 847.797.7300  
Tel: 314.291.5350  
Chicago  
B. M. Tel: 847.413.8530  
W. E. Tel: 800.853.9953  
Schaumburg  
I. E. Tel: 847.885.9700

## Indiana

Fort Wayne  
I. E. Tel: 219.436.4250  
W. E. Tel: 888.358.9953  
Indianapolis  
A. E. Tel: 317.575.3500

## Iowa

W. E. Tel: 612.853.2280  
Cedar Rapids  
A. E. Tel: 319.393.0033

## Kansas

W. E. Tel: 303.457.9953  
Kansas City  
A. E. Tel: 913.663.7900  
Lenexa  
I. E. Tel: 913.492.0408

## Kentucky

W. E. Tel: 937.436.9953  
Central/Northern/ Western  
A. E. Tel: 800.984.9503  
Tel: 800.767.0329  
Tel: 800.829.0146

## Louisiana

W. E. Tel: 713.854.9953  
North/South  
A. E. Tel: 800.231.0253  
Tel: 800.231.5575

## Maine

A. E. Tel: 800.272.9255  
W. E. Tel: 781.271.9953

## Maryland

Baltimore  
A. E. Tel: 410.720.3400  
W. E. Tel: 800.863.9953  
Columbia  
B. M. Tel: 800.673.7461  
I. E. Tel: 410.381.3131

## Massachusetts

Boston  
A. E. Tel: 978.532.9808  
W. E. Tel: 800.444.9953  
Burlington  
I. E. Tel: 781.270.9400  
Marlborough  
B. M. Tel: 508.480.9099  
Woburn  
B. M. Tel: 781.933.9010

## Michigan

Brighton  
I. E. Tel: 810.229.7710  
Detroit  
A. E. Tel: 734.416.5800  
W. E. Tel: 888.318.9953

## Minnesota

Champlin  
B. M. Tel: 800.557.2566  
Eden Prairie  
B. M. Tel: 800.255.1469  
Minneapolis  
A. E. Tel: 612.346.3000  
W. E. Tel: 800.860.9953  
St. Louis Park  
I. E. Tel: 612.525.9999

## Mississippi

A. E. Tel: 800.633.2918  
W. E. Tel: 256.830.1119

## Missouri

W. E. Tel: 630.620.0969  
St. Louis  
A. E. Tel: 314.291.5350  
I. E. Tel: 314.872.2182

## Montana

A. E. Tel: 800.526.1741  
W. E. Tel: 801.974.9953

## Nebraska

A. E. Tel: 800.332.4375  
W. E. Tel: 303.457.9953

## Nevada

Las Vegas  
A. E. Tel: 800.528.8471  
W. E. Tel: 702.765.7117

## New Hampshire

A. E. Tel: 800.272.9255  
W. E. Tel: 781.271.9953

## New Jersey

North/South  
A. E. Tel: 201.515.1641  
Tel: 609.222.6400  
Mt. Laurel  
I. E. Tel: 609.222.9566  
Pine Brook  
W. E. Tel: 800.862.9953  
Parsippany  
I. E. Tel: 973.299.4425  
Wayne  
W. E. Tel: 973.237.9010

## New Mexico

W. E. Tel: 480.804.7000  
Albuquerque  
A. E. Tel: 505.293.5119

**U.S. Distributors  
by State  
(Continued)**

---

**New York**

Hauppauge  
I. E. Tel: 516.761.0960  
Long Island  
A. E. Tel: 516.434.7400  
W. E. Tel: 800.861.9953  
Rochester  
A. E. Tel: 716.475.9130  
I. E. Tel: 716.242.7790  
W. E. Tel: 800.319.9953  
Smithtown  
B. M. Tel: 800.543.2008  
Syracuse  
A. E. Tel: 315.449.4927

**North Carolina**

Raleigh  
A. E. Tel: 919.859.9159  
I. E. Tel: 919.873.9922  
W. E. Tel: 800.560.9953

**North Dakota**

A. E. Tel: 800.829.0116  
W. E. Tel: 612.853.2280

**Ohio**

Cleveland  
A. E. Tel: 216.498.1100  
W. E. Tel: 800.763.9953  
Dayton  
A. E. Tel: 614.888.3313  
I. E. Tel: 937.253.7501  
W. E. Tel: 800.575.9953  
Strongsville  
B. M. Tel: 440.238.0404  
Valley View  
I. E. Tel: 216.520.4333

**Oklahoma**

W. E. Tel: 972.235.9953  
Tulsa  
A. E. Tel: 918.459.6000  
I. E. Tel: 918.665.4664

**Oregon**

Beaverton  
B. M. Tel: 503.524.0787  
I. E. Tel: 503.644.3300  
Portland  
A. E. Tel: 503.526.6200  
W. E. Tel: 800.879.9953

**Pennsylvania**

Mercer  
I. E. Tel: 412.662.2707  
Pittsburgh  
A. E. Tel: 412.281.4150  
W. E. Tel: 440.248.9996  
Philadelphia  
A. E. Tel: 800.526.4812  
B. M. Tel: 215.741.4080  
W. E. Tel: 800.871.9953

**Rhode Island**

A. E. 800.272.9255  
W. E. Tel: 781.271.9953

**South Carolina**

A. E. Tel: 919.872.0712  
W. E. Tel: 919.469.1502

**South Dakota**

A. E. Tel: 800.829.0116  
W. E. Tel: 612.853.2280

**Tennessee**

W. E. Tel: 256.830.1119  
East/West  
A. E. Tel: 800.241.8182  
Tel: 800.633.2918

**Texas**

Austin  
A. E. Tel: 512.219.3700  
B. M. Tel: 512.258.0725  
I. E. Tel: 512.719.3090  
W. E. Tel: 800.365.9953  
Dallas  
A. E. Tel: 214.553.4300  
B. M. Tel: 972.783.4191  
W. E. Tel: 800.955.9953  
El Paso  
A. E. Tel: 800.526.9238  
Houston  
A. E. Tel: 713.781.6100  
B. M. Tel: 713.917.0663  
W. E. Tel: 800.888.9953  
Richardson  
I. E. Tel: 972.783.0800  
Rio Grande Valley  
A. E. Tel: 210.412.2047  
Stafford  
I. E. Tel: 281.277.8200

**Utah**

Centerville  
B. M. Tel: 801.295.3900  
Murray  
I. E. Tel: 801.288.9001  
Salt Lake City  
A. E. Tel: 801.365.3800  
W. E. Tel: 800.477.9953

**Vermont**

A. E. Tel: 800.272.9255  
W. E. Tel: 716.334.5970

**Virginia**

A. E. Tel: 800.638.5988  
W. E. Tel: 301.604.8488

**Washington**

Kirkland  
I. E. Tel: 425.820.8100  
Seattle  
A. E. Tel: 425.882.7000  
W. E. Tel: 800.248.9953

**West Virginia**

A. E. Tel: 800.638.5988

**Wisconsin**

Milwaukee  
A. E. Tel: 414.513.1500  
W. E. Tel: 800.867.9953  
Wauwatosa  
I. E. Tel: 414.258.5338

**Wyoming**

A. E. Tel: 800.332.9326  
W. E. Tel: 801.974.9953

# Direct Sales Representatives by State (Component and Boards)

---

E. A. Earle Associates  
E. L. Electrodyne - UT  
GRP Group 2000  
I. S. Infinity Sales, Inc.  
ION ION Associates, Inc.  
R. A. Rathsburg Associates, Inc.  
SGY Synergy Associates, Inc.

## Arizona

Tempe  
E. A. Tel: 480.921.3305

## California

Calabasas  
I. S. Tel: 818.880.6480  
Irvine  
I. S. Tel: 714.833.0300  
San Diego  
E. A. Tel: 619.278.5441

## Illinois

Elmhurst  
R. A. Tel: 630.516.8400

## Indiana

Cicero  
R. A. Tel: 317.984.8608  
Ligonier  
R. A. Tel: 219.894.3184  
Plainfield  
R. A. Tel: 317.838.0360

## Massachusetts

Burlington  
SGY Tel: 781.238.0870

## Michigan

Byron Center  
R. A. Tel: 616.554.1460  
Good Rich  
R. A. Tel: 810.636.6060  
Novi  
R. A. Tel: 810.615.4000

## North Carolina

Cary  
GRP Tel: 919.481.1530

## Ohio

Columbus  
R. A. Tel: 614.457.2242  
Dayton  
R. A. Tel: 513.291.4001  
Independence  
R. A. Tel: 216.447.8825

## Pennsylvania

Somerset  
R. A. Tel: 814.445.6976

## Texas

Austin  
ION Tel: 512.794.9006  
Arlington  
ION Tel: 817.695.8000  
Houston  
ION Tel: 281.376.2000

## Utah

Salt Lake City  
E. L. Tel: 801.264.8050

## Wisconsin

Muskego  
R. A. Tel: 414.679.8250  
Saukville  
R. A. Tel: 414.268.1152

# Sales Offices and Design Resource Centers

---

**LSI Logic Corporation**  
**Corporate Headquarters**  
Tel: 408.433.8000  
Fax: 408.433.8989

## **NORTH AMERICA**

**California**  
Costa Mesa - Mint Technology  
Tel: 949.752.6468  
Fax: 949.752.6868

Irvine  
◆ Tel: 949.809.4600  
Fax: 949.809.4444

Pleasanton Design Center  
Tel: 925.730.8800  
Fax: 925.730.8700

San Diego  
Tel: 858.467.6981  
Fax: 858.496.0548

Silicon Valley  
◆ Tel: 408.433.8000  
Fax: 408.954.3353

Wireless Design Center  
Tel: 858.350.5560  
Fax: 858.350.0171

**Colorado**  
Boulder  
◆ Tel: 303.447.3800  
Fax: 303.541.0641

Colorado Springs  
Tel: 719.533.7000  
Fax: 719.533.7020

Fort Collins  
Tel: 970.223.5100  
Fax: 970.206.5549

**Florida**  
Boca Raton  
Tel: 561.989.3236  
Fax: 561.989.3237

**Georgia**  
Alpharetta  
Tel: 770.753.6146  
Fax: 770.753.6147

**Illinois**  
Oakbrook Terrace  
Tel: 630.954.2234  
Fax: 630.954.2235

**Kentucky**  
Bowling Green  
Tel: 270.793.0010  
Fax: 270.793.0040

**Maryland**  
Bethesda  
Tel: 301.897.5800  
Fax: 301.897.8389

**Massachusetts**  
Waltham  
◆ Tel: 781.890.0180  
Fax: 781.890.6158

Burlington - Mint Technology  
Tel: 781.685.3800  
Fax: 781.685.3801

**Minnesota**  
Minneapolis  
◆ Tel: 612.921.8300  
Fax: 612.921.8399

**New Jersey**  
Red Bank  
Tel: 732.933.2656  
Fax: 732.933.2643

Cherry Hill - Mint Technology  
Tel: 609.489.5530  
Fax: 609.489.5531

**New York**  
Fairport  
Tel: 716.218.0020  
Fax: 716.218.9010

**North Carolina**  
Raleigh  
Tel: 919.785.4520  
Fax: 919.783.8909

**Oregon**  
Beaverton  
Tel: 503.645.0589  
Fax: 503.645.6612

**Texas**  
Austin  
Tel: 512.388.7294  
Fax: 512.388.4171

Plano  
◆ Tel: 972.244.5000  
Fax: 972.244.5001

Houston  
Tel: 281.379.7800  
Fax: 281.379.7818

**Canada**  
**Ontario**  
Ottawa  
◆ Tel: 613.592.1263  
Fax: 613.592.3253

## **INTERNATIONAL**

**France**  
Paris  
**LSI Logic S.A.**  
**Immeuble Europa**  
◆ Tel: 33.1.34.63.13.13  
Fax: 33.1.34.63.13.19

**Germany**  
Munich  
◆ **LSI Logic GmbH**  
Tel: 49.89.4.58.33.0  
Fax: 49.89.4.58.33.108

Stuttgart  
Tel: 49.711.13.96.90  
Fax: 49.711.86.61.428

**Italy**  
Milano  
**LSI Logic S.P.A.**  
◆ Tel: 39.039.687371  
Fax: 39.039.6057867

**Japan**  
Tokyo  
**LSI Logic K.K.**  
◆ Tel: 81.3.5463.7821  
Fax: 81.3.5463.7820

Osaka  
◆ Tel: 81.6.947.5281  
Fax: 81.6.947.5287

**Korea**  
Seoul  
**LSI Logic Corporation of Korea Ltd**  
Tel: 82.2.528.3400  
Fax: 82.2.528.2250

**The Netherlands**  
Eindhoven  
**LSI Logic Europe Ltd**  
Tel: 31.40.265.3580  
Fax: 31.40.296.2109

**Singapore**  
Singapore  
**LSI Logic Pte Ltd**  
Tel: 65.334.9061  
Fax: 65.334.4749

Tel: 65.835.5040  
Fax: 65.732.5047

**Sweden**  
Stockholm  
**LSI Logic AB**  
◆ Tel: 46.8.444.15.00  
Fax: 46.8.750.66.47

**Taiwan**  
Taipei  
**LSI Logic Asia, Inc.**  
**Taiwan Branch**  
Tel: 886.2.2718.7828  
Fax: 886.2.2718.8869

**United Kingdom**  
Bracknell  
◆ **LSI Logic Europe Ltd**  
Tel: 44.1344.426544  
Fax: 44.1344.481039

◆ Sales Offices with  
Design Resource Centers



# International Distributors

---

## Australia

New South Wales  
◆ **Reptechnic Pty Ltd**  
Tel: 612.9953.9844  
Fax: 612.9953.9683

## Belgium

**Acal nv/sa**  
Tel: 32.2.7205983  
Fax: 32.2.7251014

## China

Beijing  
**LSI Logic International Services Inc.**  
Tel: 86.10.6804.2534  
Fax: 86.10.6804.2521

## France

Rungis Cedex  
**Azzurri Technology France**  
Tel: 33.1.41806310  
Fax: 33.1.41730340

## Germany

Haar  
**EBV Elektronik**  
Tel: 49.89.4600980  
Fax: 49.89.46009840

## Munich

**Avnet Emg GmbH**  
Tel: 49.89.45110102  
Fax: 49.89.42.27.75

## Wuennenberg-Haaren

**Peacock AG**  
Tel: 49.2957.79.1692  
Fax: 49.2957.79.9341

## Hong Kong

Hong Kong  
**AVT Industrial Ltd**  
Tel: 852.2428.0008  
Fax: 852.2401.2105

## EastEle

Tel: 852.2798.8860  
Fax: 852.2305.0640

## India

Bangalore  
**Spike Technologies India Private Ltd**  
◆ Tel: 91.80.664.5530  
Fax: 91.80.664.9748

## Israel

Tel Aviv  
**Eastronics Ltd**  
Tel: 972.3.6458777  
Fax: 972.3.6458666

## Japan

Tokyo  
**Global Electronics Corporation**  
Tel: 81.3.3260.1411  
Fax: 81.3.3260.7100  
Technical Center  
Tel: 81.471.43.8200

## Yokohama-City

**Macnica Corporation**  
Tel: 81.45.939.6140  
Fax: 81.45.939.6141

## The Netherlands

Eindhoven  
**Acal Nederland b.v.**  
Tel: 31.40.2.502602  
Fax: 31.40.2.510255

## Switzerland

Brugg  
**LSI Logic Sulzer AG**  
Tel: 41.32.3743232  
Fax: 41.32.3743233

## Taiwan

Taipei  
**Avnet-Mercuries Corporation, Ltd**  
Tel: 886.2.2516.7303  
Fax: 886.2.2505.7391

## Lumax International Corporation, Ltd

Tel: 886.2.2788.3656  
Fax: 886.2.2788.3568

## Prospect Technology Corporation, Ltd

Tel: 886.2.2721.9533  
Fax: 886.2.2773.3756

## Serial Semiconductor Corporation, Ltd

Tel: 886.2.2579.5858  
Fax: 886.2.2570.3123

## United Kingdom

M Maidenhead  
**Azzurri Technology Ltd**  
Tel: 44.1628.826826  
Fax: 44.1628.829730

## Swindon

**EBV Elektronik**  
Tel: 44.1793.849933  
Fax: 44.1793.859555

◆ Sales Offices with Design Resource Centers

