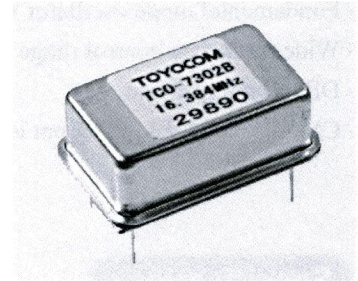


Product Data (VCXO)

TCO-7302 Series

Features

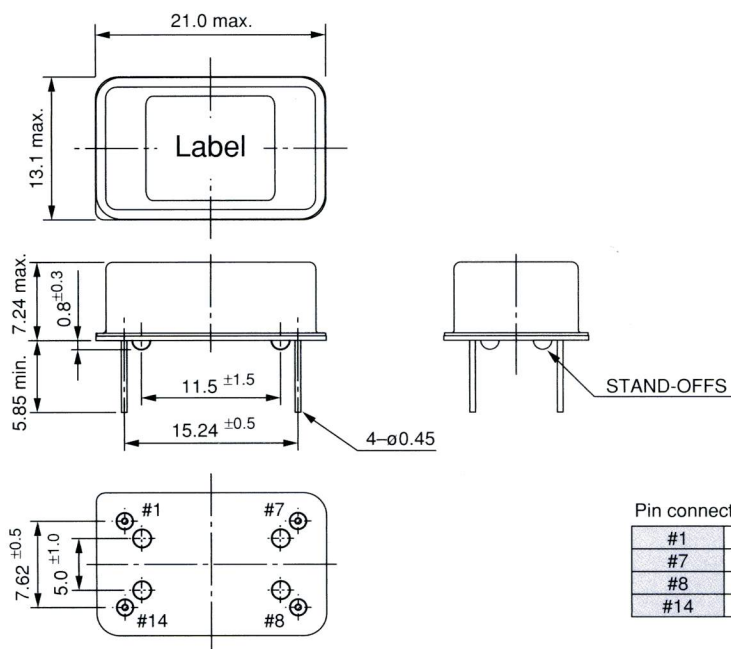
- TTL or CMOS output
- DIP-14 pin package



Specifications

Type	TCO-7302A	TCO-7302B	TCO-7302C
Standard frequency	12.288, 16.384, 24.576, 32.768, 44.736, 51.84 MHz		
Supply voltage	+5 V±5%		+3.3 V±5%
Supply current	30 mA Max.		
Output level	TTL compatible / Fanout-2	CMOS / 15 pF Max.	
Frequency stability	vs Temperature ±30 ppm Max. / -20 to +70°C (referred to ±25°C)		
	vs Supply voltage ±5 ppm Max. / +5 V±5%		±5 ppm Max. / +3.3 V±5%
	Aging ±5 ppm Max. / year		
Frequency control range	±100 ppm Min. / +2.5 V±2 V		±100 ppm Min. / +1.65 V±1.65 V
Frequency range	8 to 52 MHz		

External Dimensions [mm]



Pin connections

#1	Vcont
#7	GND/case
#8	Output
#14	Vcc