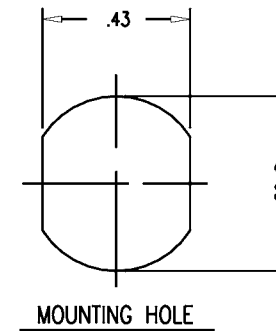
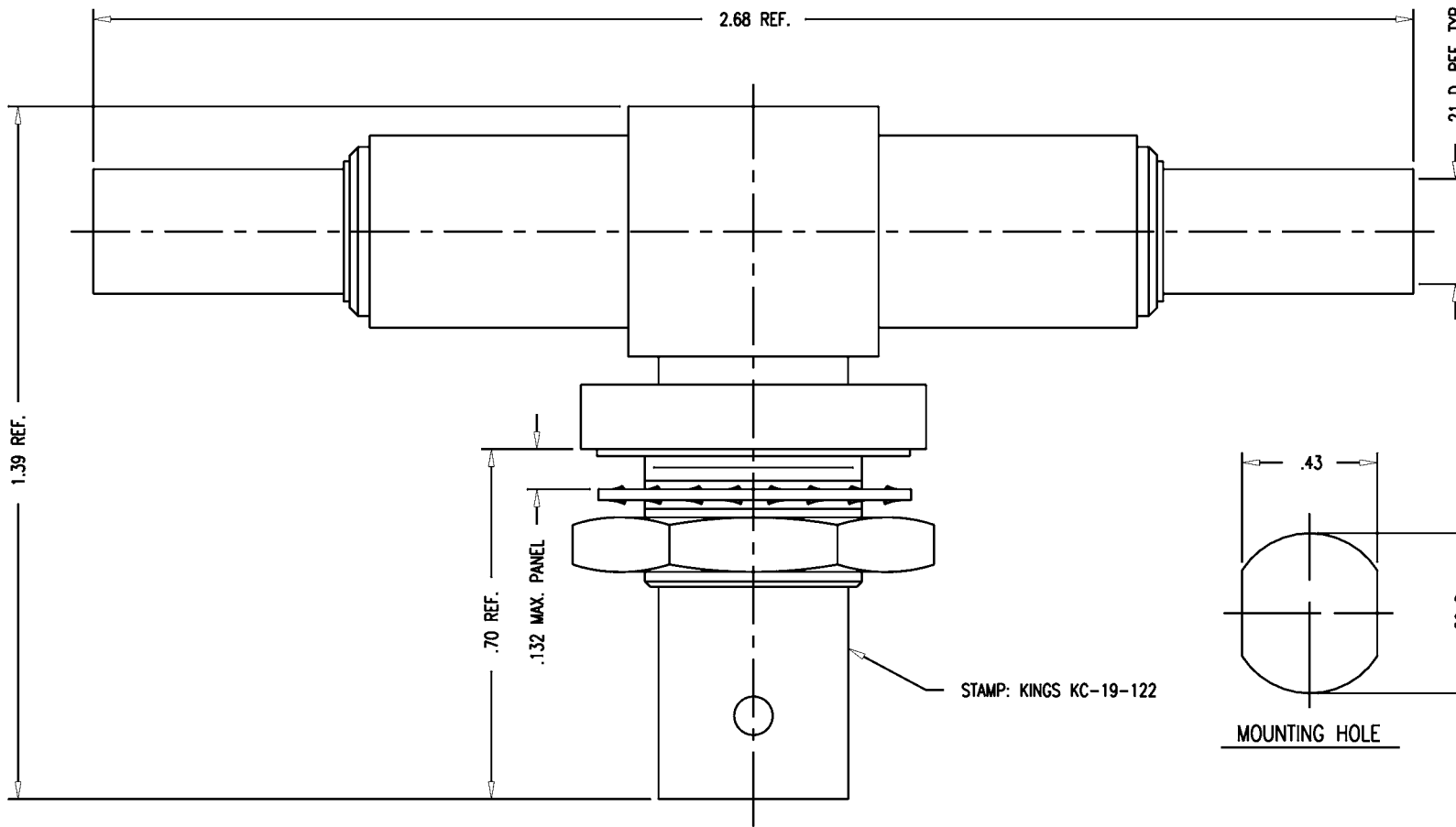


GSD

KC-19-122



STAMP: KINGS KC-19-122

NOTES:

1. FOR USE WITH RG-58, 58A, 58C & 141A/U CABLE.
2. FOR CABLING INSTRUCTIONS SEE CP-401.
3. FOR CABLE TRIMMING USE KTJ-57 & KTD-25.
4. FOR CRIMPING USE DIE KTH-2001.
5. MATERIALS:
 INSULATORS: TEFLON, ASTM-D-1457
 GASKET: SIL. RUB., ZZ-R-765
 CENTER CONTACTS: BER. COP., ASTM-B-196
 K-GRIP SLEEVE: COM. BRONZE TUBE, ALLOY 220
 LOCKWASHER: PHOS. BRONZE, QQ-B-750
 ALL OTHER PARTS: BRASS, ASTM-B16

6. FINISHES:

ALL METAL PARTS: SILVER PLATE PER QQ-S-365

7. ELECTRICAL CHARACTERISTICS:

NOMINAL IMPEDANCE: 50 OHMS
 VOLTAGE RATING: 500 VRMS
 FREQUENCY RANGE: DC TO 4 GHz

REVISIONS

ISSUE	CHANGES
10	CN 33610 E REDRAWN JCA 01/06/92

JCA2332

SCALE	4:1		
APPROX SURFACE AREA			
USED ON			
REF:			
JACK, BULKHEAD, TEE, BNC			
DRAWN	JCA	DATE	01/06/92
DESIGN	MJB	DATE	01/07/92
APPR.		DATE	

KINGS
 ELECTRONICS CO., INC.
 TUCKAHOE, NEW YORK 10707

KC-19-122

GSD