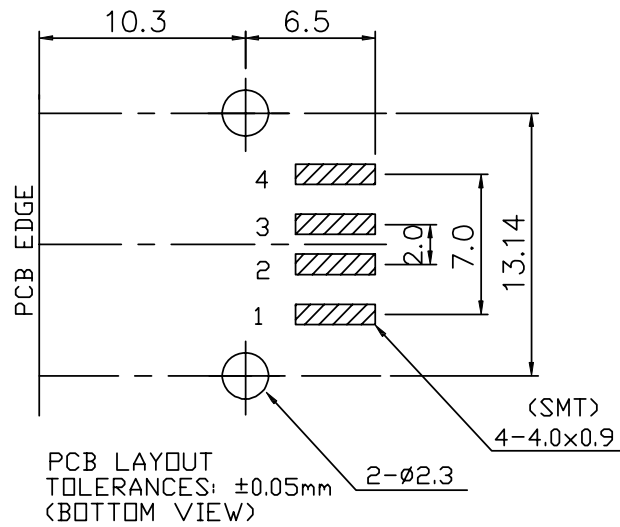
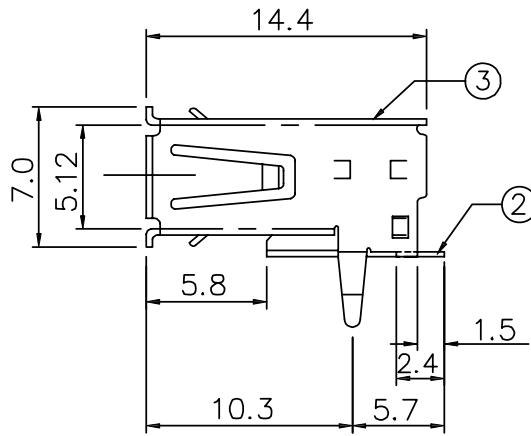
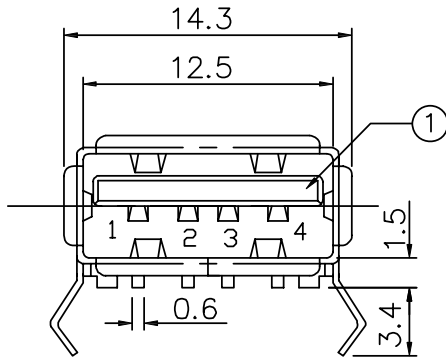


RevNo	Revision note	Date	Signature	Checked
A	ORIGINAL	03-08-10		



**SPECIFICATION**

**MATERIAL:**  
 Insulator: PA9T  
 Contact: Rhosphor Bronze  
 Shell: Brass  
 Shell Plating: 80u"~120u" Nickel


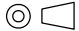
**CONTACT PLATING**  
 Underplate: 40u"~60u" Nickel  
 Contact Area: 1u"~30u" Selective Gold  
 Solder Tails Area: 120u" Tin/Lead or 120u" Tin/Lead Free

**ELECTRICAL**  
 Current Rating: 1 A Max.  
 Contact Resistance: 30 mohms Max.  
 Insulation Resistance: 1000 Mohms Min @ 500 VDC  
 Dielectric Withstanding Voltage: 750 VAC / minute  
 Operating Temperature: -55°C~+85°C

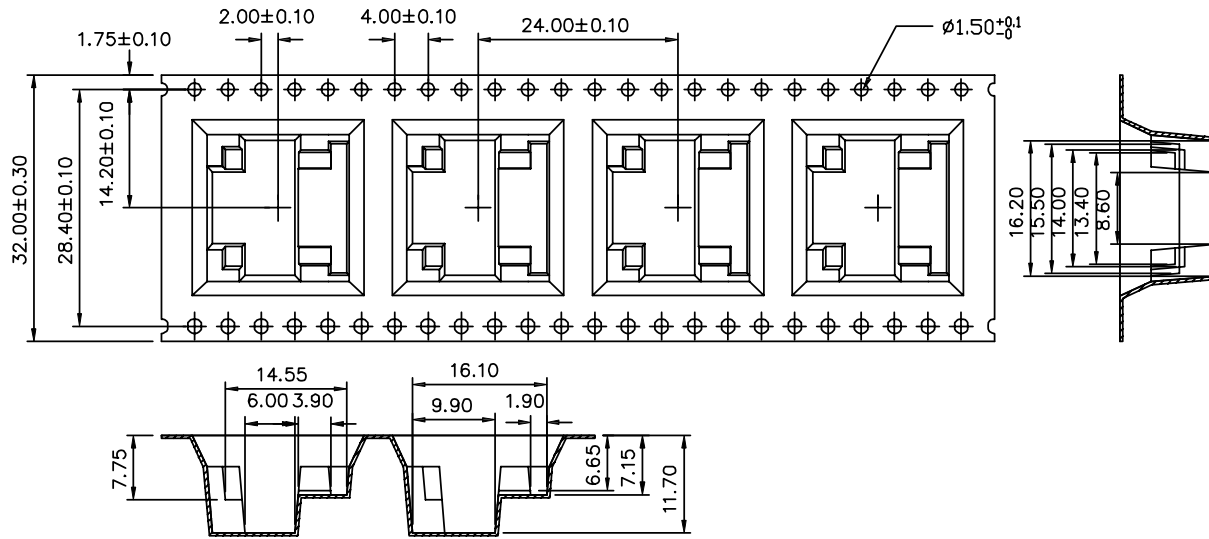
**PART NO.**

USB-  $\frac{317}{1}$   $\frac{D}{2}$   $\frac{X}{3}$   $\frac{04}{4}$   $\frac{P}{5}$   $\frac{X}{6}$   $\frac{A}{7}$   $\frac{0}{8}$   $\frac{A}{9}$   $\frac{X}{10}$   $\frac{X}{11}$


- |  |  |
|--|--|
| 1.SERIES NO.   | 7.TYPE OPTION:<br>A=A Type                         |
| 2.TYPE: D=SMT  | 8.FILL IT WITH "0"                                 |
| 3.ENVIRONMENT PROTECTION MATERIAL:<br>--=General<br>E=RoHS   | 9.FILL IT WITH "A"                                 |
| 4.CONTACT NUMBER:<br>04  | 10.FUNCTION<br>0=Standard<br>2=Standard(Tape Reel) |
| 5.CONTACT TYPE:<br>P=Female  | 11.INSULATOR COLOR<br>1=White<br>3=Black           |
| 6.CONTACT AREA PLATING:<br>S=1u" Gold Gold<br>A=5u" Gold (Selective)<br>C=15u" Gold (Selective)<br>D=30u" Gold (Selective) |  |

GENERAL TOLERANCES ( UNLESS SPECIFIED ) DIMENSION STYLE : MM ( INCH )		FINISH SEE NOTES			
		MATERIAL SEE NOTES			
4 PLACES	± --- ± ---	DRAWN BY	DATE	TITLE USB SMT TYPE, FEMALE, R/A, 4P	
3 PLACES	± 0.2 ± ---	REMY	03-08-10	SIZE	A4
2 PLACES	± 0.3 ± ---	CHECKED BY	DATE	DRAWING NO.	
1 PLACES	± 0.5 ± ---	CARDL	03-08-10	USB-317DX04PXA0AXX	
0 PLACES	± --- ± ---	APPROVED BY	DATE	SCALE	SHEET
ANGULAR ± 5		---		NONE	1 OF 2
 THIRD ANGLE PROJECTION				REV.	A

1. 10 sprocket hole pitch cumulative tolerance  $\pm 0.20$ .
2. Carrier camber is within 1 mm in 250 mm.
3. Material : Black Conductive Polystyrene Alloy.
4. All dimensions meet EIA-481-C requirements.
5. Thickness :  $0.50 \pm 0.05$ mm.
6. Packing length per 22" reel : 15.0Meters.
7. Component load per 13" reel : 180 pcs.5.0M.



W	$32.00 \pm 0.30$
A0	$14.55 \pm 0.10$
B0	$13.40 \pm 0.10$
K0	$11.70 \pm 0.10$
K1	$7.75 \pm 0.10$

GENERAL TOLERANCES ( UNLESS SPECIFIED )		FINISH SEE NOTES			
DIMENSION STYLE : MM ( INCH )		MATERIAL SEE NOTES			
	MM	INCH	DRAWN BY	DATE	TITLE
4 PLACES	$\pm 0.2$	$\pm 0.008$	REMY	03-08-10	USB SMT TYPE, FEMALE, R/A, 4P
3 PLACES	$\pm 0.3$	$\pm 0.012$	CHECKED BY	DATE	SIZE
2 PLACES	$\pm 0.5$	$\pm 0.020$	CARDL	03-08-10	A4
1 PLACES	$\pm 1.0$	$\pm 0.040$	APPROVED BY	DATE	DRAWING NO.
0 PLACES	$\pm 1.5$	$\pm 0.060$	---	---	USB-317DX04PXA0AXX
ANGULAR $\pm 5$		THIRD ANGLE PROJECTION		SCALE	SHEET
				NONE	2 OF 2
					REV.
					A