

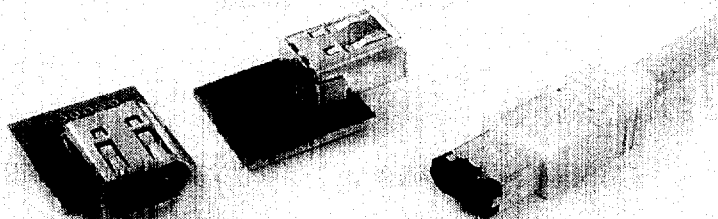
## New Products

# IEEE 1394 CONNECTORS FOR HIGH SPEED SERIAL BUS



## HSB SERIES CONNECTOR

P-HSB-E01



The IEEE 1394 Serial Bus is a high performance serial bus that will allow increased transmission speeds for multi-media applications. DDK offers an entire family of external I/O connectors that meet the IEEE 1394 standard.

■ **APPLICATIONS** : Computers, Disk drivers, Printers, Scanners, Camcorders, Video cassette recorders, Digital cameras, Stereos, Host adapter cards, and other multi-media devices.

### ■ FEATURES

- High speed serial bus connector design for multi-media applications.
- Data transmission rates of 100, 200 Mbps.
- 6 reliable ribbon style contacts, 2 pair signal and 2 power and ground.
- Fully shielded design features protection from electrostatic discharge.
- Power and ground contacts feature a premating design for circuit protection.
- Hot pluggable for plug and play applications.



### SALES OFFICES

DDK Ltd. (JAPAN)		
MOKA, JAPAN	Tel. 0285-84-7861	Fax. 0285-82-9036
HONG KONG	Tel. 2369-7028	Fax. 2369-7392
SINGAPORE	Tel. 271-1151	Fax. 271-2345
DDK ELECTRONICS, INC. (U.S.A.)		
SANTA CLARA, CALIFORNIA	Tel. 408-980-8344	Fax. 408-980-9750
TORONTO LIAISON, CANADA	Tel. 905-470-1346	Fax. 905-470-1479
DDK ELECTRONICS(EUROPE)LTD.(LONDON)	Tel. 01959-5-61224	Fax. 01959-5-61034
DDK (THAILAND) LTD.	Tel. 02-529-1428	Fax. 02-529-2180

## ■ SPECIFICATIONS

- Rated voltage . . . . . 30V AC(r.m.s)
- Rated current . . . . . 1A / contact
- Dielectric withstanding  
voltage . . . . . 500V DC,1 minute
- Insulation resistance . . . . . 100 megohms min. at 500V DC.
- Contact resistance . . . . . 30 milliohms max.

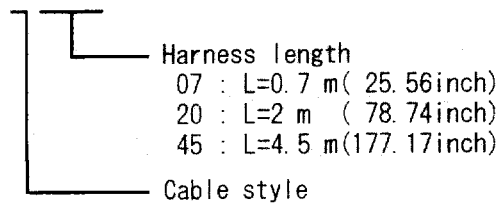
## ■ MATERIALS / FINISHES

- Contact . . . . . Copper alloy / Mating area:0.76 μ m(30 μ inch) Gold over Nickel plating  
Tail area : Tin-lead plating
- Insulator . . . . . PBT or PA resin / (UL94V-0) color black
- Shell . . . . . Copper alloy or Steel / Tin-lead plating

## ■ PART NUMBERING CODE

### PLUG HARNESS

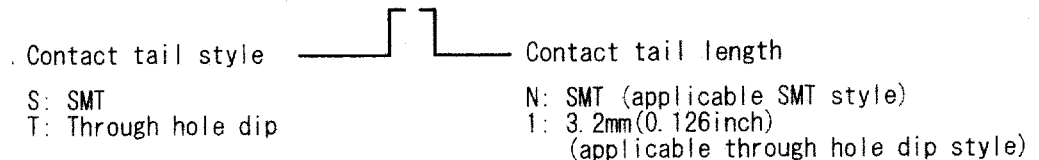
HSB-HAA-AXX



A :Jacket 6.1mm(0.240inch) dia. color Gray  
B :Jacket 5.2mm(0.205inch) dia. color Gray

### RECEPTACLE

HSB-ARA62-SN15A



# DIMENSIONS

P-HSB-E01

## PLUG HARNESS

UNIT:mm(inch)

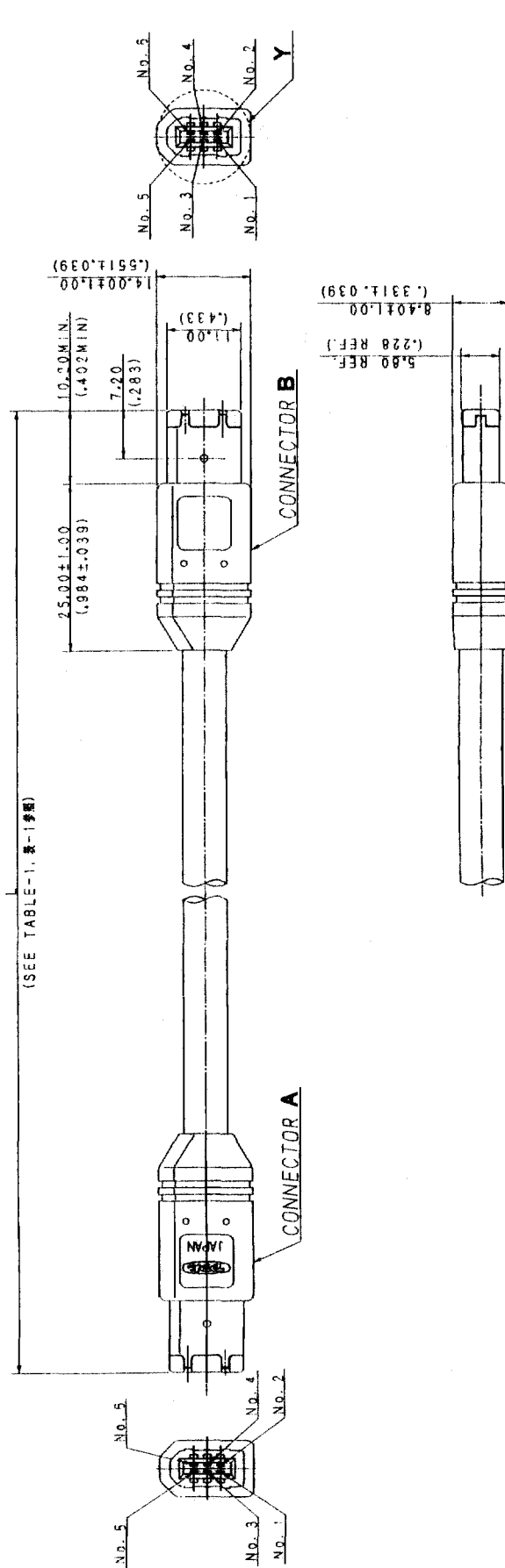


TABLE-2 (APPLICABLE CABLE)  
表-2 (適用ケーブル)

PART NAME (品名)	SIGNAL (信号線)	WIRE SIZE (ワイヤサイズ)	POWER (電源線)	CABLE COLOR (ケーブルの色)	CABLE FINISH (ケーブル仕上げ)
HSB-HAA-Axx	4/2PAIR AWG #28 STRANDED WIRE	AWG #28 STRANDED WIRE	2 AWG #22 STRANDED WIRE	GRAY	6.1 DIA.
HSB-HAA-Bxx	4/2PAIR AWG #28 STRANDED WIRE	AWG #28 STRANDED WIRE	2 AWG #22 STRANDED WIRE	GRAY	5.2 DIA.

TABLE-1 (HARNESS LENGTH)  
表-1 (ハーネス長)

PART NAME (品名)	L
HSB-HAA-x07	0.740.03 meter (27.559±1.181 inch)
HSB-HAA-x20	2.0±0.06 meter (78.740±2.362 inch)
HSB-HAA-x45	4.5±0.39 meter (177.165±1.811 inch)

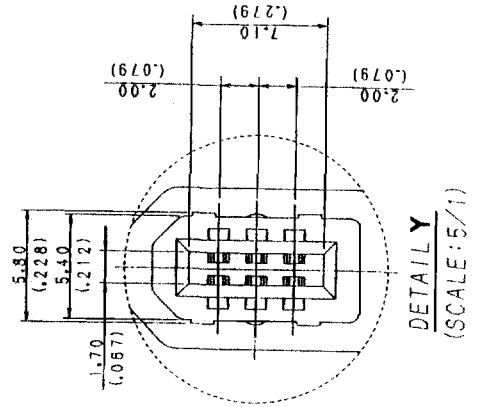
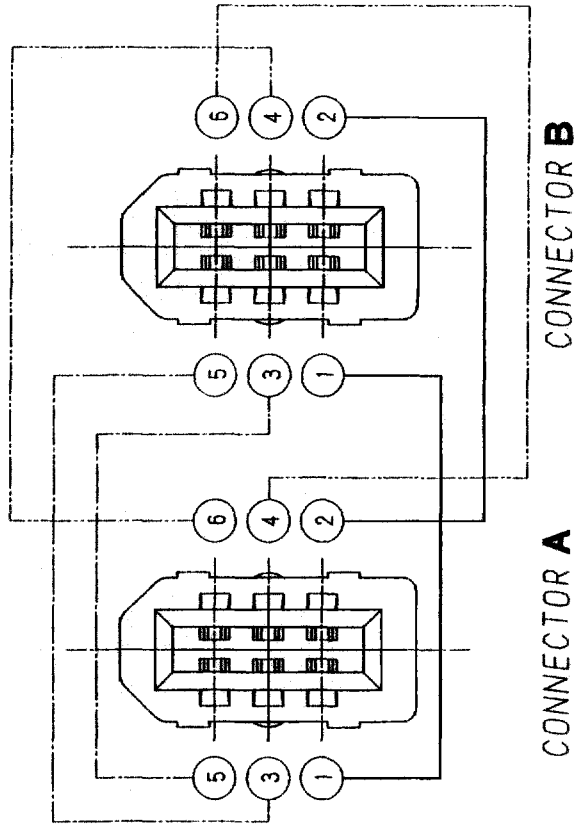


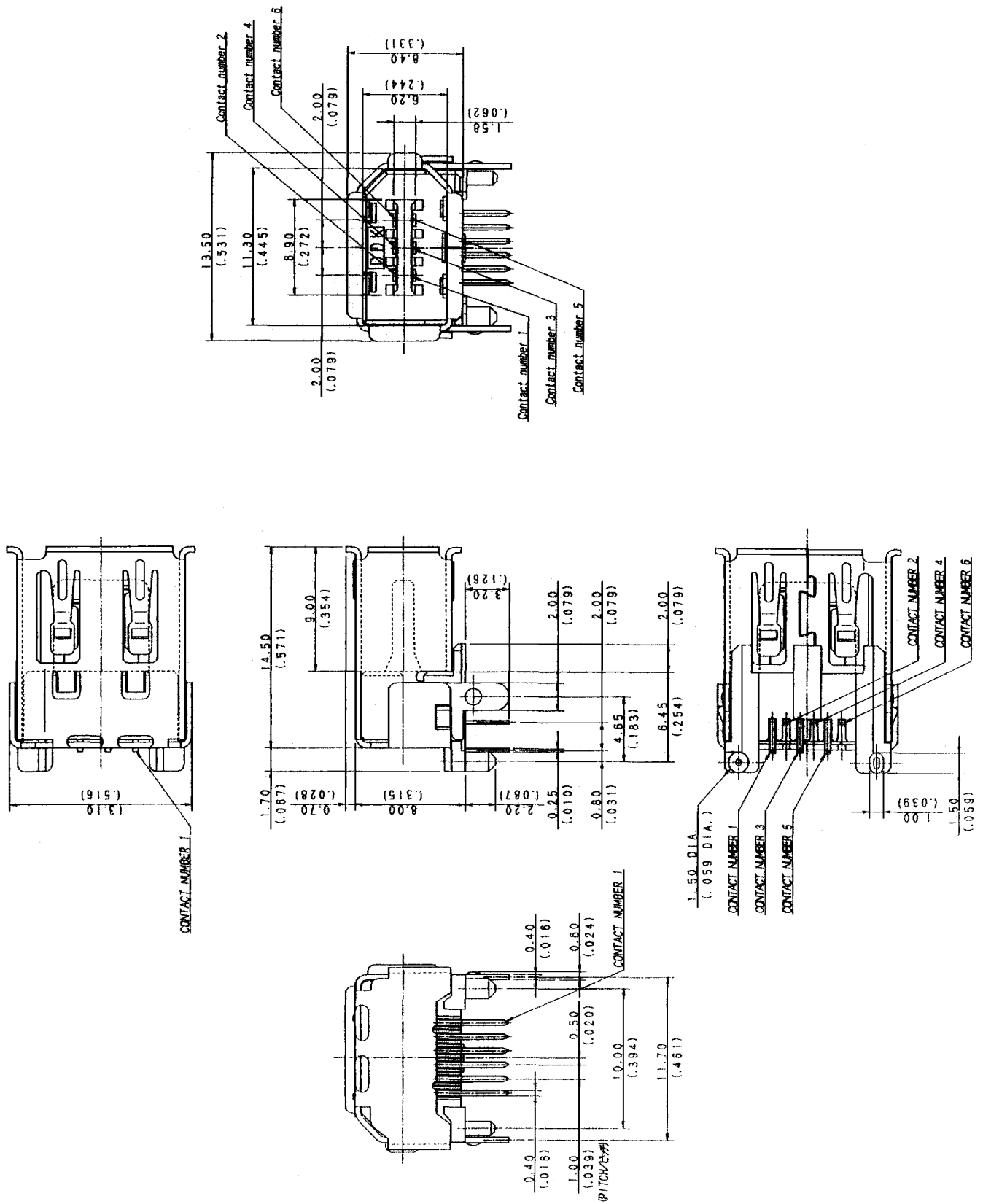
TABLE-3 (WIRING STRUCTURE)  
表-3 (配線表)

CONNECTOR A CONTACT NUMBER	SIGNAL	WIRE COLOR	CONNECTOR B CONTACT NUMBER
1	VP	WHITE	1
2	VG	BLACK	2
3	TPB*	RED	5
4	TPB	GREEN	6
5	TPA*	ORANGE	3
6	TPA	BLUE	4
OUTER SHIELD			OUTER SHIELD

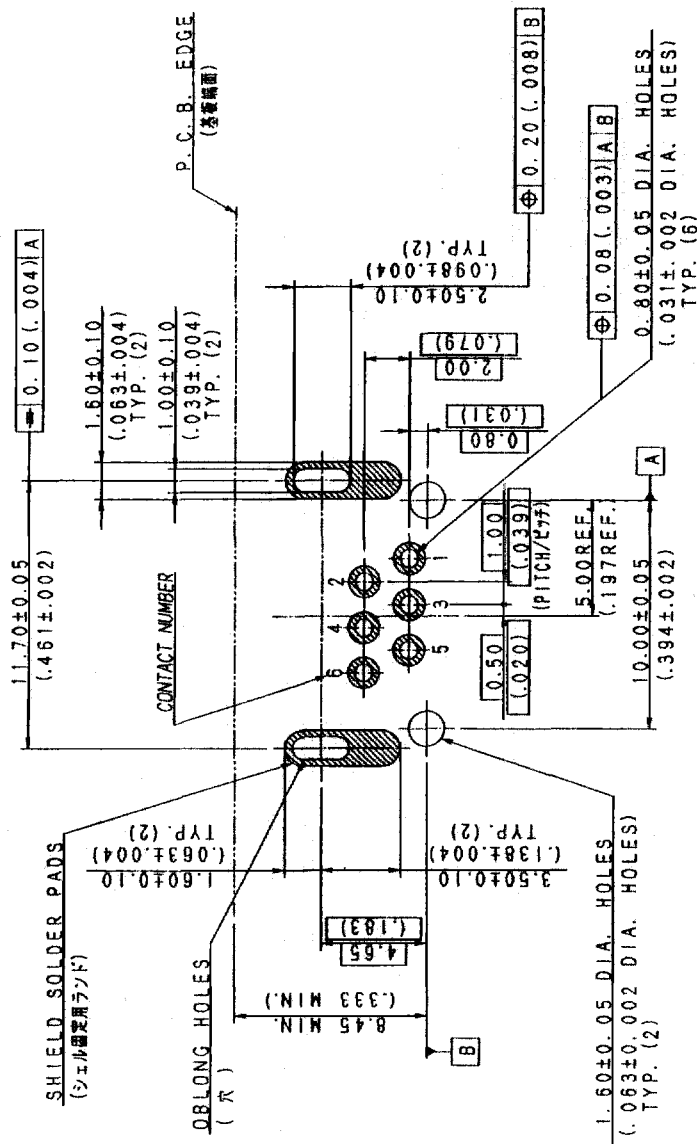


RECEPTACLE

TAIL THROUGH HOLE DIP



UNIT:mm(inch)



P.C.B. MOUNTING DIMENSIONS (REFERENCE)  
(基板取り付け参考寸法図)

(CONNECTOR MOUNTING SIDE VIEW)  
(コネクタ搭載面から見た図)

RECOMMENDED P.C.B. THICKNESS (推奨基板厚さ)

t=1.60±0.19  
(.063±.007)



