

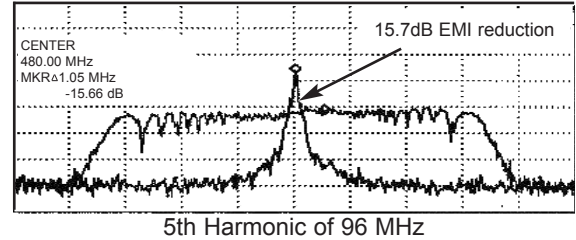
5.0VDC or 3.3VDC • 8 PIN DIP • HCMOS/ TTL

LOW EMI SPREAD SPECTRUM CRYSTAL CLOCK OSCILLATORS

ACSD and ACSDL

FEATURES:

- Integrated Spread Spectrum technology
- Standard TTL or HCMOS output.
- Meets clock jitter requirements for all major CISC, RISC and DSP processors
- Wide frequency range from 4 MHz to 128 MHz.



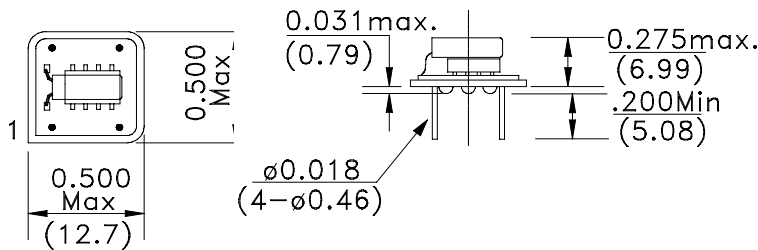
APPLICATIONS:

- Medical
- Printers
- Scanners
- Modems
- Telecommunications
- Aerospace
- Copier
- Automotive

ADDITIONAL BENEFITS:

- Reduce emissions up to 20 dB.
- Systemic approach to EMI.
- Highly cost effective compared to other methods.
- Eliminate need for individual node suppression.
- Eliminate need for expensive shielding.
- Reduce component count.
- Reduce PCB layer count.
- Drop-in replacement for 8 pin DIP packages.

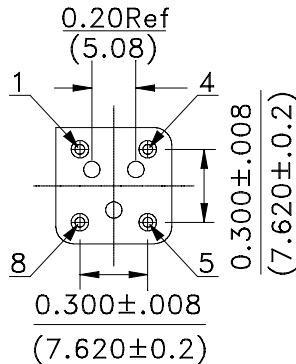
MECHANICAL DIMENSIONS:



PIN CONFIGURATION:

Pin Number	Function
1	NC
4	GND
5	OUTPUT
8	VDC

Table 1



Dimensions: Inches (mm)

ABRACON IS
ISO 9001 / QS 9000
CERTIFIED

Rev. 2.4

NOTE: Left blank if standard • All specifications and markings subject to change without notice

29 Journey • Aliso Viejo, CA 92656 • USA

(949) 448-7070 • FAX: (949) 448-8484

E-MAIL: abinfo@abracon.com • INTERNET ADDRESS: www.abracon.com



05/2003

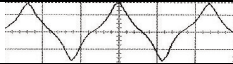
LOW EMI SPREAD SPECTRUM CRYSTAL CLOCK OSCILLATORS

ACSD and ACSDL

Table 2

STANDARD ELECTRICAL SPECIFICATIONS			
PARAMETER	ACSD	ACSDL	Conditions
Frequency Range (Fo)	4.000 MHz – 128.000 MHz		
Operating Temperature (Topr)	-40°C to +85°C (See Ordering Options)		
Storage Temperature (Tsto)	- 65°C to +150°C		
Frequency Stability vs. Temp (dF/Fo)	±100ppm max. (See Ordering Options)		
Operating Supply Voltage (VDC)	5.0 VDC	3.3 VDC	+/- 5 %
Operating Input Current (IDD)	30 mA max		
Duty Cycle	45/55		% max
Rise Time	5.0 ns.	3.5 ns.	15 pF
Fall Time	5.0 ns.	3.5 ns.	15 pF
Output Voltage (VOH/VOL)	3.0VDC min. / 0.4 VDC max.		+25°C
Start-up Time	10 ms max. 3 ms typ.		
Aging	+/- 5ppm max. /year		
Jitter (CCJ1)	625 ps typical		F = 4 MHz
Jitter (CCJ2)	225 ps typical		F = 8 MHz
Jitter (CCJ3)	125 ps typical		F = 32 MHz
Jitter (CCJ4)	135 ps typical		F = 64 MHz
Jitter (CCJ5)	180 ps typical		F = 128 MHz
Output Load	10-LSTTL or 15 pF		
Bandwidth Accuracy	+/- 10%		

Table 3

FACTORY BANDWIDTH SELECTION									
FREQ. (MHz)	CENTER SPREAD (%)				DOWN SPREAD (%)				MODULATION RATE (kHz)
ORDER OPTION	C1	C2	C3	C4	D1	D2	D3	D4	
4 - 5	±1.4	±1.2	±0.6	±0.5	-3.0	-2.2	-1.9	-0.7	31.25 – 39.06 kHz
5 - 6	±1.3	±1.1	±0.5	±0.4	-2.7	-1.9	-1.7	-0.6	39.06 – 46.88 kHz
6 - 7	±1.2	±0.9	±0.5	±0.4	-2.5	-1.8	-1.5	-0.6	46.88 – 54.69 kHz
7 - 8	±1.1	±0.9	±0.4	±0.3	-2.3	-1.7	-1.4	-0.5	54.69 – 62.50 kHz
8 - 10	±1.4	±1.2	±0.6	±0.5	-3.0	-2.2	-1.9	-0.7	31.25 – 39.06 kHz
10 - 12	±1.3	±1.1	±0.5	±0.4	-2.7	-1.9	-1.7	-0.6	39.06 – 46.88 kHz
12 - 14	±1.2	±0.9	±0.5	±0.4	-2.5	-1.8	-1.5	-0.6	46.88 – 54.69 kHz
14 - 16	±1.1	±0.9	±0.4	±0.3	-2.3	-1.7	-1.4	-0.5	54.69 – 62.50 kHz
16 - 20	±1.4	±1.2	±0.6	±0.5	-3.0	-2.2	-1.9	-0.7	31.25 – 39.06 kHz
20 - 24	±1.3	±1.1	±0.5	±0.4	-2.7	-1.9	-1.7	-0.6	39.06 – 46.88 kHz
24 - 28	±1.2	±0.9	±0.5	±0.4	-2.5	-1.8	-1.5	-0.6	46.88 – 54.69 kHz
28 - 32	±1.1	±0.9	±0.4	±0.3	-2.3	-1.7	-1.4	-0.5	54.69 – 62.50 kHz
32 - 40	±1.4	±1.2	±0.6	±0.5	-3.0	-2.2	-1.9	-0.7	31.25 – 39.06 kHz
40 - 48	±1.3	±1.1	±0.5	±0.4	-2.7	-1.9	-1.7	-0.6	39.06 – 46.88 kHz
48 - 56	±1.2	±0.9	±0.5	±0.4	-2.5	-1.8	-1.5	-0.6	46.88 – 54.69 kHz
56 - 64	±1.1	±0.9	±0.4	±0.3	-2.3	-1.7	-1.4	-0.5	54.69 – 62.50 kHz
64 - 80	±1.4	±1.2	±0.6	±0.5	-3.0	-2.2	-1.9	-0.7	31.25 – 39.06 kHz
80 - 96	±1.3	±1.1	±0.5	±0.4	-2.7	-1.9	-1.7	-0.6	39.06 – 46.88 kHz
96 - 112	±1.2	±0.9	±0.5	±0.4	-2.5	-1.8	-1.5	-0.6	46.88 – 54.69 kHz
112 - 128	±1.1	±0.9	±0.4	±0.3	-2.3	-1.7	-1.4	-0.5	54.69 – 62.50 kHz

ABRACON IS
ISO 9001 / QS 9000
CERTIFIED

NOTE: Left blank if standard • All specifications and markings subject to change without notice

29 Journey • Aliso Viejo, CA 92656 • USA
(949) 448-7070 • FAX: (949) 448-8484

E-MAIL: abinfo@abracon.com • INTERNET ADDRESS: www.abracon.com

ABRACON

CORPORATION

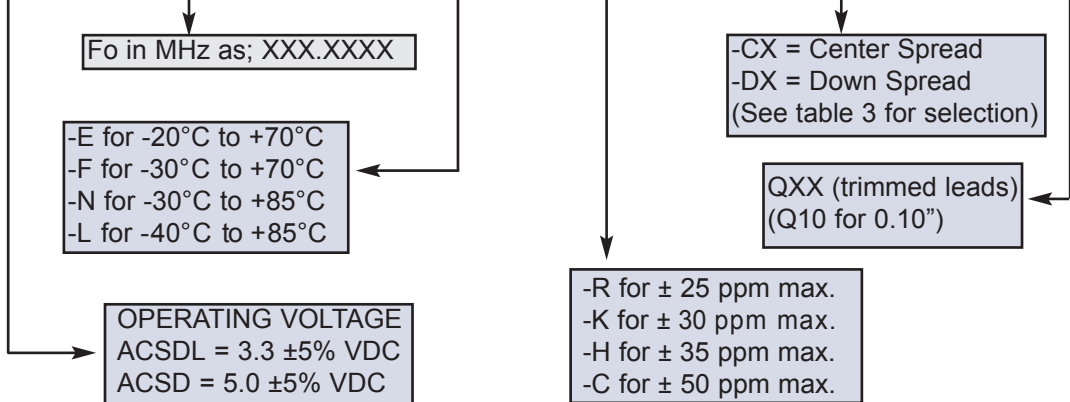
05/2003

LOW EMI SPREAD SPECTRUM CRYSTAL CLOCK OSCILLATORS

ACSD and ACSDL

ORDERING OPTIONS

ACSD(L) - FREQUENCY - TEMPERATURE - FREQ. STABILITY - BANDWIDTH - VALUE ADDED



Example: ACSD-48.0000-E-C-C4-T

Would be the part number for a 48.0000 MHz, ±0.4% center spread with a +/- 50ppm frequency accuracy.



Rev. 2.4

NOTE: Left blank if standard • All specifications and markings subject to change without notice

29 Journey • Aliso Viejo, CA 92656 • USA
(949) 448-7070 • FAX: (949) 448-8484

E-MAIL: abinfo@abracon.com • INTERNET ADDRESS: www.abracon.com



05/2003