

# OD-B1222-L21

## 1.25Gbps OLT Transceiver(2R) for PON system

### FEATURES

- Applied to OLT(Optical Line Termination) for Single Fiber Bi-directional transmission on PON System.
- **Compliant with ITU-T G.984.2 Class A and IEEE802.3ah 1000BASE-PX10-D applicable**
- Integrated 1.3/1.5 $\mu$ m WDM
- Single power supply voltage of 3.3V
- 1.25Gbps continuous-mode transmitter operating at wavelength of 1.5 $\mu$ m
- Shut down function (SHUTDOWN)
- 1.25Gbps burst-mode receiver operating at wavelength of 1.3 $\mu$ m
- 2R function (Reshaping, Regenerating)
- Instantaneous operation with 24 bits preamble
- 8 bits width reset pulse is required for circuit initialization (RESETIN)



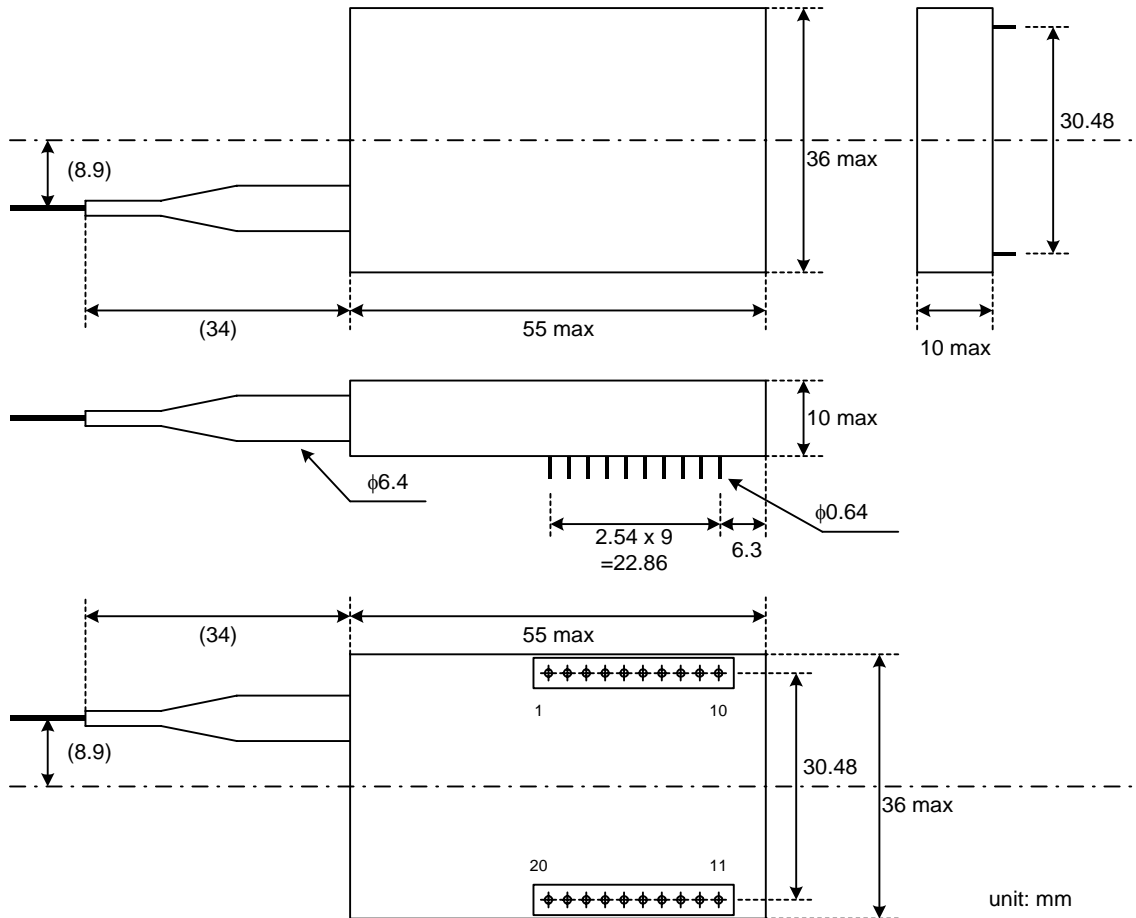
### OPERATING CONDITIONS

Parameter	Unit	Values		
		Min.	Typ.	Max.
Ambient Temperature	°C	0	–	+ 70
Power Supply Voltage	V	+ 3.135	+ 3.300	+ 3.465
Power Supply Current	mA	–	370	500

# PERFORMANCE

Parameter	Unit	OD-B1222-L21
Bit Rate	Mbps	1250
<b>TRANSMITTER (Burst-mode)</b>		
Center Wavelength	nm	1480 to 1500
Laser Diode type	—	DFB-LD
Spectral Width(-20dB)	nm	≤ 1
Mean Output Power	dBm	- 4 to +1
Extinction Ratio	dB	≥ 10
<b>RECEIVER (Continuous-mode)</b>		
Receive Wavelength	nm	1270 to 1360
Photo Detector	—	PIN-PD
2R Sensitivity	dBm	≤ - 25
2R Overload	dBm	≥ - 2

# DIMENSIONS (Unit:mm)



DATA SUBJECT TO CHANGE WITHOUT NOTICE

Sales Department, Fiber Optic Devices Division  
 Optical Network Operations Unit, NEC Networks  
 NEC Corporation  
 1753 Shimonumabe, Nakahara-ku, Kawasaki, Kanagawa 211-8666, Japan  
 Tel: +81-44-435-5412 Fax: +81-44-435-5109

<http://networks.nec.co.jp/on/dd/en/>

EWV-19-0064-P2E September 2003

Copyright © 2003 NEC Corporation

NEC Electronics (Europe) GmbH  
 Sales and marketing of semiconductors across Europe  
 Oberratherstr. 4, 40472 Dusseldorf, Germany  
 Tel: +49-211-6503-979 FAX: +49-211-6503-358

USA & CANADA  
 NEC FiberOptech, Inc.  
 10050 North Wolfe Road, Suite SW1-290 Cupertino, CA 95014, USA  
 Tel: +1-408-863-2000 Fax: +1-408-863-2019

