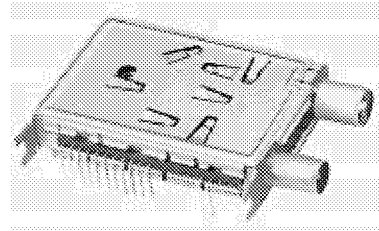


Type : **ET03DR**

Part No.: **ENV□□E□□D□**

Digital Tuner ET03DR is a high performance single conversion tuner for digital transmission (OFDM) receivers and equipment.

Advanced high frequency design technology and digital technology are used in this tuner.



Features

- Compact size, Vertical / Horizontal mounting available
- Low Phase Noise and High channel selectivity
- Built in RF Loop Through circuit (Optional)
- Base band Interface unit in cluding A / D converter (Optional)

Recommended Applications

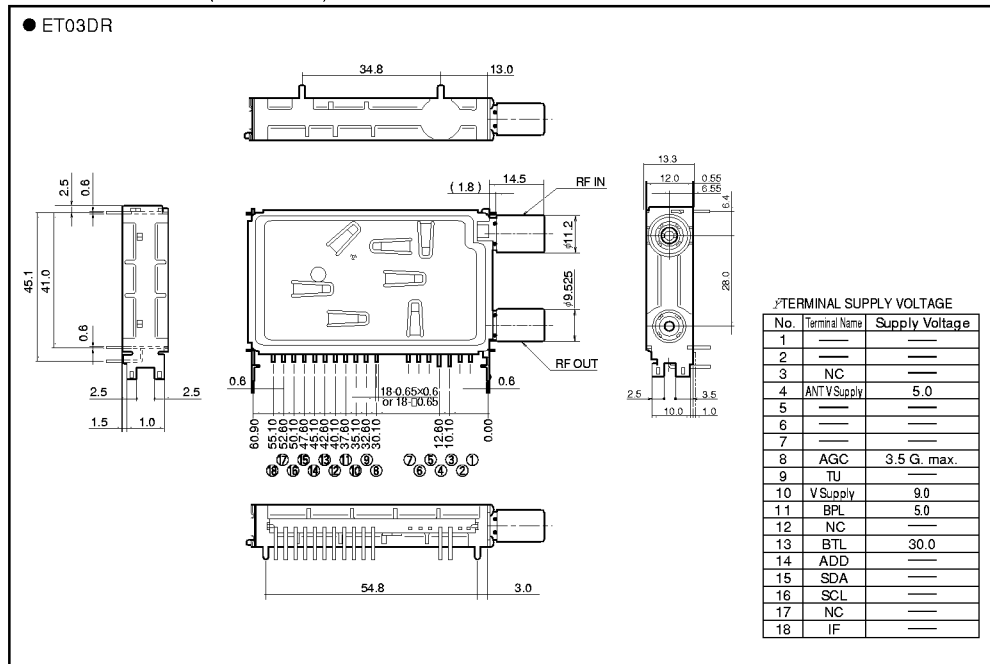
- OFDM data receivers, TV, VTR

■ Performance Specifications, Summary

| | U.K.Channel |
|----------------------------|--|
| 1. Input Frequency | ch. 21 to 69 (470 to 862 MHz) |
| 2. RF Input Impedance | 75 Ω Unbalanced |
| 3. Output Center Frequency | 36.15 MHz |
| 4. IF Output Impedance | 75 Ω Unbalanced |
| 5. Noise Figure | 9.5 dB max. |
| 6. Gain | 38 dB typ. |
| 7. Image Rejection | 45 dB min. |
| 8. Phase Noise | - 70 dBc / Hz typ. @0.2 to 2 kHz - 87 dBc / Hz typ. @10 kHz |
| 9. Supply Voltage | + 9 V : 70 mA typ. 90 mA max. + 5 V : 60 mA typ. 75 mA max. + 30 V : 1 mA typ. 3 mA max. |
| 10. PLL Interface | I ² C |

* European type available

■ Dimensions in mm (not to scale)



■ Block Diagram (ET03DR)

