

5

4

3

2

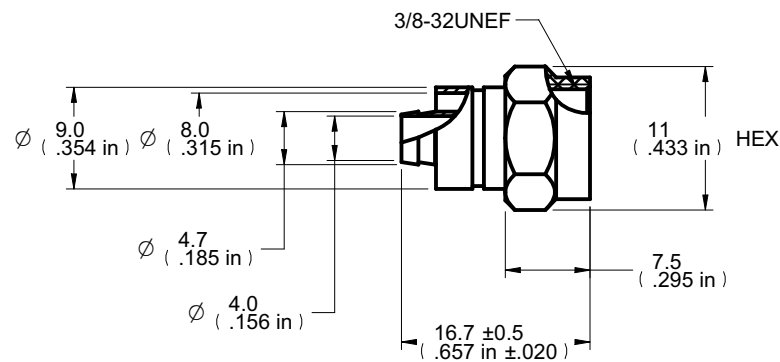
1

DRAWING NO.			
25-7050-CUST			
REVISIONS			
01	OFFICIAL RELEASE		
	08-21-09	Y U	Y U
		T H	
		Betty 2009.09.0 2009.16.11 +08'00'	

Description: F-59 With Attached 1/8 Ring
 Part No: 25-7050
 Application: For RG59 Cable
 Crimp Tool: 24-7710 or 24-8866P
 Impedance: 75 Ohms
 Frequency Range: 0-750 MHz
 Material: Body Brass Nickel plated
 Nut Zinc Nickel plated
 RoHS Compliance: Yes
 Technical Detail: Refer to Emerson Document P/N 25-0000



受控 CONTROLLED DOCUMENT					
编号 P/N	25-7050-CUST	版本 Rev	01	日期 Rel'd Date	SEP 14,09



DIM OUTLINE

CUSTOMER COPY

TOLERANCE UNLESS OTHERWISE SPECIFIED		DRAWN BY	DATE
DECIMALS	mm	BETTY.YU	08-21-09
X	± 0.5	CHECKED BY	DATE
X.X	± 0.3	BETTY.YU	08-21-09
X.XX	± 0.1	APPROVED BY	DATE
ANGLES	± 0.5°	THOMAS	08-21-09
		U/M	mm

	Connectivity Solutions	
	TITLE	
F-59 WITH ATTACHED 1/8 RING		

THIS DRAWING WAS PRODUCED BY COMPUTER, DO NOT SCALE DRAWING OR UPDATE MANUALLY.

SHEET	DRAWING NO.	SIZE
1 OF 1	25-7050-CUST	A

5

4

3

2

1