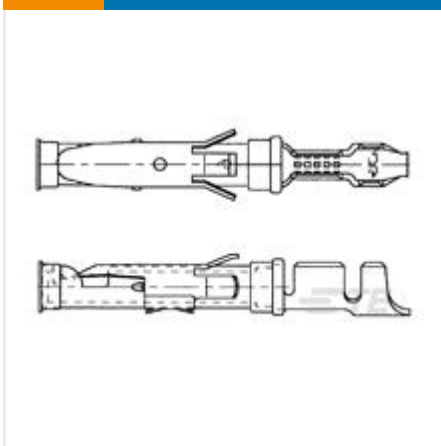




CONNECTORS

POWER CONTACTS



✓ Active

TE CONNECTIVITY (TE)

SPEC. PLATED

AMP | Type III+

1-163084-0

TE Internal Number: 1-163084-0

EU RoHS Compliant

EU ELV Compliant

Product Type Contact

Wire/Cable Size (AWG) 18 – 15

Wire/Cable Size (mm²) .75 – 1.5

Connector & Contact Terminates To Wire & Cable

Circuit Application Signal

↓ **PRODUCT DRAWING**
English

↓ **3D PDF**

DOCUMENTATION

Product Drawings

Loose Piece Socket Type 3+ Contacts Size 16

PDF (TIFF AVAILABLE)

English

TYPE III+, SIZE 16, SOCKET ASS'Y, 18-16 AWG, 2.0-2.5mm DIA INSULATION

PDF

English

CAD Files

3D PDF

PDF

3D

Customer View Model

2D_DXF.ZIP

English

Customer View Model

3D_IGS.ZIP

English

Customer View Model

3D_STP.ZIP

English

FEATURES

Please review product documents or [contact us](#) for the latest agency approval information.

Please Note: Use the Product Drawing for all design activity.

Product Type Features

Product Type Contact

Connector & Contact Terminates To Wire & Cable

Electrical Characteristics

Test Current (A) 13

Contact Features

Contact Type Socket

Contact Base Material Brass

Contact Mating Area Plating Material Gold

Contact Mating Area Plating Thickness (µin) 30

Contact Termination Area Plating Material Gold Flash

Contact Size 16

Termination Features

Wire/Cable Size (AWG) 18 – 15

Wire/Cable Size (mm²) .75 – 1.5

Termination Type Crimp

Dimensions

Accepts Wire Insulation Diameter Range 2.01 – 2.49 mm [.078 – .098 in]

Operation/Application

Circuit Application Signal

Packaging Features

Packaging Method Bag

Packaging Quantity 200

Other

Wire Type Regular Wire

PRODUCT COMPLIANCE



Statement of Compliance

Statement of Compliance

PDF
