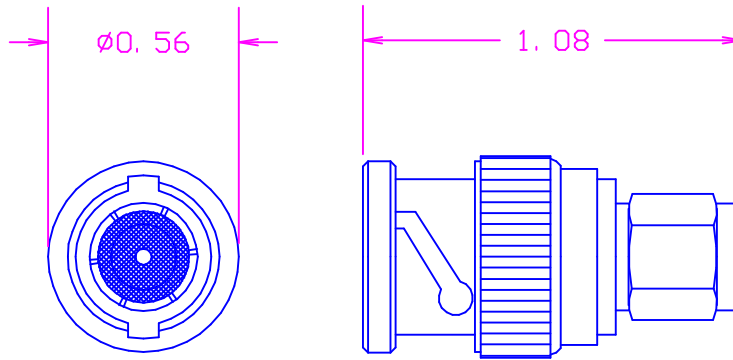


DATE	SYM	REVISION	RECORD	AUTH.	DR.	CK.
11/30/98	-	ISSUED			NT	GH



SMA PLUG-

BODY- CORROSION RESISTANT STEEL
PER QQ-S-763, GOLD PLATED

CONTACT- BERYLLIUM COPPER PER ASTM B196
PLATED .0001"MIN. GOLD PER MIL-G-45204

INSULATION- PTFE PER ASTM D1710

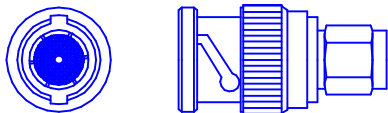
ACTUAL SIZE

BNC PLUG-

BODY AND CONTACT- BRASS PER ASTM B16

GOLD PLATED PER MIL-G-45204

INSULATION- PTFE PER ASTM D1710



TOLERANCES REF. ONLY	CONCORD ELECTRONICS CORPORATION		
DECIMAL + -	P/N	SCALE	30 GREAT JONES ST. NEW YORK N. Y. 10012
FRACTIONAL + -	TITLE SMA PLUG-BNC PLUG		
+ -	DATE 11/25/98	DRAWING NUMBER 800-2436-84	