

control kit (yellow), for contactors 3RT2.1 and auxiliary contactors 3RH2



product brand name	SIRIUS
product category	Miscellaneous accessories
product designation	control kit

General technical data	
color	yellow
Substance Prohibittance (Date)	10/01/2009

Environmental footprint	
Environmental Product Declaration (EPD)	Yes
Global Warming Potential [CO2 eq] total	7.04 kg
Global Warming Potential [CO2 eq] during manufacturing	0.089 kg
Global Warming Potential [CO2 eq] during operation	6.96 kg
Global Warming Potential [CO2 eq] after end of life	-0.0061 kg

Approvals Certificates		
General Product Approval	EMV	Marine / Shipping



[Confirmation](#)



Marine / Shipping	other	Environment
-------------------	-------	-------------



[Confirmation](#)

[Miscellaneous](#)

[EPD Typ II/III \(with life cycle assessment\)](#)

Further information

Information on the packaging

<https://support.industry.siemens.com/cs/ww/en/view/109813875>

Information- and Downloadcenter (Catalogs, Brochures,...)

<https://www.siemens.com/ic10>

Industry Mall (Online ordering system)

<https://mall.industry.siemens.com/mall/en/en/Catalog/product?mlfb=3RT2916-4MC00>

Cax online generator

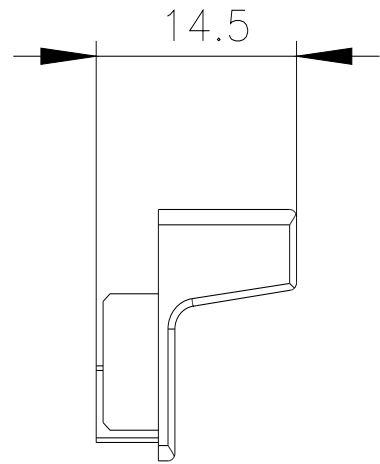
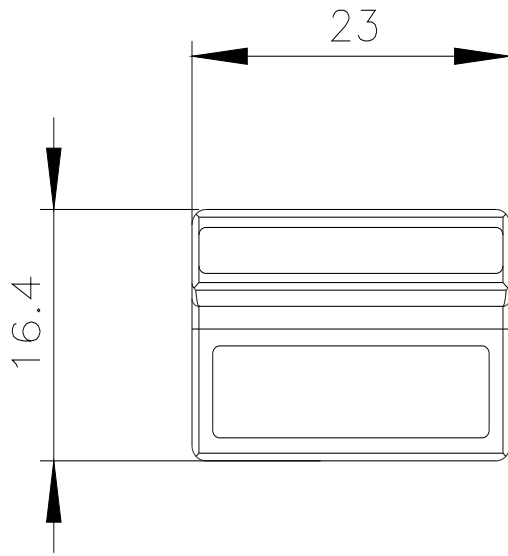
<http://support.automation.siemens.com/WW/CAXorder/default.aspx?lang=en&mlfb=3RT2916-4MC00>

Service&Support (Manuals, Certificates, Characteristics, FAQs,...)

<https://support.industry.siemens.com/cs/ww/en/ps/3RT2916-4MC00>

Image database (product images, 2D dimension drawings, 3D models, device circuit diagrams, EPLAN macros, ...)

http://www.automation.siemens.com/bilddb/cax_de.aspx?mlfb=3RT2916-4MC00&lang=en



last modified:

1/10/2024 