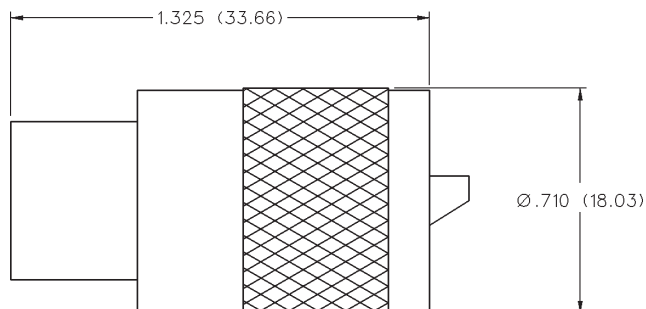


# UHF Connectors

For Flexible Cable, Bulkhead and Adapters  
 INCHES (MILLIMETERS) • CUSTOMER DRAWINGS AVAILABLE ON REQUEST

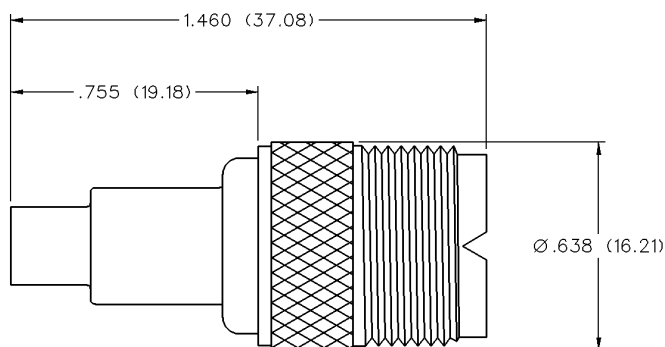


## Straight Solder Type Plug



PART NO.	CABLE TYPE	DESCRIPTION
CP-AD250	RG-8, 213	Standard, PL-259

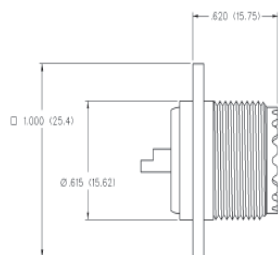
## Straight Crimp Type Jack to Center - Conductor Twist-On - 2 Piece



PART NO.	CABLE TYPE	WIRE GAUGE	WIRE DECIMAL	JACKET O.D.
CPF-249-1	RG-58	20	.0325 (0.83)	.185 (4.70)-.205 (5.21)

Assembly instructions page 257.

## 4-Hole Flange Mount Jack



PART NO.
CP-AD206

