



4

3

DRW NO. C-437-5500-500	SH 2	REV J
---------------------------	---------	----------

ZONE	REV	SCR NUMBER	DESCRIPTION	BY	DATE	APPROVED
			SEE SHEET 1			

NOTE: PPP DENOTES PLATING.

PLATING OPTIONS:

- 0 = 732
- 1 = 735
- 2 = 769
- 3 = 768
- 4 = 804
- 5 = 803
- 6 = 806
- 7 = 805

TABLE 1		
NUMBER	LENGTH	BLADE #1 P/N
0	N/A	EMPTY
1	8.4	N/A
2	9.9	263-0442-PPP
3	11.4	N/A

TABLE 2		
NUMBER	LENGTH	BLADE #2 P/N
0	N/A	EMPTY
1	8.4	263-0421-PPP
2	9.9	263-0422-PPP
3	11.4	263-0423-PPP

PART NUMBER CONFIGURATION

437-550 X - 0 Y Z



GOLD PLATING THICKNESS

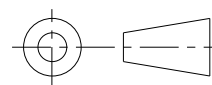
- 0 = Ni SULFAMATE, HIGH GOLD, LEADED
- 1 = Ni SULFAMATE, STANDARD GOLD, LEADED
- 2 = Ni SULFAMATE, STANDARD GOLD, LEAD-FREE
- 3 = Ni SULFAMATE, HIGH GOLD, LEAD-FREE
- 4 = NANO Ni, STANDARD GOLD, LEADED
- 5 = NANO Ni, HIGH GOLD, LEADED
- 6 = NANO Ni, STANDARD GOLD, LEAD-FREE
- 7 = NANO Ni, HIGH GOLD, LEAD-FREE

BLADE 1 (SEE TABLE 1)

BLADE 2 (SEE TABLE 2)

TOLERANCES		DESIGN 10/09/2009 DP/COL/JSG/JV
0.0	±0.25	DRAWN 6/16/99 J.Varhegyi
0.00	±0.13	CHK 11/29/99 D.Provencher
0.000	± -	APVD 5/22/00 D.Provencher
ANGLES	± -	

<b>Amphenol TCS</b> A Division of Amphenol Corporation 200 Innovative Way, Nashua, NH 03062 603.879.3000	
TITLE DAUGHTERCARD POWER MODULE ASSEMBLY, 5 ROW VHDM-HSD, eHSD	
PART NO. SEE PN TREE SHEET 2	REV N/A
DRAWING NO. C-437-5500-500	REV J
Pro/E type: Q1091-CU-DC-437-5500-500-POWER Pro/E DRAWING: C-437-5500-500	
SIZE B	SHEET 2 OF 3

  
 INTERPRET PER ASME Y14.5M  
 CODE IDENT 31413

CUSTOMER USE DRAWING

DRW NO.  
C-437-5500-500

SH  
2

REV  
J

B

B

A

4

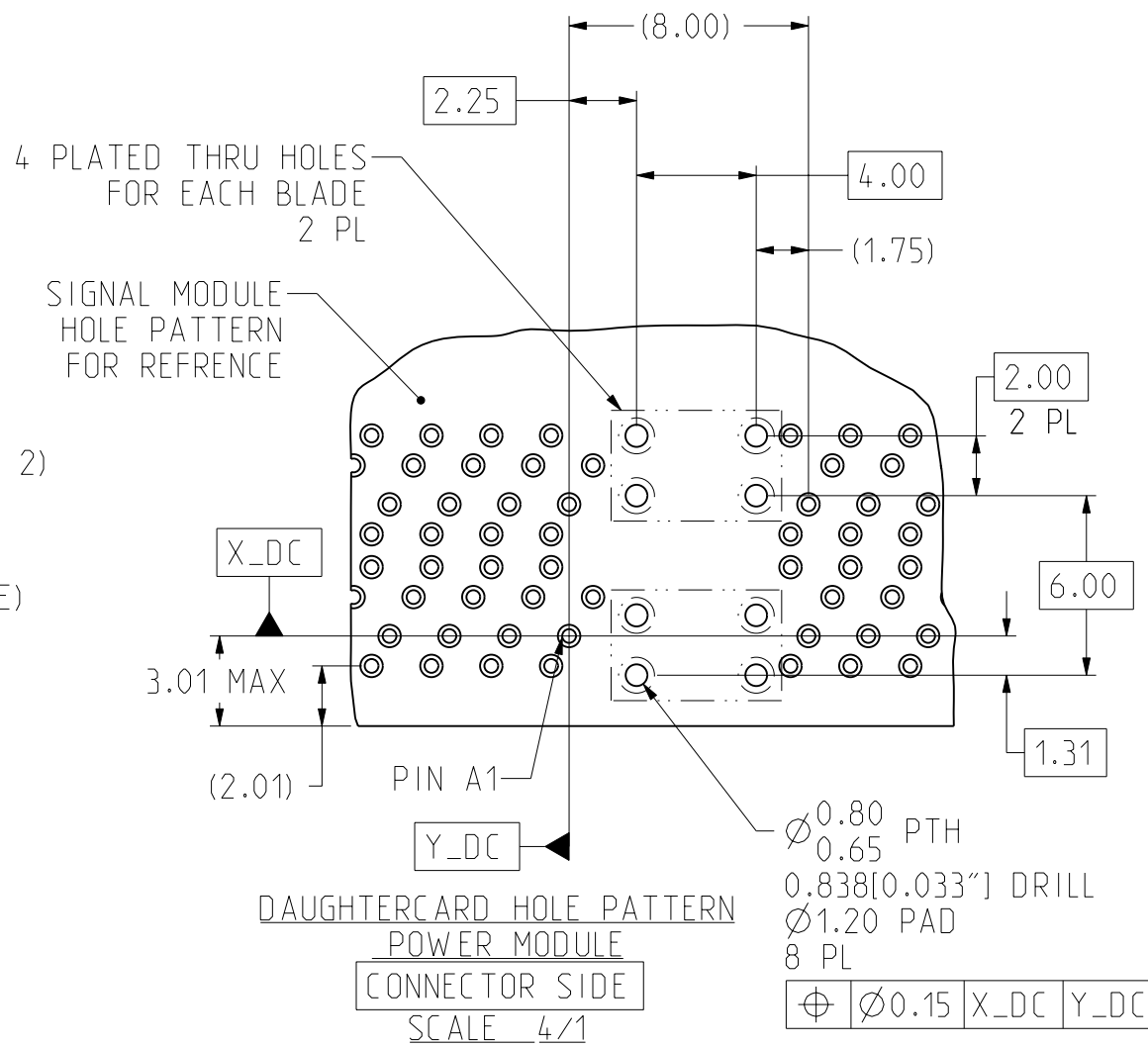
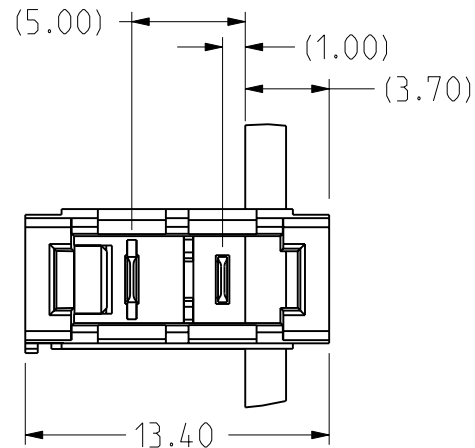
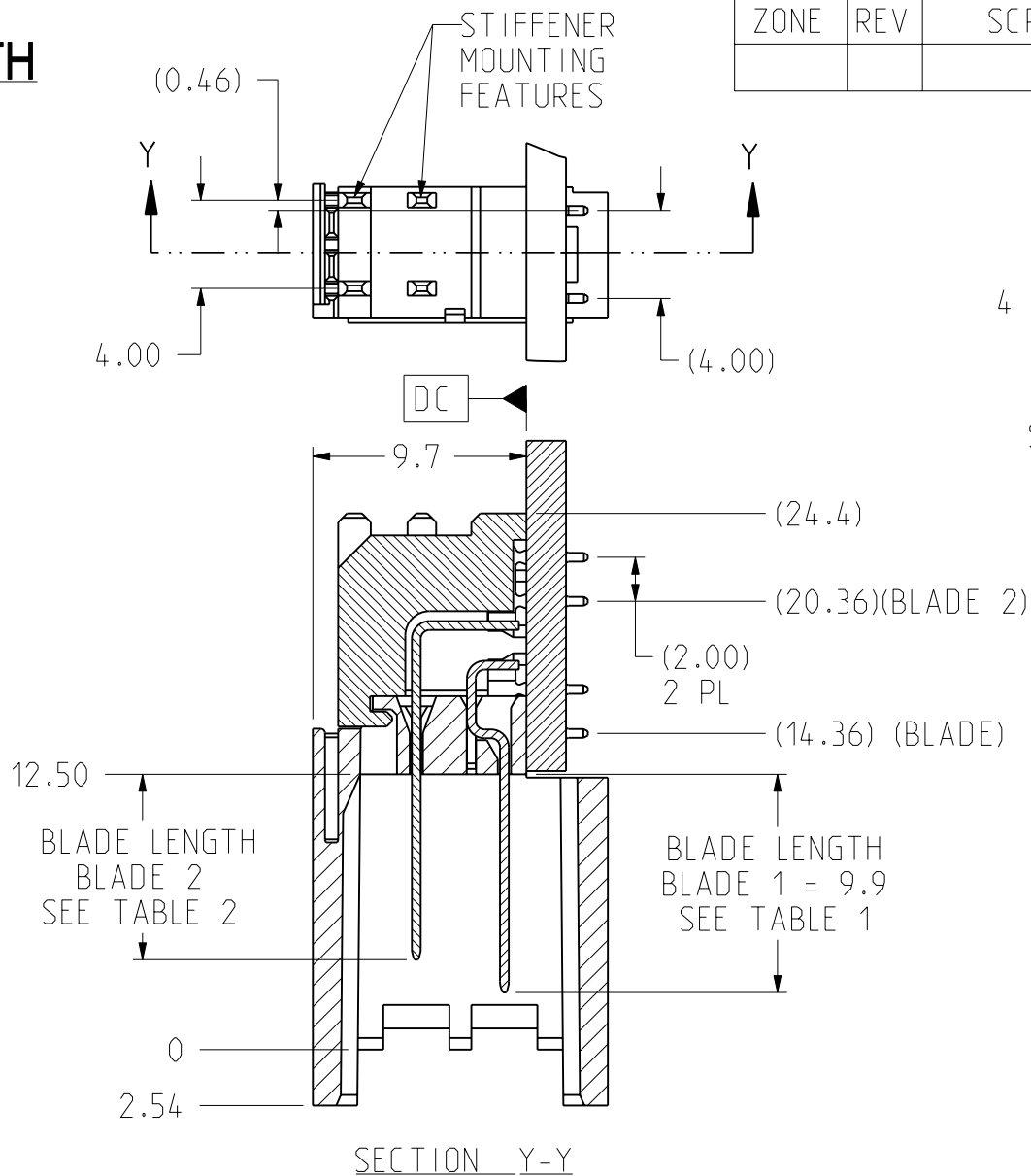
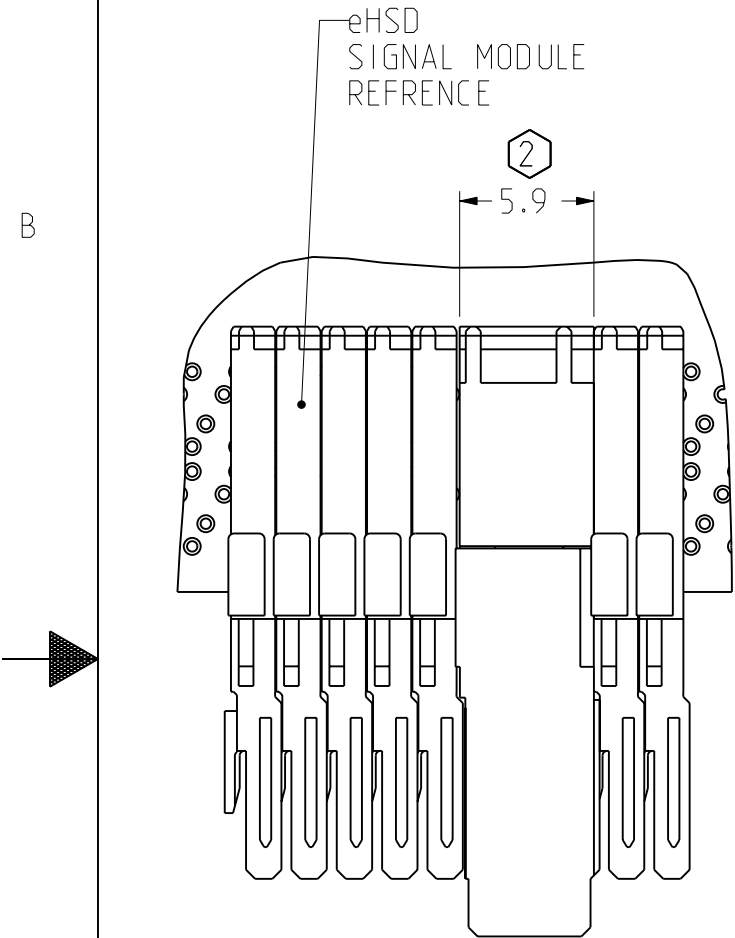
3

2

1

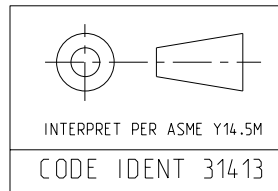
ZONE	REV	SCR NUMBER	DESCRIPTION	BY	DATE	APPROVED
			SEE SHEET 1			

# DC POWER FOOTPRINT WITH eHSD SIGNAL MODULE



TOLERANCES	DESIGN
0.0 ±0.25	10/09/2009 DP/COL/JSG/JV
0.00 ±0.13	DRAWN 6/16/99 J.Varhegyi
0.000 ± -	CHK 11/29/99 D.Provencher
ANGLES ± -	APVD 5/22/00 D.Provencher

<b>Amphenol TCS</b> A Division of Amphenol Corporation 200 Innovative Way, Nashua, NH 03062 603.879.3000	
TITLE DAUGHTERCARD POWER MODULE ASSEMBLY, 5 ROW VHDM-HSD, eHSD	
PART NO. SEE PN TREE SHEET 2	REV N/A
DRAWING NO. C-437-5500-500	REV J
Pro/E type: Q1091-CU-DC-437-5500-500-POWER Pro/E DRAWING: C-437-5500-500	
SIZE B	SHEET 3 OF 3



UNLESS OTHERWISE SPECIFIED DIMENSIONS ARE IN MM. DECIMAL MARKER IS A PERIOD

**CUSTOMER USE DRAWING**

DRW NO. C-437-5500-500

SH 3 REV J