

SN74ALS235 64 × 5 ASYNCHRONOUS FIRST-IN, FIRST-OUT MEMORY

SDAS108A – OCTOBER 1986 – REVISED SEPTEMBER 1993

- Asynchronous Operation
- Organized as 64 Words by 5 Bits
- Data Rates From 0 to 25 MHz
- 3-State Outputs
- Package Options Include Plastic Small-Outline Packages (DW), Plastic J-Leaded Chip Carriers (FN), and Standard Plastic 300-mil DIPs (N)

description

The SN74ALS235 is a 320-bit memory utilizing advanced low-power Schottky IMPACT™ technology. It features high speed with fast fall-through times and is organized as 64 words by 5 bits.

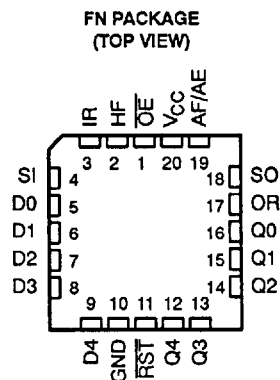
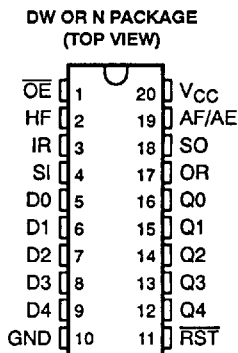
A first-in, first-out (FIFO) memory is a storage device that allows data to be written into and read from its array at independent data rates. The SN74ALS235 is designed to process data at rates from 0 to 25 MHz in a bit-parallel format, word by word.

Data is written into memory on the rising edge of the shift-in (SI) input. When SI goes low, the first data word ripples through to the output (see Figure 1). As the FIFO fills up, the data words stack up in the order they were written. When the FIFO is full, additional shift-in pulses have no effect. Data is shifted out of memory on the falling edge of the shift-out (SO) input (see Figure 2). When the FIFO is empty, additional SO pulses have no effect. The last data word remains at the outputs until a new word falls through or reset (RST) goes low.

Status of the SN74ALS235 FIFO memory is monitored by the output-ready (OR), input-ready (IR), almost-full/almost-empty (AF/AE), and half-full (HF) flags. When OR is high, valid data is available at the outputs. OR is low when SO is high and stays low when the FIFO is empty. IR is high when the inputs are ready to receive more data. IR is low when SI is high and stays low when the FIFO is full. AF/AE is high when the FIFO contains eight or less words (see Figure 5) or 56 or more words (see Figure 6). AF/AE is low when the FIFO contains between nine and 55 words. HF is high when the FIFO contains 32 or more words and is low when the FIFO contains 31 words or less (see Figure 7).

When the FIFO is empty, input data is shifted to the output automatically when SI goes low. If SO is held high during this time, the OR flag pulses high indicating valid data at the outputs (see Figure 3).

When the FIFO is full, data can be shifted in automatically by holding SI high and taking SO low. One propagation delay after SO goes low, IR will go high. If SI is still high when IR goes high, data at the inputs are automatically shifted in. Since IR is normally low when the FIFO is full and SI is high, only a high-level pulse is seen on the IR output.



IMPACT is a trademark of Texas Instruments Incorporated.

PRODUCTION DATA information is current as of publication date. Products conform to specifications per the terms of Texas Instruments standard warranty. Production processing does not necessarily include testing of all parameters.

TEXAS
INSTRUMENTS

Copyright © 1993, Texas Instruments Incorporated

POST OFFICE BOX 655303 • DALLAS, TEXAS 75265

13-57

8961723 0101730 729

SN74ALS235

64 × 5 ASYNCHRONOUS FIRST-IN, FIRST-OUT MEMORY

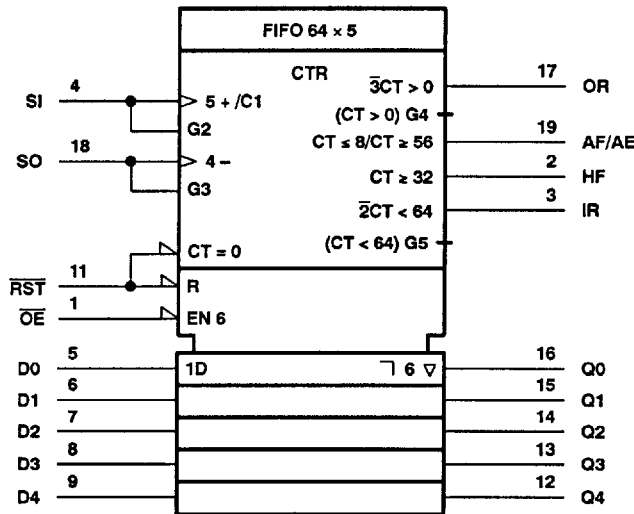
SDAS108A – OCTOBER 1986 – REVISED SEPTEMBER 1993

description (continued)

The FIFO must be reset after power up with a low-level pulse on the master reset (\overline{RST}) input. This sets IR high and OR low signifying that the FIFO is empty. Resetting the FIFO sets the outputs to a low logic level (see Figure 1). If SI is high when \overline{RST} goes high, the input data is shifted in and IR goes low and remains low until SI goes low. If SI goes low before \overline{RST} goes high, the input data will not be shifted in and IR goes high. Data outputs are noninverting with respect to the data inputs and are at high impedance when the output-enable (\overline{OE}) input is high. \overline{OE} does not affect the status-flag outputs (see Figure 2).

The SN74ALS235 is characterized for operation from 0°C to 70°C.

logic symbol†

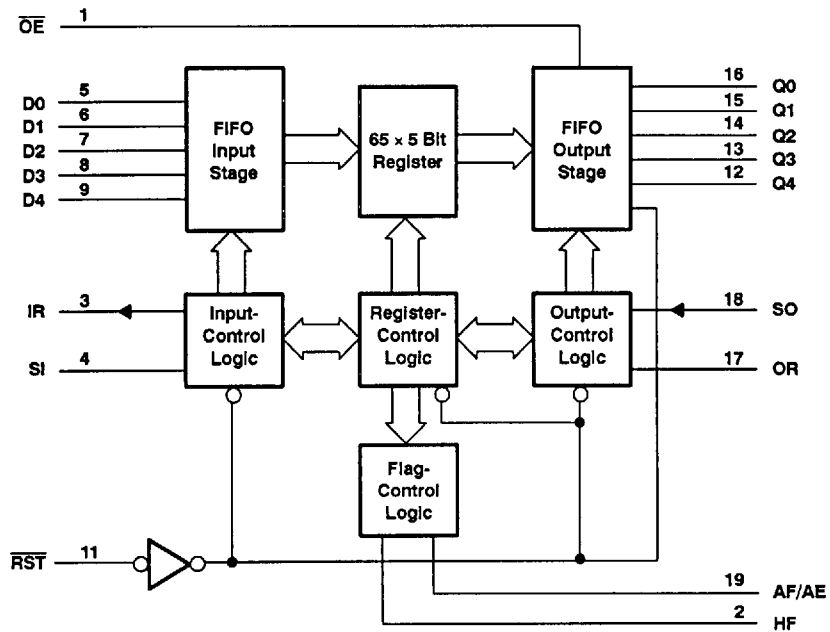


† This symbol is in accordance with ANSI/IEEE Standard 91-1984 and IEC Publication 617-12.

SN74ALS235 64 × 5 ASYNCHRONOUS FIRST-IN, FIRST-OUT MEMORY

SDAS108A – OCTOBER 1986 – REVISED SEPTEMBER 1993

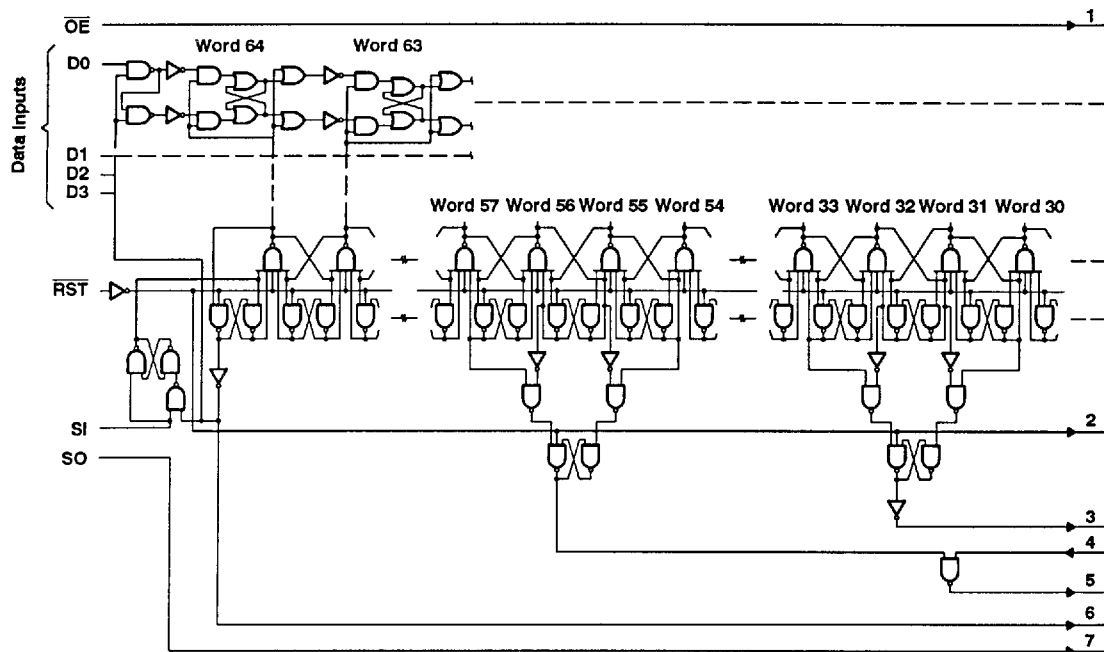
functional block diagram



SN74ALS235 64 × 5 ASYNCHRONOUS FIRST-IN, FIRST-OUT MEMORY

SDAS108A – OCTOBER 1986 – REVISED SEPTEMBER 1993

logic diagram (positive logic)



Continued on Next Page

8961723 0101733 438

 **TEXAS
INSTRUMENTS**

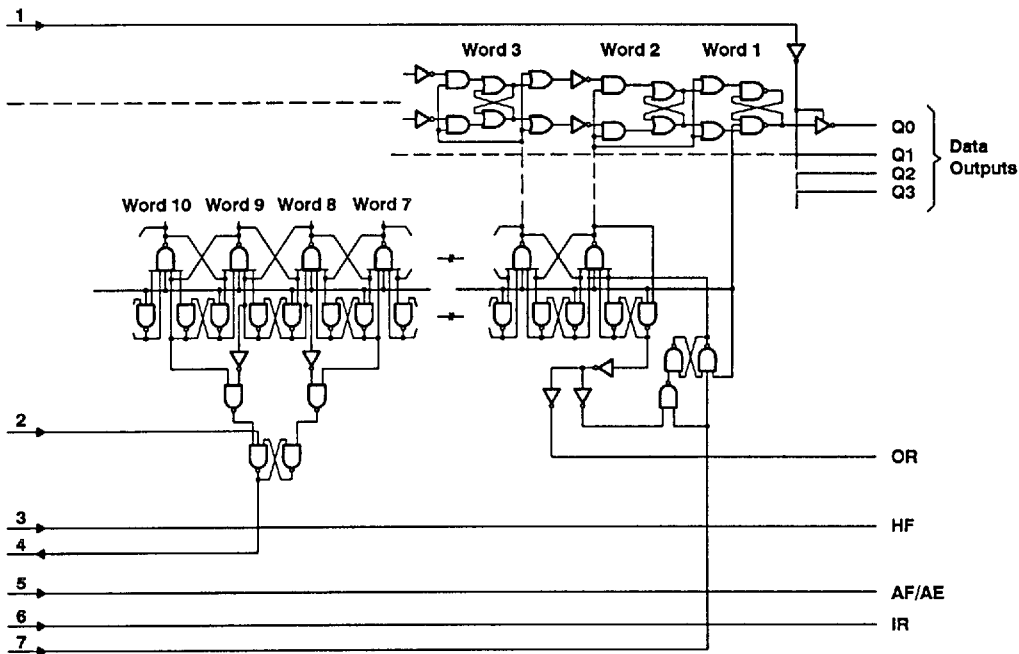
POST OFFICE BOX 655303 • DALLAS, TEXAS 75265

SN74ALS235

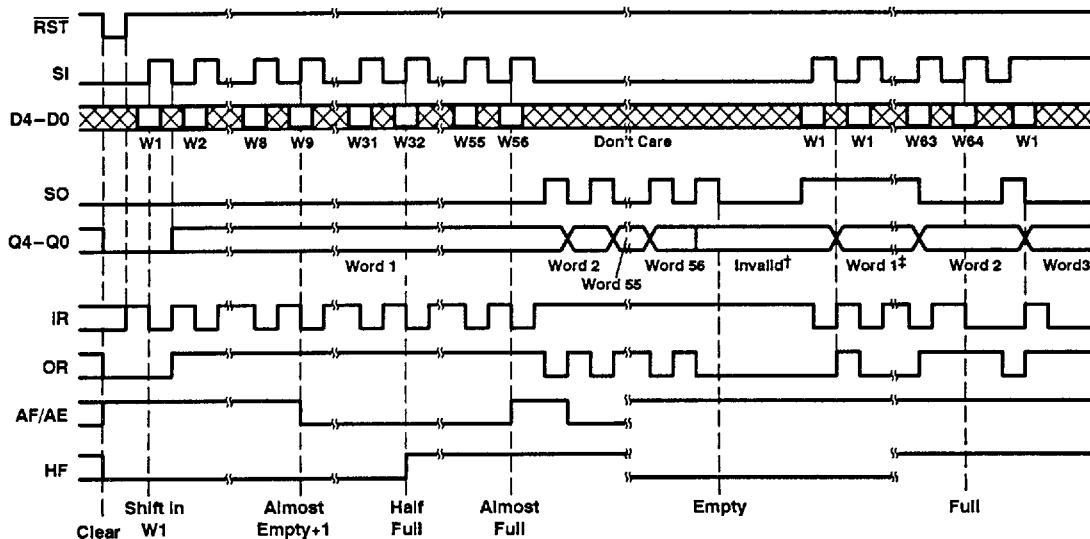
64 × 5 ASYNCHRONOUS FIRST-IN, FIRST-OUT MEMORY

SDAS108A - OCTOBER 1986 - REVISED SEPTEMBER 1993

logic diagram (positive logic) (continued)



timing diagram



† The last data word shifted out of the FIFO remains at the output until a new word falls through or a $\overline{\text{RST}}$ pulse clears the FIFO.

‡ While the output data is considered valid only when the OR flag is high, the stored data remains at the output. Any additional words written into the FIFO will stack up behind the first word and will not appear at the output until SO is taken low.

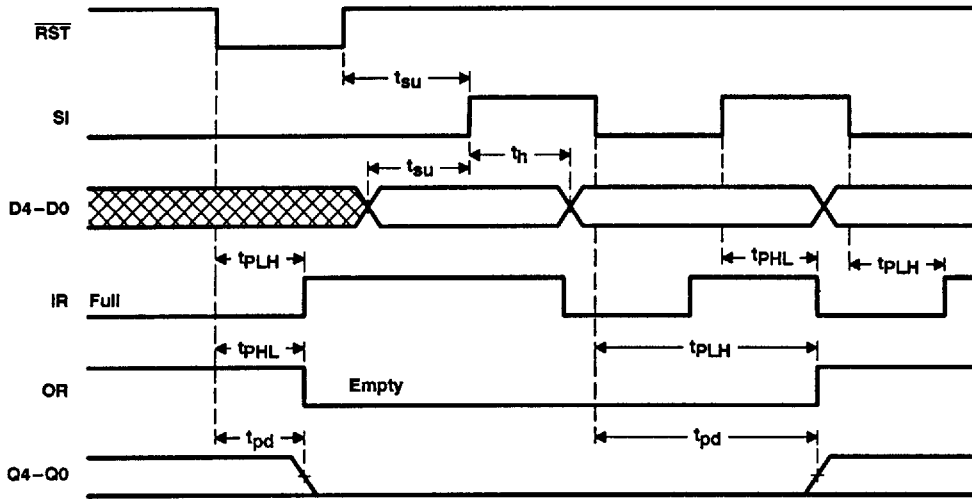
 **TEXAS
INSTRUMENTS**

POST OFFICE BOX 655309 • DALLAS, TEXAS 75265

8961723 0101734 374

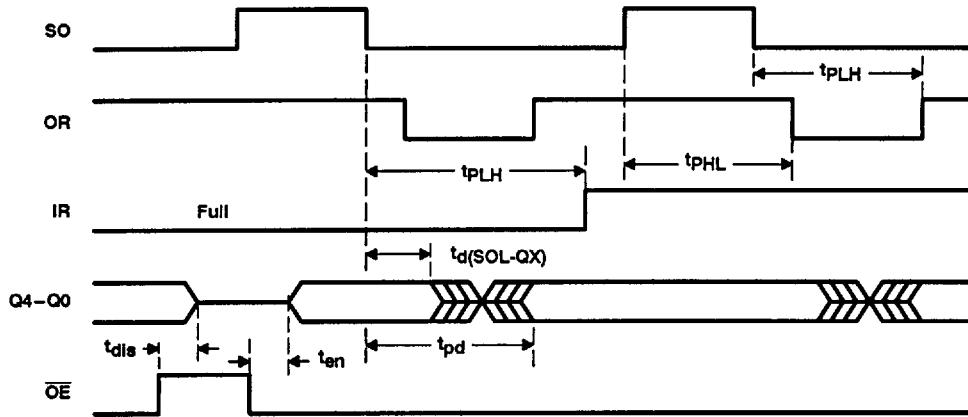
SN74ALS235
64 × 5 ASYNCHRONOUS FIRST-IN, FIRST-OUT MEMORY

SDAS108A - OCTOBER 1986 - REVISED SEPTEMBER 1993



NOTE A: SO is low.

Figure 1. Master Reset and Data-In Waveforms



NOTE A: SI is low.

Figure 2. Data-Out Waveforms

8961723 0101735 200



POST OFFICE BOX 655303 • DALLAS, TEXAS 75265

SN74ALS235
64 × 5 ASYNCHRONOUS FIRST-IN, FIRST-OUT MEMORY

SDAS108A – OCTOBER 1986 – REVISED SEPTEMBER 1993

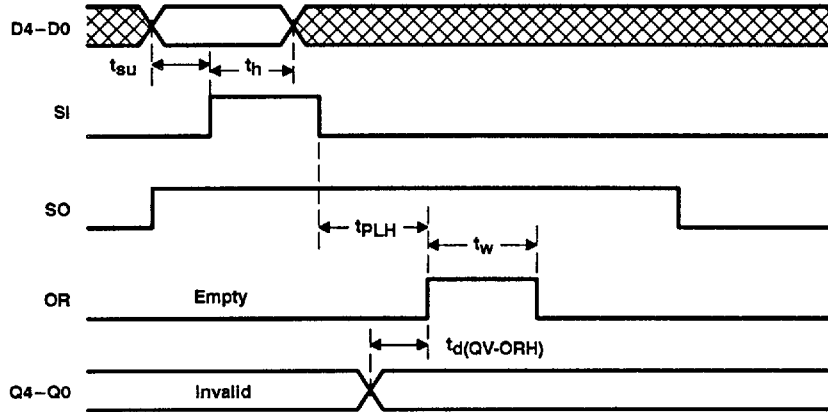


Figure 3. Data Fall-Through Waveforms

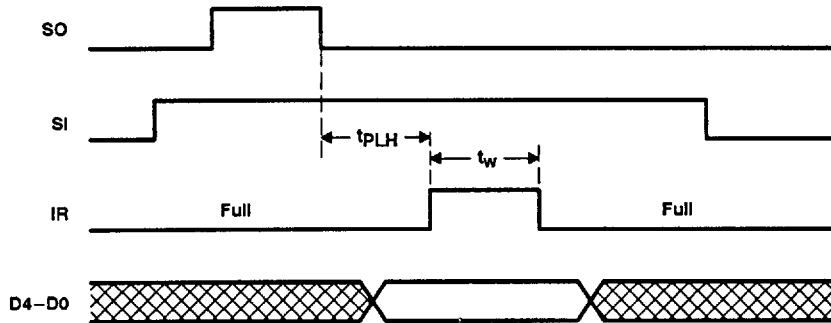


Figure 4. Automatic Data-In Waveforms

SN74ALS235
64 × 5 ASYNCHRONOUS FIRST-IN, FIRST-OUT MEMORY

SDAS108A - OCTOBER 1986 - REVISED SEPTEMBER 1993

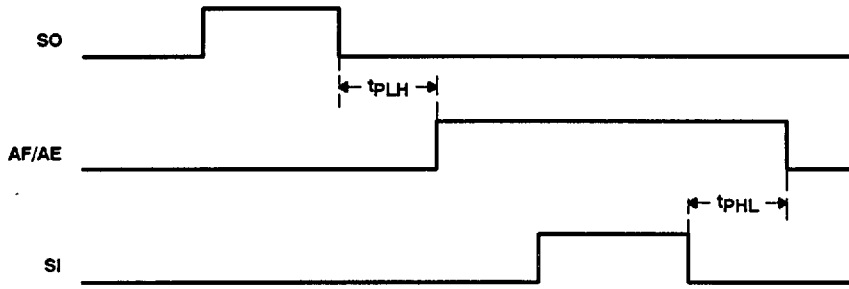


Figure 5. Almost-Empty Waveforms

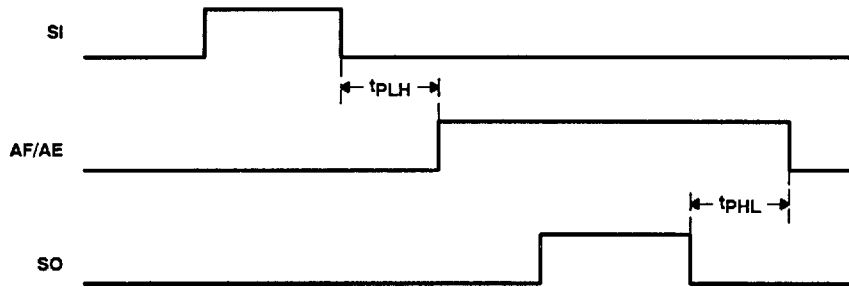


Figure 6. Almost-Full Waveforms

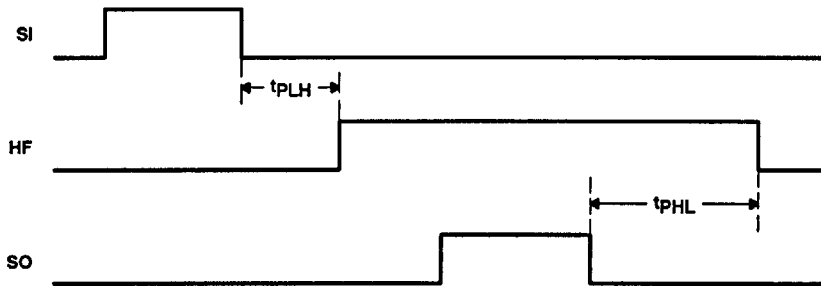


Figure 7. Half-Full Waveforms

SN74ALS235

64 × 5 ASYNCHRONOUS FIRST-IN, FIRST-OUT MEMORY

SDAS108A – OCTOBER 1986 – REVISED SEPTEMBER 1993

absolute maximum ratings over operating free-air temperature range (unless otherwise noted)†

Supply voltage, V_{CC} (see Note 1)	7 V
Input voltage, V_I	7 V
Voltage applied to a disabled 3-state output	5.5 V
Operating free-air temperature range, T_A	0°C to 70°
Storage temperature range	–65°C to 150°C

† Stresses beyond those listed under "absolute maximum ratings" may cause permanent damage to the device. These are stress ratings only, and functional operation of the device at these or any other conditions beyond those indicated under "recommended operating conditions" is not implied. Exposure to absolute-maximum-rated conditions for extended periods may affect device reliability.

NOTE 1: All voltage values are with respect to GND.

recommended operating conditions

		MIN	NOM	MAX	UNIT	
V_{CC}	Supply voltage	4.5	5	5.5	V	
V_{IH}	High-level input voltage	2			V	
V_{IL}	Low-level input voltage			0.8	V	
I_{OH}	High-level output current	Q outputs		–2.6	mA	
		Flags		–0.4		
I_{OL}	Low-level output current	Q outputs		24	mA	
		Flags		8		
f_{clock}	Clock frequency	SI or SO		0	25	MHz
t_w	Pulse duration	SI or SO	High or low	15	ns	
		\overline{RST}	Low	15		
t_{su}	Setup time before SI†	Data		0	ns	
		\overline{RST}	High (inactive)	15		
t_h	Hold time, data after SI†			17	ns	
T_A	Operating free-air temperature			0	70	°C



POST OFFICE BOX 655303 • DALLAS, TEXAS 75265

SN74ALS235 64 × 5 ASYNCHRONOUS FIRST-IN, FIRST-OUT MEMORY

SDAS108A – OCTOBER 1986 – REVISED SEPTEMBER 1993

electrical characteristics over recommended operating free-air temperature range (unless otherwise noted)

PARAMETER		TEST CONDITIONS		MIN	TYP†	MAX	UNIT
V _{IK}		V _{CC} = 4.5 V,	I _I = -18 mA			-1.2	V
V _{OH}	Any Q	V _{CC} = 4.5 V	I _{OH} = -1 mA				V
			I _{OH} = -2.6 mA	2.4	3.2		
	Flags	V _{CC} = 4.5 V,	I _{OH} = -0.4 mA	2.7	3.4		
V _{OL}	Any Q	V _{CC} = 4.5 V	I _{OL} = 12 mA		0.25	0.4	V
			I _{OL} = 24 mA		0.35	0.5	
	Flags	V _{CC} = 4.5 V	I _{OL} = 4 mA		0.25	0.4	
			I _{OL} = 8 mA		0.35	0.5	
I _{OZH}	V _{CC} = 5.5 V,	V _O = 2.7 V			20	μA	
I _{OZL}	V _{CC} = 5.5 V,	V _O = 0.4 V			-20	μA	
I _I	V _{CC} = 5.5 V,	V _I = 7 V			0.1	mA	
I _{IH}	V _{CC} = 5.5 V,	V _I = 2.7 V			20	μA	
I _{IL}	V _{CC} = 5.5 V,	V _I = 0.4 V			-0.1	mA	
I _{O‡}	V _{CC} = 5.5 V,	V _O = 2.25 V			-30	-112	mA
I _{CC}	V _{CC} = 5.5 V	Low			112	165	mA
		High			105	160	
		Disabled			115	170	

† All typical values are at V_{CC} = 5 V, T_A = 25°C.

‡ The output conditions have been chosen to produce a current that closely approximates one half of the true short-circuit output current, I_{OS}.

8961723 0101739 956

 **TEXAS
INSTRUMENTS**

POST OFFICE BOX 655303 • DALLAS, TEXAS 75265

SN74ALS235

64 × 5 ASYNCHRONOUS FIRST-IN, FIRST-OUT MEMORY

SDAS108A – OCTOBER 1986 – REVISED SEPTEMBER 1993

switching characteristics (see Figure 9)

PARAMETER	FROM (INPUT)	TO (OUTPUT)	VCC = 5 V, CL = 50 pF, R1 = 500 Ω, R2 = 500 Ω, TA = 25°C			VCC = 4.5 V to 5.5 V, CL = 50 pF, R1 = 500 Ω, R2 = 500 Ω, TA = MIN to MAX†		UNIT
			MIN	TYP	MAX	MIN	MAX	
fmax	SI		30			25		MHz
	SO		30			25		
tw‡	IR high		15			8		ns
tw§	OR high		19			8		ns
td(QV-ORH)	Q valid before OR†		6 9			-5 12		ns
td(SOL-QX)	Q valid after SO‡		13			4		ns
tpd	SI↓	Q	600 800			350 1000		ns
tPHL	SI↑	IR	20 26			8 30		ns
tPLH	SI↓		16 21			6 25		
tPLH¶	SI↓	OR	600 800			350 1000		ns
tPHL	SI↓	AF/AE	550 700			290 880		ns
tPLH			85 115			40 150		
tPLH	SI↓	HF	340 410			180 510		ns
tpd	SO↓	Q	13 17			4 22		ns
tPHL	SO↑	OR	23 27			7 33		ns
tPLH	SO↓		20 24			6 30		
tPLH¶	SO↓	IR	600 800			350 1000		ns
tPHL	SO↓	AF/AE	550 700			290 880		ns
tPLH			85 115			35 150		
tPHL	SO↓	HF	340 410			170 510		ns
tPHL	RST↓	OR	22 26			10 34		ns
tPLH	RST↑	IR	12 18			5 22		ns
tPHL	RST↓	IR	12 18			5 22		ns
		Q	14 17			5 19		
tdis	OE↑	Q	7 13			2 15		ns
ten	OE↓	Q	6 12			2 13		ns

† For conditions shown as MIN or MAX, use the appropriate value specified under recommended operating conditions.

‡ The IR output pulse occurs when the FIFO is full, SI is high, and SO is pulsed (see Figure 4).

§ The OR output pulse occurs when the FIFO is empty, SO is high, and SI is pulsed (see Figure 3).

¶ Data throughput or fall-through times



POST OFFICE BOX 655303 • DALLAS, TEXAS 75265

8961723 0101740 678

SN74ALS235
64 × 5 ASYNCHRONOUS FIRST-IN, FIRST-OUT MEMORY

SDAS108A – OCTOBER 1986 – REVISED SEPTEMBER 1993

APPLICATION INFORMATION

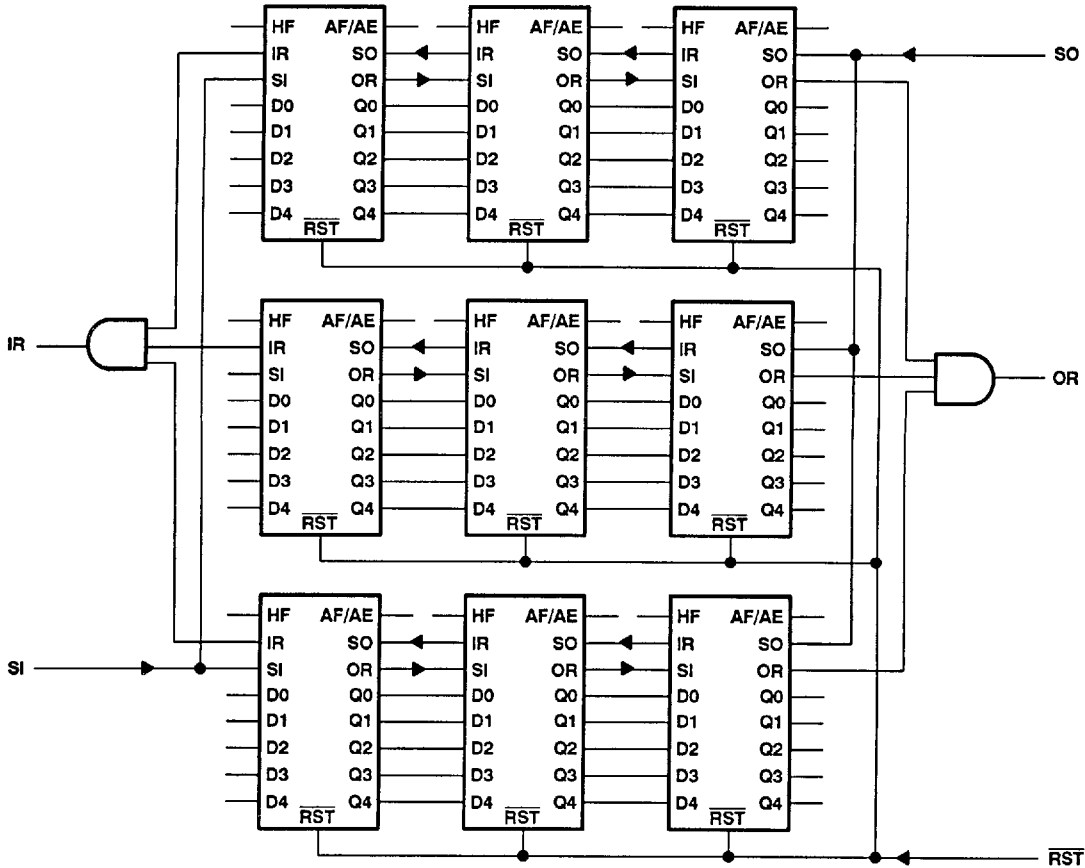


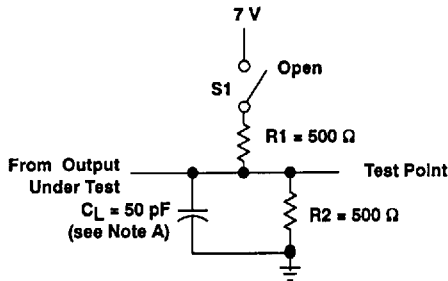
Figure 8. 192-Word by 15-Bit Expansion

8961723 0101741 504



POST OFFICE BOX 655303 • DALLAS, TEXAS 75265

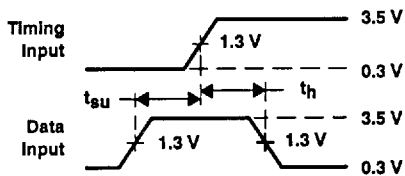
PARAMETER MEASUREMENT INFORMATION



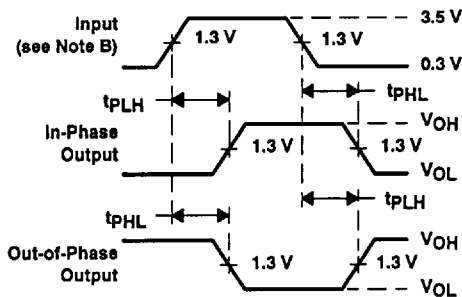
SWITCH POSITION TABLE

TEST	S1
t_{PLH}	Open
t_{PHL}	Open
t_{PZH}	Open
t_{PZL}	Closed
t_{PHZ}	Open
t_{PLZ}	Closed

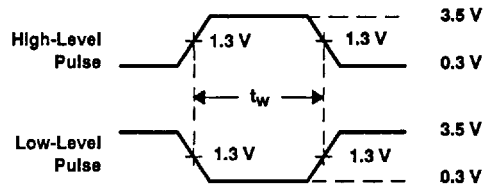
LOAD CIRCUIT FOR 3-STATE OUTPUTS



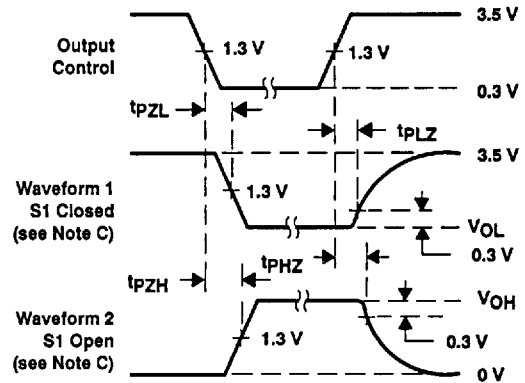
VOLTAGE WAVEFORMS
SETUP AND HOLD TIMES



VOLTAGE WAVEFORMS
PROPAGATION DELAY TIMES



VOLTAGE WAVEFORMS
PULSE DURATION



VOLTAGE WAVEFORMS
ENABLE AND DISABLE TIMES, 3-STATE OUTPUTS

- NOTES: A. C_L includes probe and jig capacitance.
 B. All input pulses are supplied by generators having the following characteristics: $PRR \leq 1$ MHz, $Z_0 = 50 \Omega$, $t_r \leq 2$ ns, $t_f \leq 2$ ns.
 C. Waveform 1 is for an output with internal conditions such that the output is low except when disabled by the output control. Waveform 2 is for an output with internal conditions such that the output is high except when disabled by the output control.
 D. The outputs are measured one at a time with one transition per measurement.

Figure 9. Load Circuit and Voltage Waveforms