

NOTES:

1. MATING:

Interface dimensions per Mil-C-39012/Type N and SMA Series, Solitron/Microwave MD-126 and MD-107.

2. MATERIALS:

Body and Coupling Nut: Stainless Steel per QQ-S-764, Type 303, Cond. A.

Contact and Lock Ring: Beryllium Copper per QQ-C-530, Cond. HT., Alloy 173.

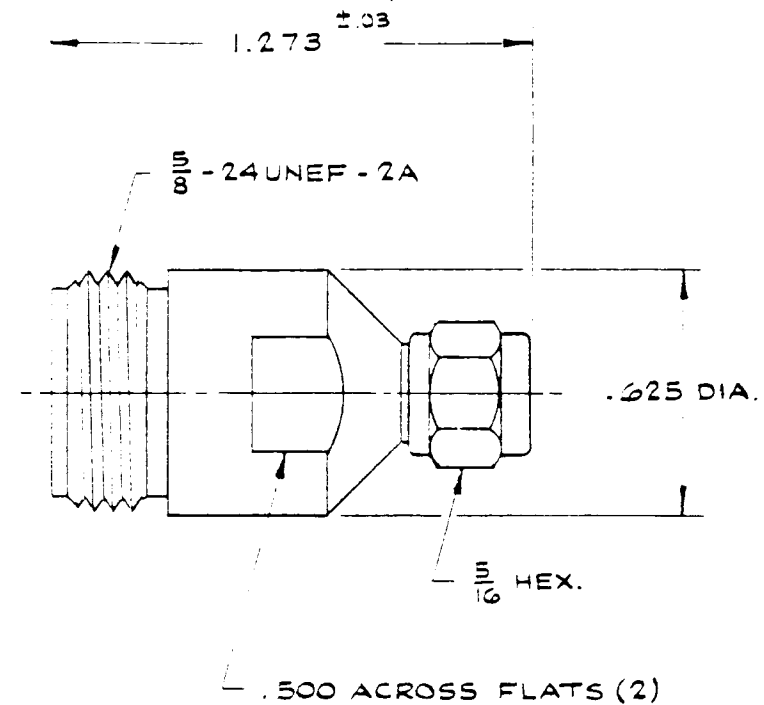
Insulator: Teflon per Mil-P-19468 and L-P-403, Type I.

Gasket: Silicone Rubber per QQ-R-765, Class IIB, Grade 50 or 60.

3. FINISH:

Body and Coupling Nut: Passivate per QQ-P-35A, Type 1.

Contact: Gold per Mil-G-45204, Type II, Class 2; over Copper per Mil-C-14550, Class 4.



SYM	DESCRIPTION	DATE	APPR	UNLESS OTHERWISE SPECIFIED 1 REMOVE ALL BURRS 2 BREAK ALL CORNERS & EDGES .005 R MAX 3 CHAMFER 1ST & LAST THREADS 45° 4 SURFACE ROUGHNESS 63 MIL STD-10 5 DIAMETERS ON COMMON CENTERS TO BE CONCENTRIC WITHIN T.I.R. 6 ALL DIMENSIONS ARE AFTER PLATING	SOLITRON / MICROWAVE PORT SALERNO, FLORIDA		REF.
-	REL. F-6423	5/75	2/56				ENGINEERING DATA DRAWING
							TITLE
							SMA, PLUG TO TYPE PN, JACK ADAPTER
							SHEET 1 OF 2
							DRAWING NO.
				DRAWN <i>ND</i> DATE 4-27-78	SCALE <i>/</i>	CODE IDENT NO. 95077	SIZE A
				CHECKED DATE			
				APPROVED <i>2/56</i> DATE 5/1/79			SF 1110-6001

"DESIGN CRITERIA"

SF1110-6001

REQUIREMENT	RATING	REQUIREMENT	RATING
Nominal Impedance (ohms)	50	Vibration	MIL-STD-202 method 204 Cond. D (20G's)
Frequency Range (ghz)	DC-18.0		
Voltage Rating (max. vrms)	335	Shock	MIL-STD-202 method 213 Cond. I (100G's)
Temperature Rating (degrees centigrade)	-65 To +165		
VSWR (max.)	1.04 +.005xFGHz	Temperature Cycling	MIL-STD-202 method 102 - Cond. C (-65 ^o c To + 200 ^o c)
Insertion Loss (dB max.)	.05x√FGHz		
RF Leakage (min. dB down)	100 dB-FGHz	Corrosion	MIL-STD-202 method 101 Cond. B (48 hrs.)
RF High Potential (max. vrms)	670 AT 5MHz		
Dielectric Withstanding Voltage (max. vrms)	1000	Moisture Resistance	MIL-STD-202 method 106 less step 7b
Insulation Resistance (min. megohms)	5000		
Contact Resistance Center Contact (max. milliohms) Outer Contact (max. milliohms)	3.0 2.0	Barometric Pressure (Altitude)	MIL-STD-202 method 105 Cond. C (70,000 ft.) (250 vrms)
Center Contact Axial Forces Insertion (max. ounces) Withdrawal (min. ounces)	TYPE PN SMA 24.0 N/A 2.0 /		
Connector Durability (min. cycles)	500	Captivation Center Contact: (Min. Axial Force)	6.0
Connector Engagement & Disengagement (max. inch lbs.)	TYPE PN SMA 6.0 2.0		

REMARKS: 1.) RECOMMENDED MATING TORQUE: PN 35-40 INCH POUNDS.
SMA 7-10 INCH POUNDS.

TITLE	SMA, PLUG TO TYPE PN, JACK, ADAPTER	SOLITRON/MICROWAVE PORT SALERNO, FLORIDA	SHEET 2 OF 2	DRAWING NO. SF1110-6001	REV -
-------	--	--	--------------	----------------------------	----------