

6 5 4 3 2 1

E E

D D

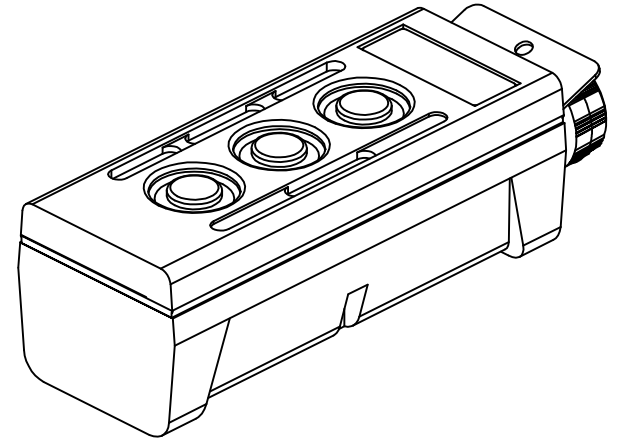
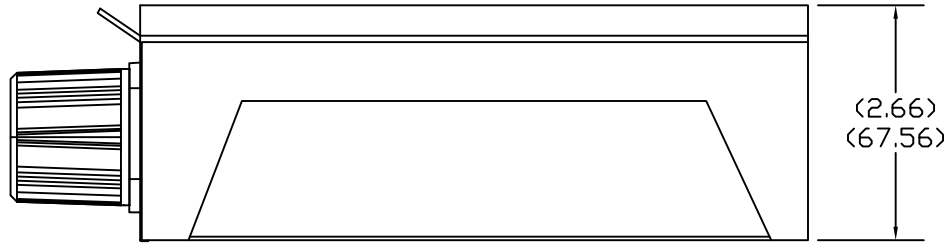
C C

B B

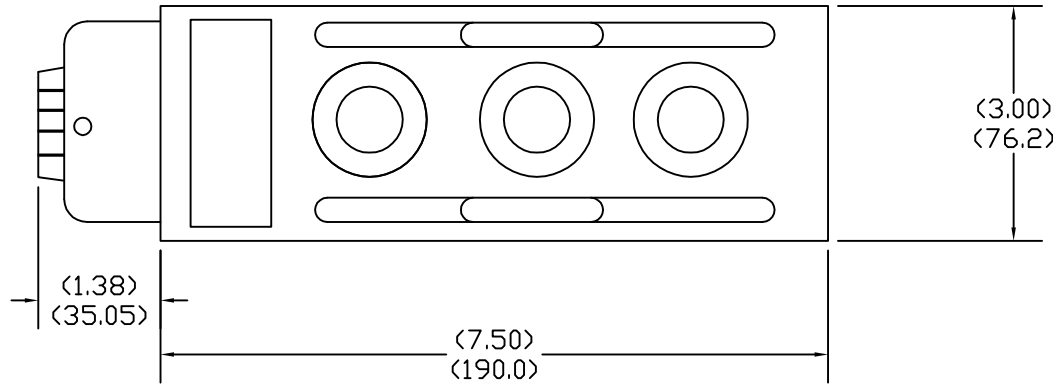
A A

6 5 4 3 2 1

SIDE VIEW



TOP VIEW



ENGINEERING NO. 4023	MATERIAL NO. SD-130126-011
-------------------------	-------------------------------

CUSTOMER DRAWING EC NO: WNA2008-0181 DRWN: TVICKERS 2008/04/03 CHKD: HK 2008/03/04 APPR: SZAFAR 2008/04/15 DESCRIPTION REV A	QUALITY SYMBOLS ▽=0 ∇=0	GENERAL TOLERANCES (UNLESS SPECIFIED) <table border="1"> <thead> <tr> <th></th> <th>mm</th> <th>INCH</th> </tr> </thead> <tbody> <tr> <td>4 PLACES</td> <td>±----</td> <td>±----</td> </tr> <tr> <td>3 PLACES</td> <td>±----</td> <td>±.005</td> </tr> <tr> <td>2 PLACES</td> <td>±----</td> <td>±.010</td> </tr> <tr> <td>1 PLACE</td> <td>±----</td> <td>±.020</td> </tr> </tbody> </table>		mm	INCH	4 PLACES	±----	±----	3 PLACES	±----	±.005	2 PLACES	±----	±.010	1 PLACE	±----	±.020	DIMENSION STYLE IN/MM DRAWN BY: TV DATE: 2008/03/04 CHECKED BY: HK DATE: 2008/03/04 APPROVED BY: SZ DATE: 2008/03/04 MATERIAL NO.: 1301260207	SCALE: NTS DESIGN UNITS: INCH THIRD ANGLE PROJECTION	TITLE: 3-BUTTON STATION 4023 MOLEX INCORPORATED DOCUMENT NO.: SD-130126-011 SHEET NO.: 1 OF 1
		mm	INCH																	
	4 PLACES	±----	±----																	
	3 PLACES	±----	±.005																	
	2 PLACES	±----	±.010																	
1 PLACE	±----	±.020																		
ANGULAR ±.5°		DRAFT WHERE APPLICABLE MUST REMAIN WITHIN DIMENSIONS	SIZE: A	THIS DRAWING CONTAINS INFORMATION THAT IS PROPRIETARY TO MOLEX INCORPORATED AND SHOULD NOT BE USED WITHOUT WRITTEN PERMISSION																

Mouser Electronics

Authorized Distributor

Click to View Pricing, Inventory, Delivery & Lifecycle Information:

Molex:

[1301260207](#) [4023](#)