
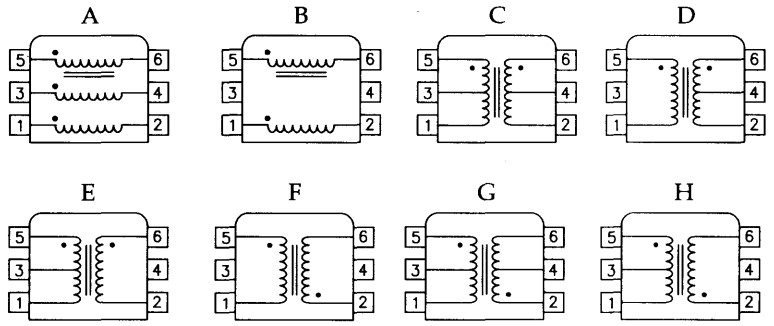


Single T1/CEPT Transformers

For T1/CEPT Telecom Applications
 Designed to meet CCITT & FCC Requirements
 1500 VRMS Minimum Isolation

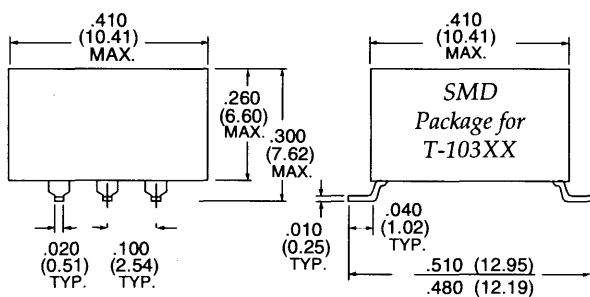
UL 1459 Recognized 



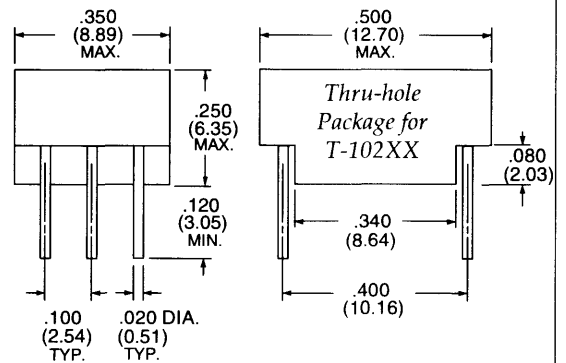
Electrical Specifications ^{1,2} at 25°C

| Thru-hole Part Number | SMD Part Number | Turns Ratio ($\pm 5\%$) | OCL min. (mH) | PRI-SEC C_{ww} max. (pF) | Leakage L_L max. (μ H) | Pri. DCR max. (Ω) | Sec. DCR max. (Ω) | Schem. Style | Primary Pins |
|-----------------------|-----------------|---------------------------|---------------|----------------------------|-------------------------------|----------------------------|----------------------------|--------------|--------------------|
| T-10200 | T-10300 | 1:1:1 | 1.2 | 25 | 0.5 | 0.7 | 0.7 | A | |
| T-10201 | T-10301 | 1:1:1 | 2.0 | 40 | 0.5 | 0.7 | 0.7 | A | |
| T-10202 | T-10302 | 1CT:3CT | 1.2 | 30 | 0.5 | 0.7 | 1.6 | C | 1-5 |
| T-10203 | T-10303 | 1:1 | 1.2 | 25 | 0.5 | 0.7 | 0.7 | B | |
| T-10204 | T-10304 | 1:1CT | 0.06 | 23 | .75 | 0.6 | 0.6 | E | 2-6 |
| T-10205 | T-10305 | 1CT:1 | 1.2 | 25 | 0.8 | 0.7 | 0.7 | E | 1-5 |
| T-10206 | T-10306 | 1:1.26CT | 0.06 | 23 | 0.75 | 0.6 | 0.6 | E | 2-6 |
| T-10210 | T-10310 | 1CT:2CT | 1.2 | 30 | 0.55 | 0.7 | 1.1 | C | 1-5 |
| T-10211 | T-10311 | 2CT:1CT | 2.0 | 30 | 1.5 | 0.7 | 0.4 | C | 1-5 |
| T-10212 | T-10312 | 2.53CT:1 | 2.0 | 20 | 1.5 | 1.0 | 0.5 | E | 1-5 |
| T-10213 | T-10313 | 1:1.36 | 1.2 | 35 | 0.8 | 0.7 | 0.7 | B | 5-6 |
| T-10214 | T-10314 | 1:1:1 | 1.2 | 40 | 0.7 | 0.9 | 0.9 | A | |
| T-10215 | T-10315 | 1:2CT | 1.2 | 40 | 0.5 | 0.7 | 1.1 | E | 2-6 |
| T-10216 | T-10316 | 1:2CT | 2.0 | 40 | 0.5 | 0.7 | 1.4 | E | 2-6 |
| T-10217 | T-10317 | 1:4CT | 0.5 | 40 | 1.0 | 0.5 | 1.5 | D | 1-5 |
| T-10218 | T-10318 | 1:1.14CT | 1.2 | 35 | 0.8 | 0.7 | 0.8 | D | 1-5 |
| T-10219 | T-10319 | 1:0.575:0.575 | 1.5 | 25 | 0.8 | 0.7 | 0.5 | A | 5-6 |
| T-10220 | T-10320 | 1:1 / 1.26 ⁽³⁾ | 1.5 | 35 | 0.4 | 0.7 | 0.9 | E | 2-6 ⁽³⁾ |
| T-10221 | T-10321 | 1:0.5:0.5 | 1.5 | 25 | 1.2 | 0.7 | 0.5 | A | 5-6 |
| T-10222 | T-10322 | 1:0.633:0.633 | 1.5 | 20 | 1.1 | 0.7 | 0.5 | A | 5-6 |
| T-10223 | T-10323 | 1:2.3CT | 1.2 | 35 | 0.8 | 0.7 | 1.15 | D | 1-5 |
| T-10224 | T-10324 | 1:1.36CT | 1.2 | 35 | 0.8 | 0.7 | 0.9 | D | 1-5 |
| T-10225 | T-10325 | 1CT:1CT | 1.2 | 25 | 0.8 | 0.8 | 0.8 | C | |
| T-10226 | T-10326 | 1:1.15CT | 1.5 | 35 | 0.6 | 0.7 | 0.9 | E | 2-6 |
| T-10227 | T-10327 | 1CT:2CT | 1.2 | 50 | 1.1 | 0.9 | 1.6 | C | 2-6 |
| T-10228 | T-10328 | 1:1 | 1.2 | 25 | 0.5 | 0.7 | 0.7 | F | |
| T-10229 | T-10329 | 1.37:1 | 1.2 | 35 | 0.8 | 0.8 | 0.7 | F | 1-5 |
| T-10230 | T-10330 | 1CT:1 | 1.2 | 35 | 0.5 | 0.8 | 0.8 | H | 1-5 |
| T-10231 | T-10331 | 1:1.36 | 1.2 | 35 | 0.8 | 0.8 | 0.8 | F | 1-5 |
| T-10232 | T-10332 | 1CT:2CT | 1.2 | 35 | 0.8 | 0.8 | 1.8 | G | 1-5 |
| T-10233 | T-10333 | 1:1.15CT | 1.2 | 35 | 0.5 | 0.8 | 0.8 | H | 2-6 |
| T-10234 | T-10334 | 1:1:1.266 | 1.2 | 35 | 0.8 | 0.8 | 0.8 | A | 1-2 |

1. ET-Product of 10 V- μ sec min.
2. OCL Measured across Primary @ 100 kHz & 20mV
3. T-10220: Sec. = Pins 3-5 for 75 Ω , Sec. = Pins 1-5 for 120 Ω .



Physical Dimensions inches (mm)



Specifications subject to change without notice.

For other values & Custom Designs, contact factory.

www.rhombus-ind.com • sales@rhombus-ind.com • TEL: (714) 898-0960 • FAX: (714) 896-0971