

CABLINE[®]-FX II & III

1.0mm Pitch

Horizontal Type



- This is Board-to-Cable receptacle connector suitable for LCD/FPD interface of LVDS transmission
- Cable assembly by blanket soldering with different size cables for SGC and Discrete wire
- W-Point contact with High mating reliability
- Soldering connection

【Number of Position】

30p

【Applicable Cable Size】

SGC	AWG #32, #34, #36, #40
TWINCOAX	AWG #40
DISCRETE	AWG #28, #32, #36

PLUG Connector Set (for Cable)

SET P/N	HOUSING P/N	SHELL A P/N	Product Name	NOTE
20337-*30T-11F	20338-*30T-11F	2030-0301F	CABLINE [®] -FX II-N	without LATCH
20339-*30T-12F	20340-*30T-12F	2030-0301F	CABLINE [®] -FX II-L	with LATCH
20385-*30T-12F	20386-*30T-12F	2030-0301F	CABLINE [®] -FX III	Large LATCH type

RECEPTACLE Connector Set (for PC Board)

P/N	Product Name
20389-*30E-02	CABLINE [®] -FX II RECE. For PLUG without Latch
20389-*30E-03	CABLINE [®] -FX II RECE. For PLUG with Latch

【Material / Finish】

Product	Parts	Material	Plating / Color
PLUG	HOUSING	LCP UL 94V-0	BLACK
	CONTACT	COPPER ALLOY	Au
	SHELL A	COPPER ALLOY	Sn
	SHELL B	COPPER ALLOY	Sn
	LATCH	STAINLESS STEEL	-
RECEPTACLE	HOUSING	LCP UL 94V-0	BLACK
	CONTACT	COPPER ALLOY	Au
	SHELL	COPPER ALLOY	Sn
	LATCH LOCK	STAINLESS STEEL	-

PLUG

CABLIN[®]-FX II-N

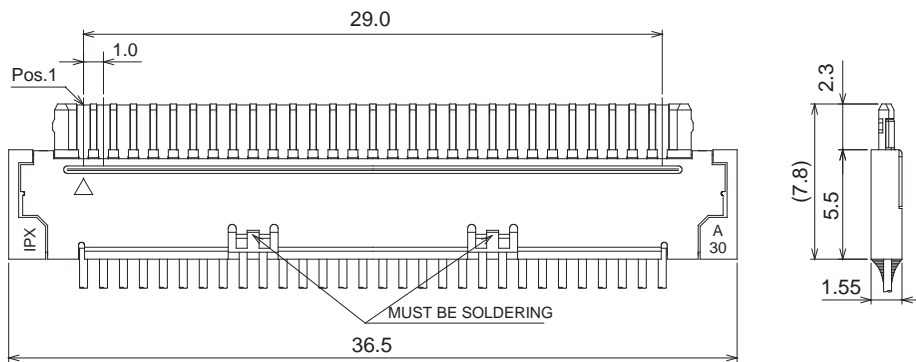
Parts Ordering (HOUSING)

20338- * 30 T-11F
① ② ③

①	CONTACT Au Plating	0	0.7 μm MIN.
		Y	0.2 μm MIN.
②	POS.	30	: 30pos.
③	Packaging	T	Tray

Parts Ordering (SHELL A)

2030-0301F



CABLIN[®]-FX II-L

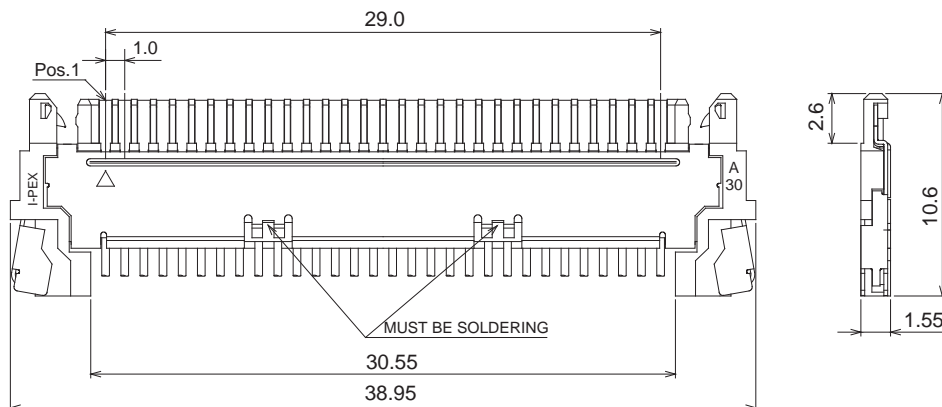
Parts Ordering (HOUSING)

20340- * 30 T-12F
① ② ③

①	CONTACT Au Plating	0	0.7 μm MIN.
		Y	0.2 μm MIN.
②	POS.	30	: 30pos.
③	Packaging	T	Tray

Parts Ordering (SHELL A)

2030-0301F



PLUG

CABLINE® -FX III

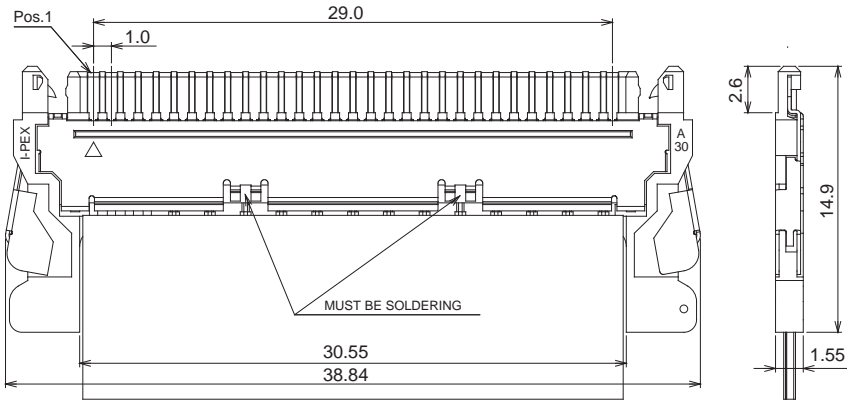
Parts Ordering (HOUSING)

20386- * 30 T -12F
 ① ② ③

Parts Ordering (SHELL A)

2030-0301F

①	CONTACT	0	0.7 μ m MIN.
	Au Plating	Y	0.2 μ m MIN.
②	POS.	30	: 30pos.
③	Packaging	T	Tray



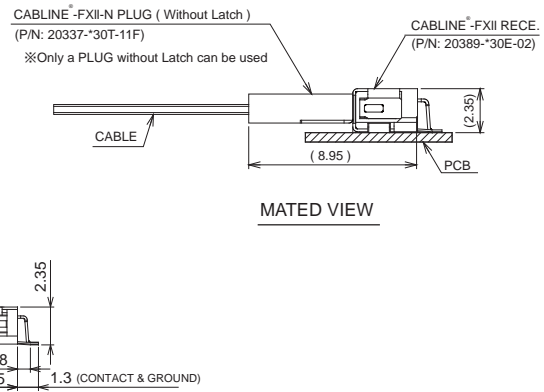
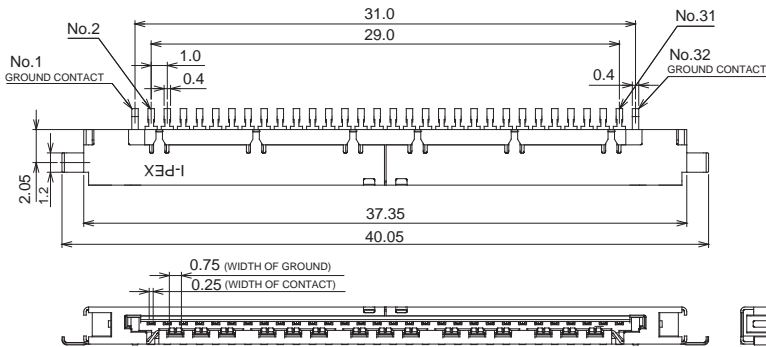
RECEPTACLE

For PLUG without Latch

【Ordering Code】

20389- * 30 E -02
 ① ② ③

①	CONTACT	0	0.7 μ m MIN.
	Au Plating	Y	0.2 μ m MIN.
②	POS.	30	30pos.
③	Packaging	E	Emboss Tape

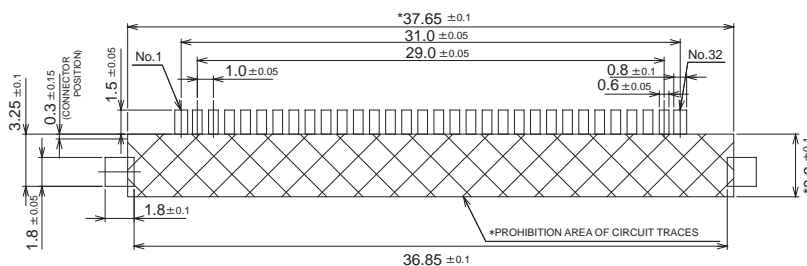
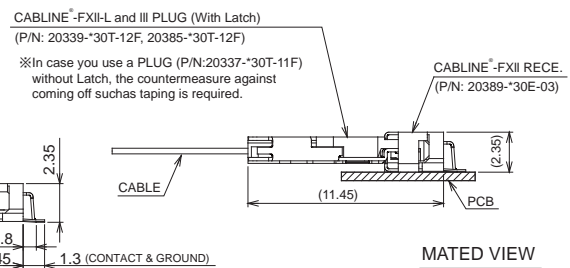
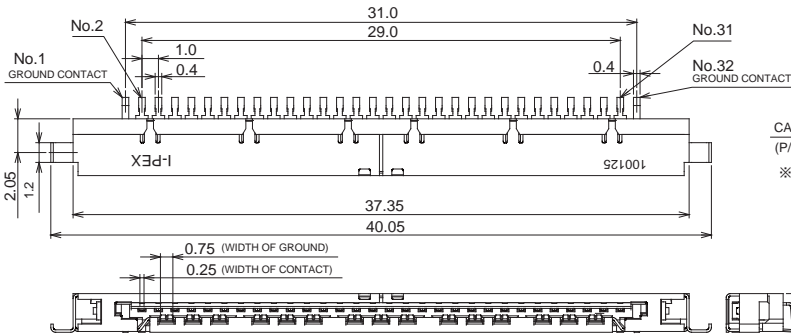


For PLUG with Latch

【Ordering Code】

20389- * 30 E -03
 ① ② ③

①	CONTACT	0	0.7 μ m MIN.
	Au Plating	Y	0.2 μ m MIN.
②	POS.	30	30pos.
③	Packaging	E	Emboss Tape



RECOMMENDED PATTERN LAYOUT