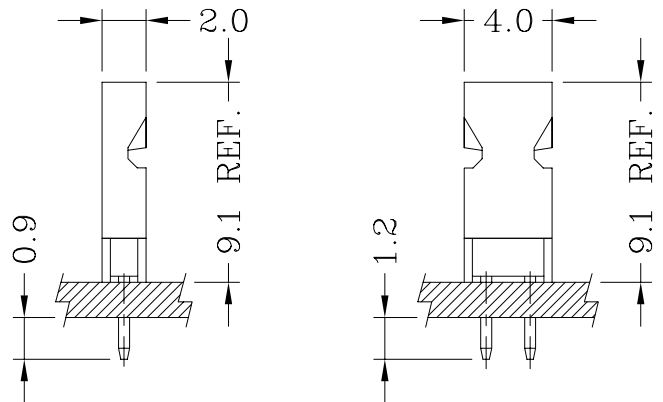
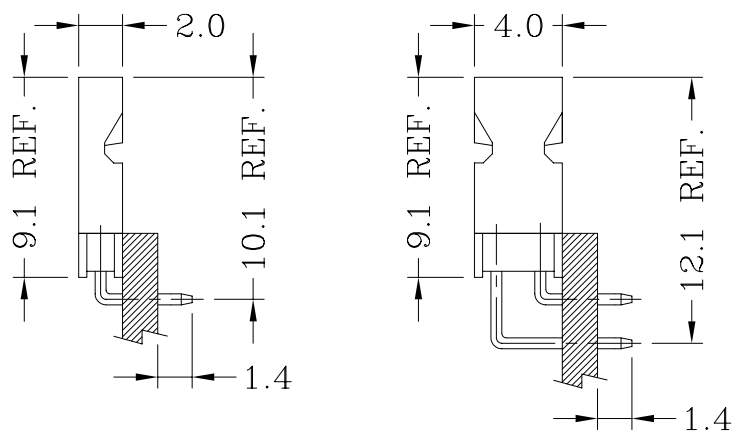


Assembly Layout
Straight Angle (V-Type)



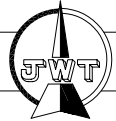
Right Angle (R-Type)



Specifications:

Poles	2~40/4~80 Poles
Pitch between poles	2.0mm
Rated Voltage	100V AC,DC
Rated Current	1A (AWG #26)
Withstand Voltage	800V AC/minute
Contact Resistance	20mΩ (MAX.)
Insulation Resistance	1,000MΩ (MIN.)
Temperature Range	-25~+95°C
Applicable P.C.B. Thickness	0.8~1.6mm
Applicable P.C.B. Hole dia.	φ0.80±0.05mm
Applicable Wire Range	AWG #26~#30

A2005 Series 2.00mm pitch single row crimp terminal socket

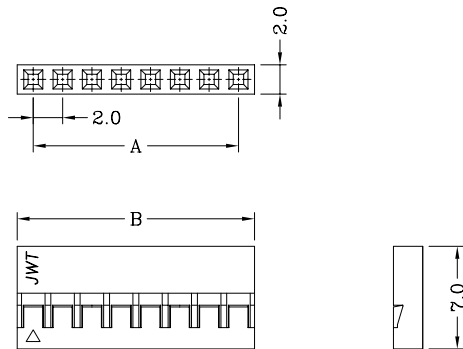


Features:

- * Single row
- * Available in 2 through 25 circuits
- * Material: PPO UL 94V-1 (Black)
- * Suitable for JWT A2005 series terminal
- * Mates with JWT A2003 series wafer

Dimensional & Ordering Information:

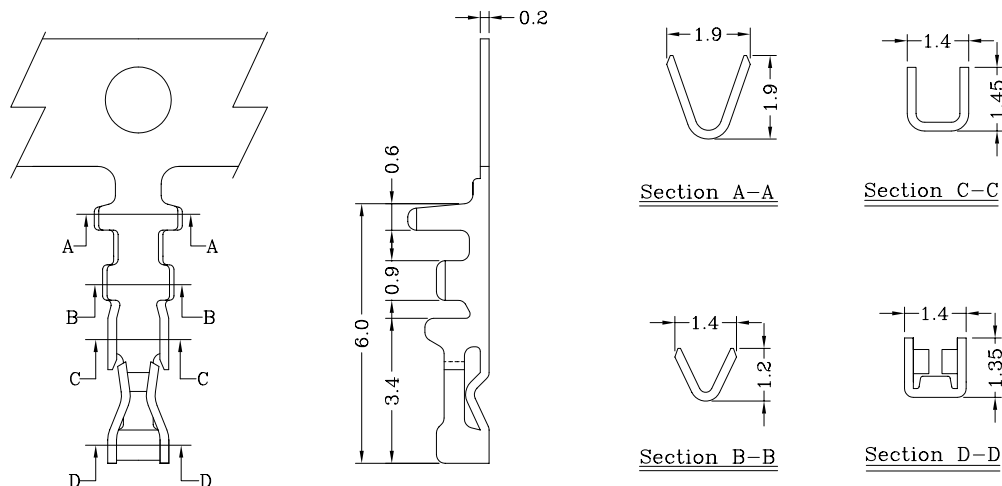
Circuits	Part No	Dimensions		Pcs/Bag
		A	B	
2	A2005H02-1x 2P	2.0	4.2	1000
3	A2005H02-1x 3P	4.0	6.2	1000
4	A2005H02-1x 4P	6.0	8.2	1000
5	A2005H02-1x 5P	8.0	10.2	1000
6	A2005H02-1x 6P	10.0	12.2	1000
7	A2005H02-1x 7P	12.0	14.2	1000
8	A2005H02-1x 8P	14.0	16.2	1000
9	A2005H02-1x 9P	16.0	18.2	1000
10	A2005H02-1x 10P	18.0	20.2	1000
11	A2005H02-1x 11P	20.0	22.2	1000
12	A2005H02-1x 12P	22.0	24.2	1000
13	A2005H02-1x 13P	24.0	26.2	1000
14	A2005H02-1x 14P	26.0	28.2	1000
15	A2005H02-1x 15P	28.0	30.2	1000
16	A2005H02-1x 16P	30.0	32.2	1000
17	A2005H02-1x 17P	32.0	34.2	500
18	A2005H02-1x 18P	34.0	36.2	500
19	A2005H02-1x 19P	36.0	38.2	500
20	A2005H02-1x 20P	38.0	40.2	500
21	A2005H02-1x 21P	40.0	42.2	500
22	A2005H02-1x 22P	42.0	44.2	500
23	A2005H02-1x 23P	44.0	46.2	500
24	A2005H02-1x 24P	46.0	48.2	500
25	A2005H02-1x 25P	48.0	50.2	500



A2005 Series 2.00mm pitch crimp terminal

Features:

- * Dual contact point
- * Used in JWT A2005 series socket



Specification & Ordering Information:

Part No	Wire Range	Insulation O.D.	Material	Finish	Qty/reel	Note
A2005TOB-0*	AWG #26~#30	1.35mm(max)	Brass	Gold-plated	20,000 pcs	
A2005TOP-0*	AWG #26~#30	1.35mm(max)	Phosphor Bronze	Gold-plated	20,000 pcs	
A2005TOB-0*L	AWG #26~#30	1.35mm(max)	Brass	Gold-plated	20,000 pcs	0*L -- Low mating / unmating force
A2005TOP-0*L	AWG #26~#30	1.35mm(max)	Phosphor Bronze	Gold-plated	20,000 pcs	0*L -- Low mating / unmating force

Note: Tin plating on crimp portion, Au over nickel on contact portion

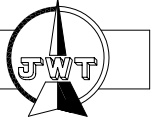
0*--Gold Plated with 50 " Nickel

00--1μ"Au, 0A--3μ"Au, 0B--4μ"Au, 0C--5μ"Au, 0D--15μ"Au, 0E--30μ"Au

0F--50μ"Au, 0G--10μ"Au, 0H--2μ"Au, 0I--20μ"Au, 0J--25μ"Au

A2005 Series

2.00mm pitch dual row crimp terminal socket

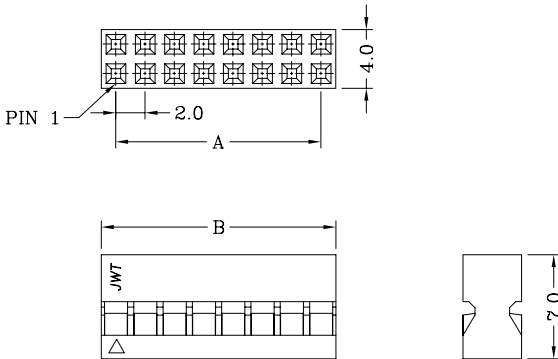


Features:

- * Dual row
- * Available in 4 through 60 circuits
- * Material: PPO UL 94V-1 (Black)
- * Suitable for JWT A2005 series terminal
- * Mates with JWT A2003 series wafer

Dimensional & Ordering Information:

Circuits	Part No	Dimensions		Pcs/Bag
		A	B	
4	A2005H02-2x2P	2.0	4.2	1000
6	A2005H02-2x3P	4.0	6.2	1000
8	A2005H02-2x4P	6.0	8.2	1000
10	A2005H02-2x5P	8.0	10.2	1000
12	A2005H02-2x6P	10.0	12.2	1000
14	A2005H02-2x7P	12.0	14.2	1000
16	A2005H02-2x8P	14.0	16.2	1000
18	A2005H02-2x9P	16.0	18.2	1000
20	A2005H02-2x10P	18.0	20.2	1000
22	A2005H02-2x11P	20.0	22.2	1000
24	A2005H02-2x12P	22.0	24.2	1000
26	A2005H02-2x13P	24.0	26.2	1000
28	A2005H02-2x14P	26.0	28.2	1000
30	A2005H02-2x15P	28.0	30.2	1000
32	A2005H02-2x16P	30.0	32.2	1000
34	A2005H02-2x17P	32.0	34.2	500
36	A2005H02-2x18P	34.0	36.2	500
38	A2005H02-2x19P	36.0	38.2	500
40	A2005H02-2x20P	38.0	40.2	500
42	A2005H02-2x21P	40.0	42.2	500
44	A2005H02-2x22P	42.0	44.2	500
46	A2005H02-2x23P	44.0	46.2	500
48	A2005H02-2x24P	46.0	48.2	500
50	A2005H02-2x25P	48.0	50.2	500
52	A2005H02-2x26P	50.0	52.2	500
54	A2005H02-2x27P	52.0	54.2	500

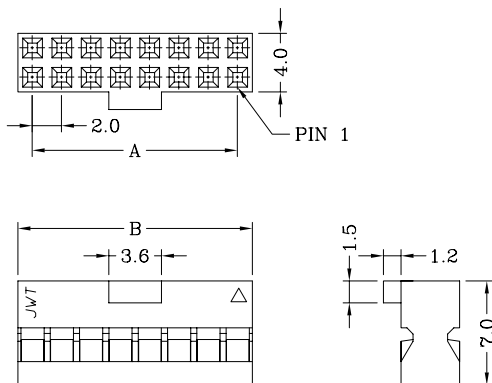


A2005H02-2xNP

- * Mates with JWT A2005 series wafer

Dimensional & Ordering Information:

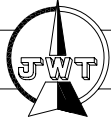
Circuits	Part No	Dimensions		Pcs/Bag
		A	B	
10	A2005H00-2Bx5P	8.0	10.2	1000
12	A2005H00-2Bx6P	10.0	12.2	1000
14	A2005H00-2Bx7P	12.0	14.2	1000
16	A2005H00-2Bx8P	14.0	16.2	1000
18	A2005H00-2Bx9P	16.0	18.2	1000
20	A2005H00-2Bx10P	18.0	20.2	1000
22	A2005H00-2Bx11P	20.0	22.2	1000
24	A2005H00-2Bx12P	22.0	24.2	1000
26	A2005H00-2Bx13P	24.0	26.2	1000
28	A2005H00-2Bx14P	26.0	28.2	1000
30	A2005H00-2Bx15P	28.0	30.2	1000
32	A2005H00-2Bx16P	30.0	32.2	1000
34	A2005H00-2Bx17P	32.0	34.2	500
36	A2005H00-2Bx18P	34.0	36.2	500
38	A2005H00-2Bx19P	36.0	38.2	500
40	A2005H00-2Bx20P	38.0	40.2	500
44	A2005H00-2Bx22P	42.0	44.2	500
50	A2005H00-2Bx25P	48.0	50.2	500
60	A2005H00-2Bx30P	58.0	60.2	500



A2005H00-2BxNP

A2005 Series

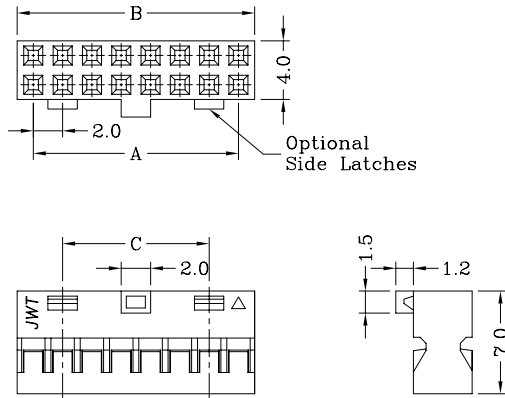
2.00mm pitch dual row crimp terminal socket



Features:

- * Dual row
- * Available in 4 through 60 circuits
- * Material: PPO UL 94V-1 (Black)
- * Suitable for JWT A2005 series terminal
- * Mates with JWT A2005 series wafer

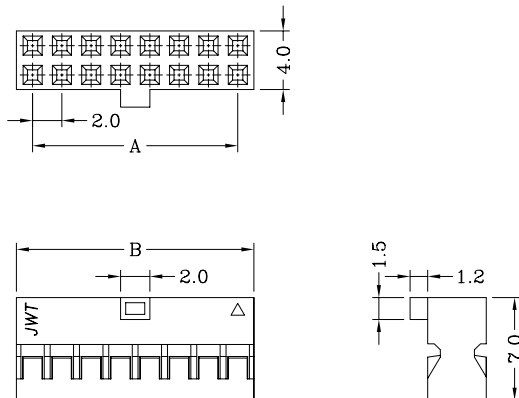
Dimensional & Ordering Information:



A2005H00-2CxNP

Circuits	Part No	Dimensions			Pcs/Bag
		A	B	C	
4	A2005H00-2Cx2P	2.0	4.2		1000
6	A2005H00-2Cx3P	4.0	6.2		1000
8	A2005H00-2Cx4P	6.0	8.2		1000
10	A2005H00-2Cx5P	8.0	10.2		1000
12	A2005H00-2Cx6P	10.0	12.2		1000
14	A2005H00-2Cx7P	12.0	14.2	8.0	1000
16	A2005H00-2Cx8P	14.0	16.2	10.0	1000
18	A2005H00-2Cx9P	16.0	18.2	12.0	1000
20	A2005H00-2Cx10P	18.0	20.2	14.0	1000
22	A2005H00-2Cx11P	20.0	22.2	16.0	1000
24	A2005H00-2Cx12P	22.0	24.2	18.0	1000
26	A2005H00-2Cx13P	24.0	26.2	20.0	1000
28	A2005H00-2Cx14P	26.0	28.2	22.0	1000
30	A2005H00-2Cx15P	28.0	30.2	24.0	1000
32	A2005H00-2Cx16P	30.0	32.2	26.0	1000
34	A2005H00-2Cx17P	32.0	34.2	28.0	500
36	A2005H00-2Cx18P	34.0	36.2	30.0	500
40	A2005H00-2Cx20P	38.0	40.2	34.0	500
42	A2005H00-2Cx21P	40.0	42.2	36.0	500
44	A2005H00-2Cx22P	42.0	44.2	38.0	500
46	A2005H00-2Cx23P	44.0	46.2	40.0	500
48	A2005H00-2Cx24P	46.0	48.2	42.0	500
50	A2005H00-2Cx25P	48.0	50.2	44.0	500
60	A2005H00-2Cx30P	58.0	60.2	54.0	500

Dimensional & Ordering Information:

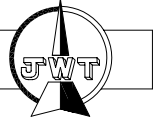


A2005H00-2DxNP

Circuits	Part No	Dimensions		Pcs/Bag
		A	B	
14	A2005H00-2Dx7P	12.0	14.2	1000
16	A2005H00-2Dx8P	14.0	16.2	1000
18	A2005H00-2Dx9P	16.0	18.2	1000
20	A2005H00-2Dx10P	18.0	20.2	1000
22	A2005H00-2Dx11P	20.0	22.2	1000
24	A2005H00-2Dx12P	22.0	24.2	1000
26	A2005H00-2Dx13P	24.0	26.2	1000
28	A2005H00-2Dx14P	26.0	28.2	1000
30	A2005H00-2Dx15P	28.0	30.2	1000
32	A2005H00-2Dx16P	30.0	32.2	1000
34	A2005H00-2Dx17P	32.0	34.2	500
36	A2005H00-2Dx18P	34.0	36.2	500
40	A2005H00-2Dx20P	38.0	40.2	500
42	A2005H00-2Dx21P	40.0	42.2	500
44	A2005H00-2Dx22P	42.0	44.2	500
46	A2005H00-2Dx23P	44.0	46.2	500
48	A2005H00-2Dx24P	46.0	48.2	500
50	A2005H00-2Dx25P	48.0	50.2	500
60	A2005H00-2Dx30P	58.0	60.2	500

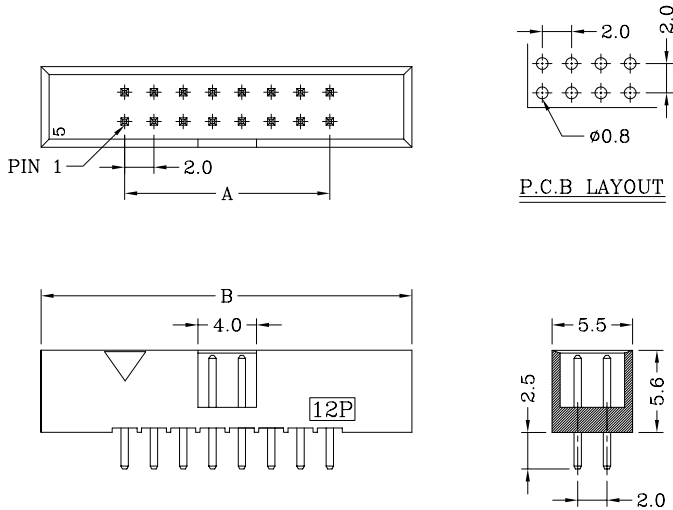
A2005 Series

2.00mm pitch dual row wafer (V & R-Type)



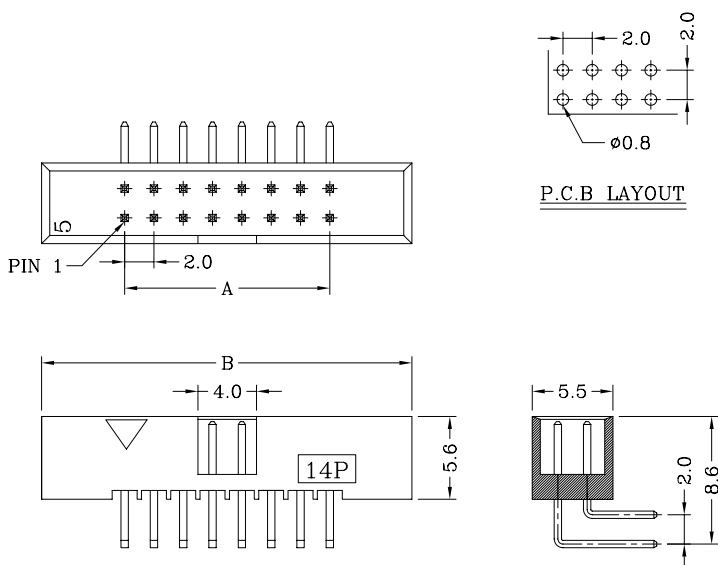
Features:

- * Material: Insulator: Nylon 6T UL 94V-0 (Black)
Contact: 0.50mm(0.020") gold flash finished square pin
- * Mates with JWT A2005H00-2BxNP sockets



Dimensional & Ordering Information:

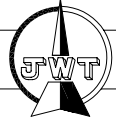
Circuit	Part No.	Dimension		Pcs/Tray
		A	B	
10	A2005WV0-2x5P	8.0	17.2	240
12	A2005WV0-2x6P	10.0	19.2	220
14	A2005WV0-2x7P	12.0	21.2	180
16	A2005WV0-2x8P	14.0	23.2	160
20	A2005WV0-2x10P	18.0	27.2	140
22	A2005WV0-2x11P	20.0	29.2	140
24	A2005WV0-2x12P	22.0	31.2	120
26	A2005WV0-2x13P	24.0	33.2	100
32	A2005WV0-2x16P	30.0	39.2	100
34	A2005WV0-2x17P	32.0	41.2	100
36	A2005WV0-2x18P	34.0	43.2	100
40	A2005WV0-2x20P	38.0	47.2	80
44	A2005WV0-2x22P	42.0	51.2	80
50	A2005WV0-2x25P	48.0	57.2	60
60	A2005WV0-2x30P	58.0	67.2	60



Dimensional & Ordering Information:

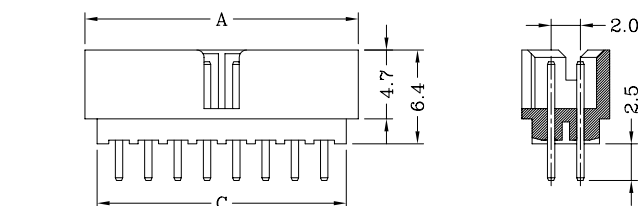
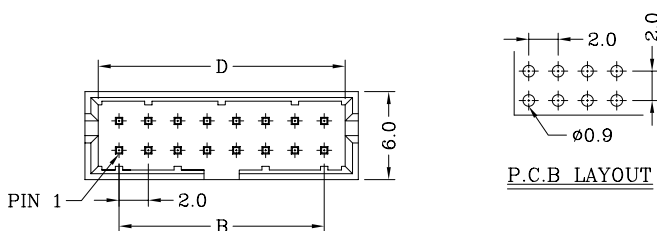
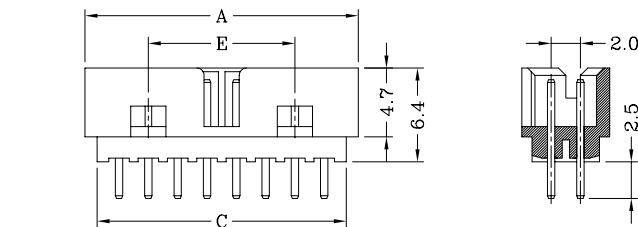
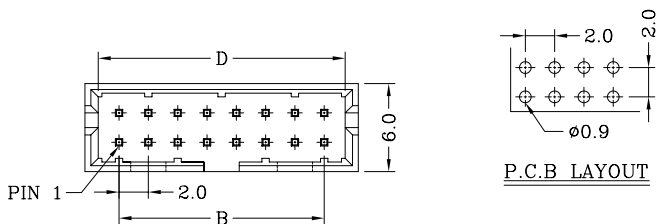
Circuit	Part No.	Dimension		Pcs/Tray
		A	B	
10	A2005WR0-2x5P	8.0	17.2	240
12	A2005WR0-2x6P	10.0	19.2	220
14	A2005WR0-2x7P	12.0	21.2	180
16	A2005WR0-2x8P	14.0	23.2	160
20	A2005WR0-2x10P	18.0	27.2	140
22	A2005WR0-2x11P	20.0	29.2	140
24	A2005WR0-2x12P	22.0	31.2	120
26	A2005WR0-2x13P	24.0	33.2	100
32	A2005WR0-2x16P	30.0	39.2	100
34	A2005WR0-2x17P	32.0	41.2	100
36	A2005WR0-2x18P	34.0	43.2	100
40	A2005WR0-2x20P	38.0	47.2	80
44	A2005WR0-2x22P	42.0	51.2	80
50	A2005WR0-2x25P	48.0	57.2	60
60	A2005WR0-2x30P	58.0	67.2	60

A2005 Series 2.00mm pitch dual row wafer (V-Type)



Features:

- * Available in 4 through 50 circuits
- * Material: Insulator: PBT UL 94V-0 with 30% GF (Black)
Contact: 0.50mm(0.020") gold flash finished square pin
- * Mates with JWT A2005H00-2CxNP & A2005H00-2DxNP sockets



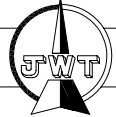
Dimensional & Ordering Information:

Circuit	Part No.	Dimension				
		A	B	C	D	E
4	A2005WV0-2Cx2P	6.65	2.00	5.00	4.85	
6	A2005WV0-2Cx3P	8.65	4.00	7.00	6.85	
8	A2005WV0-2Cx4P	10.65	6.00	9.00	8.85	
10	A2005WV0-2Cx5P	12.65	8.00	11.00	10.85	
12	A2005WV0-2Cx6P	14.65	10.00	13.00	12.85	
14	A2005WV0-2Cx7P	16.65	12.00	15.00	14.85	8.00
16	A2005WV0-2Cx8P	18.65	14.00	17.00	16.85	10.00
18	A2005WV0-2Cx9P	20.65	16.00	19.00	18.85	12.00
20	A2005WV0-2Cx10P	22.65	18.00	21.00	20.85	14.00
22	A2005WV0-2Cx11P	24.65	20.00	23.00	22.85	16.00
24	A2005WV0-2Cx12P	26.65	22.00	25.00	24.85	18.00
26	A2005WV0-2Cx13P	28.65	24.00	27.00	26.85	20.00
28	A2005WV0-2Cx14P	30.65	26.00	29.00	28.85	22.00
30	A2005WV0-2Cx15P	32.65	28.00	31.00	30.85	24.00
32	A2005WV0-2Cx16P	34.65	30.00	33.00	32.85	26.00
34	A2005WV0-2Cx17P	36.65	32.00	35.00	34.85	28.00
36	A2005WV0-2Cx18P	38.65	34.00	37.00	36.85	30.00
38	A2005WV0-2Cx19P	40.65	36.00	39.00	38.85	32.00
40	A2005WV0-2Cx20P	42.65	38.00	41.00	40.85	34.00
42	A2005WV0-2Cx21P	44.65	40.00	43.00	42.85	36.00
44	A2005WV0-2Cx22P	46.65	42.00	45.00	44.85	38.00
46	A2005WV0-2Cx23P	48.65	44.00	47.00	46.85	40.00
48	A2005WV0-2Cx24P	50.65	46.00	49.00	48.85	42.00
50	A2005WV0-2Cx25P	52.65	48.00	51.00	50.85	44.00

Dimensional & Ordering Information:

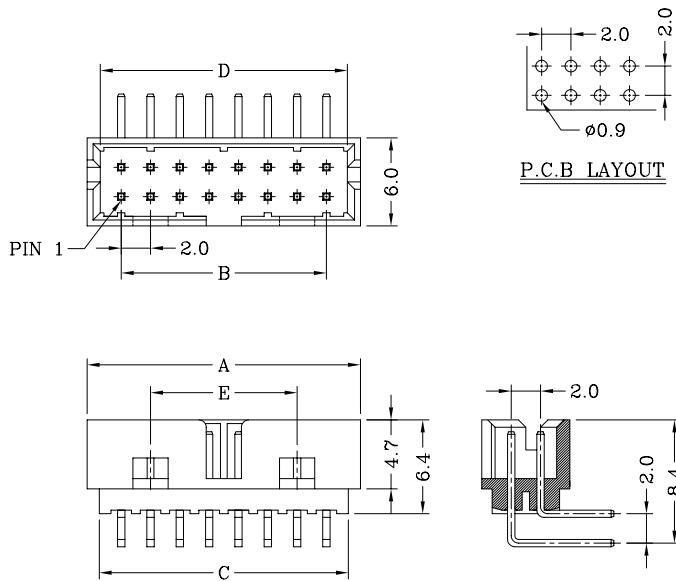
Circuit	Part No.	Dimension			
		A	B	C	D
14	A2005WV0-2Dx7P	16.65	12.00	15.00	14.85
16	A2005WV0-2Dx8P	18.65	14.00	17.00	16.85
18	A2005WV0-2Dx9P	20.65	16.00	19.00	18.85
20	A2005WV0-2Dx10P	22.65	18.00	21.00	20.85
22	A2005WV0-2Dx11P	24.65	20.00	23.00	22.85
24	A2005WV0-2Dx12P	26.65	22.00	25.00	24.85
26	A2005WV0-2Dx13P	28.65	24.00	27.00	26.85
28	A2005WV0-2Dx14P	30.65	26.00	29.00	28.85
30	A2005WV0-2Dx15P	32.65	28.00	31.00	30.85
32	A2005WV0-2Dx16P	34.65	30.00	33.00	32.85
34	A2005WV0-2Dx17P	36.65	32.00	35.00	34.85
36	A2005WV0-2Dx18P	38.65	34.00	37.00	36.85
38	A2005WV0-2Dx19P	40.65	36.00	39.00	38.85
40	A2005WV0-2Dx20P	42.65	38.00	41.00	40.85
42	A2005WV0-2Dx21P	44.65	40.00	43.00	42.85
44	A2005WV0-2Dx22P	46.65	42.00	45.00	44.85
46	A2005WV0-2Dx23P	48.65	44.00	47.00	46.85
48	A2005WV0-2Dx24P	50.65	46.00	49.00	48.85
50	A2005WV0-2Dx25P	52.65	48.00	51.00	50.85

A2005 Series 2.00mm pitch dual row wafer (R-Type)



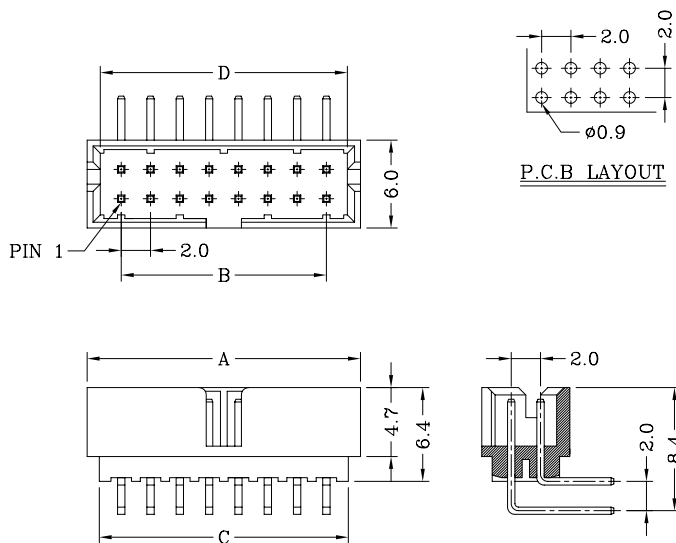
Features:

- * Available in 4 through 50 circuits
- * Material: Insulator: PBT UL 94V-0 with 30% GF (Black)
Contact: 0.50mm(0.020") gold flash finished square pin
- * Mates with JWT A2005H00-2CxNP & A2005H00-2DxNP sockets



Dimensional & Ordering Information:

Circuit	Part No.	Dimension				
		A	B	C	D	E
4	A2005WR0-2Cx2P	6.65	2.00	5.00	4.85	
6	A2005WR0-2Cx3P	8.65	4.00	7.00	6.85	
8	A2005WR0-2Cx4P	10.65	6.00	9.00	8.85	
10	A2005WR0-2Cx5P	12.65	8.00	11.00	10.85	
12	A2005WR0-2Cx6P	14.65	10.00	13.00	12.85	
14	A2005WR0-2Cx7P	16.65	12.00	15.00	14.85	8.00
16	A2005WR0-2Cx8P	18.65	14.00	17.00	16.85	10.00
18	A2005WR0-2Cx9P	20.65	16.00	19.00	18.85	12.00
20	A2005WR0-2Cx10P	22.65	18.00	21.00	20.85	14.00
22	A2005WR0-2Cx11P	24.65	20.00	23.00	22.85	16.00
24	A2005WR0-2Cx12P	26.65	22.00	25.00	24.85	18.00
26	A2005WR0-2Cx13P	28.65	24.00	27.00	26.85	20.00
28	A2005WR0-2Cx14P	30.65	26.00	29.00	28.85	22.00
30	A2005WR0-2Cx15P	32.65	28.00	31.00	30.85	24.00
32	A2005WR0-2Cx16P	34.65	30.00	33.00	32.85	26.00
34	A2005WR0-2Cx17P	36.65	32.00	35.00	34.85	28.00
36	A2005WR0-2Cx18P	38.65	34.00	37.00	36.85	30.00
38	A2005WR0-2Cx19P	40.65	36.00	39.00	38.85	32.00
40	A2005WR0-2Cx20P	42.65	38.00	41.00	40.85	34.00
42	A2005WR0-2Cx21P	44.65	40.00	43.00	42.85	36.00
44	A2005WR0-2Cx22P	46.65	42.00	45.00	44.85	38.00
46	A2005WR0-2Cx23P	48.65	44.00	47.00	46.85	40.00
48	A2005WR0-2Cx24P	50.65	46.00	49.00	48.85	42.00
50	A2005WR0-2Cx25P	52.65	48.00	51.00	50.85	44.00
52	A2005WR0-2Cx26P	54.65	50.00	53.00	52.85	46.00
54	A2005WR0-2Cx27P	56.65	52.00	55.00	54.85	48.00
56	A2005WR0-2Cx28P	58.65	54.00	57.00	56.85	50.00
58	A2005WR0-2Cx29P	60.65	56.00	59.00	58.85	52.00
60	A2005WR0-2Cx30P	62.65	58.00	61.00	60.85	54.00

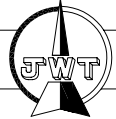


Dimensional & Ordering Information:

Circuit	Part No.	Dimension			
		A	B	C	D
14	A2005WRO-2Dx7P	16.65	12.00	15.00	14.85
16	A2005WRO-2Dx8P	18.65	14.00	17.00	16.85
18	A2005WRO-2Dx9P	20.65	16.00	19.00	18.85
20	A2005WRO-2Dx10P	22.65	18.00	21.00	20.85
22	A2005WRO-2Dx11P	24.65	20.00	23.00	22.85
24	A2005WRO-2Dx12P	26.65	22.00	25.00	24.85
26	A2005WRO-2Dx13P	28.65	24.00	27.00	26.85
28	A2005WRO-2Dx14P	30.65	26.00	29.00	28.85
30	A2005WRO-2Dx15P	32.65	28.00	31.00	30.85
32	A2005WRO-2Dx16P	34.65	30.00	33.00	32.85
34	A2005WRO-2Dx17P	36.65	32.00	35.00	34.85
36	A2005WRO-2Dx18P	38.65	34.00	37.00	36.85
38	A2005WRO-2Dx19P	40.65	36.00	39.00	38.85
40	A2005WRO-2Dx20P	42.65	38.00	41.00	40.85
42	A2005WRO-2Dx21P	44.65	40.00	43.00	42.85
44	A2005WRO-2Dx22P	46.65	42.00	45.00	44.85
46	A2005WRO-2Dx23P	48.65	44.00	47.00	46.85
48	A2005WRO-2Dx24P	50.65	46.00	49.00	48.85
50	A2005WRO-2Dx25P	52.65	48.00	51.00	50.85

A2005 Series

2.00mm pitch dual row wafer (SMT Boss-Type)

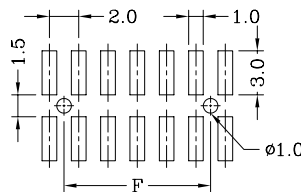
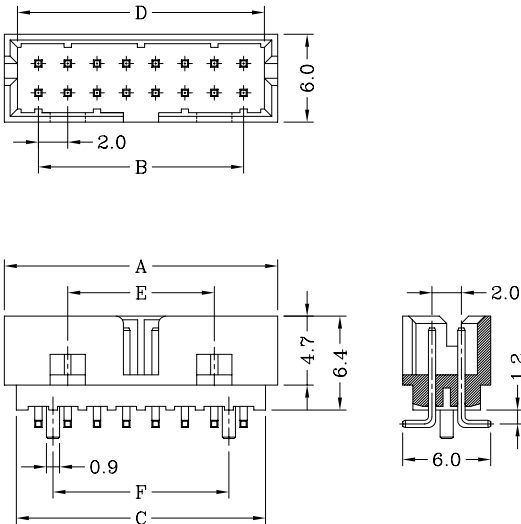


Features:

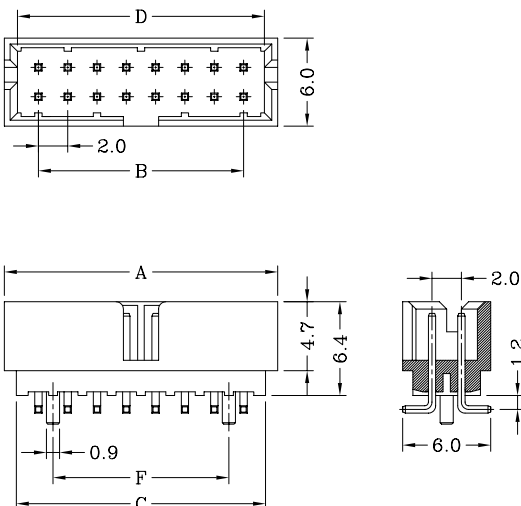
- * Available in 4 through 50 circuits
- * Material: Insulator: Nylon 46/9T UL 94V-0 with 30% GF (Black)
Contact: 0.50mm(0.020") gold flash finished square pin
- * Mates with JWT A2005H00-2CxNP & A2005H00-2DxNP sockets

Dimensional & Ordering Information:

Circuit	Part No.	Dimension					
		A	B	C	D	E	F
4	A2005WR0-2Cx2PBS	6.65	2.00	5.00	4.85		
6	A2005WR0-2Cx3PBS	8.65	4.00	7.00	6.85		2.00
8	A2005WR0-2Cx4PBS	10.65	6.00	9.00	8.85		4.00
10	A2005WR0-2Cx5PBS	12.65	8.00	11.00	10.85		6.00
12	A2005WR0-2Cx6PBS	14.65	10.00	13.00	12.85		8.00
14	A2005WR0-2Cx7PBS	16.65	12.00	15.00	14.85	8.00	10.00
16	A2005WR0-2Cx8PBS	18.65	14.00	17.00	16.85	10.00	12.00
18	A2005WR0-2Cx9PBS	20.65	16.00	19.00	18.85	12.00	14.00
20	A2005WR0-2Cx10PBS	22.65	18.00	21.00	20.85	14.00	16.00
22	A2005WR0-2Cx11PBS	24.65	20.00	23.00	22.85	16.00	18.00
24	A2005WR0-2Cx12PBS	26.65	22.00	25.00	24.85	18.00	20.00
26	A2005WR0-2Cx13PBS	28.65	24.00	27.00	26.85	20.00	22.00
28	A2005WR0-2Cx14PBS	30.65	26.00	29.00	28.85	22.00	24.00
30	A2005WR0-2Cx15PBS	32.65	28.00	31.00	30.85	24.00	26.00
32	A2005WR0-2Cx16PBS	34.65	30.00	33.00	32.85	26.00	28.00
34	A2005WR0-2Cx17PBS	36.65	32.00	35.00	34.85	28.00	30.00
36	A2005WR0-2Cx18PBS	38.65	34.00	37.00	36.85	30.00	32.00
38	A2005WR0-2Cx19PBS	40.65	36.00	39.00	38.85	32.00	34.00
40	A2005WR0-2Cx20PBS	42.65	38.00	41.00	40.85	34.00	36.00
42	A2005WR0-2Cx21PBS	44.65	40.00	43.00	42.85	36.00	38.00
44	A2005WR0-2Cx22PBS	46.65	42.00	45.00	44.85	38.00	40.00
46	A2005WR0-2Cx23PBS	48.65	44.00	47.00	46.85	40.00	42.00
48	A2005WR0-2Cx24PBS	50.65	46.00	49.00	48.85	42.00	44.00
50	A2005WR0-2Cx25PBS	52.65	48.00	51.00	50.85	44.00	46.00
52	A2005WR0-2Cx26PBS	54.65	50.00	53.00	52.85	46.00	48.00
54	A2005WR0-2Cx27PBS	56.65	52.00	55.00	54.85	48.00	50.00
56	A2005WR0-2Cx28PBS	58.65	54.00	57.00	56.85	50.00	52.00
58	A2005WR0-2Cx29PBS	60.65	56.00	59.00	58.85	52.00	54.00
60	A2005WR0-2Cx30PBS	62.65	58.00	61.00	60.85	54.00	56.00



P.C.B LAYOUT



Dimensional & Ordering Information:

Circuit	Part No.	Dimension				
		A	B	C	D	F
14	A2005WR0-2Dx7PBS	16.65	12.00	15.00	14.85	10.00
16	A2005WR0-2Dx8PBS	18.65	14.00	17.00	16.85	12.00
18	A2005WR0-2Dx9PBS	20.65	16.00	19.00	18.85	14.00
20	A2005WR0-2Dx10PBS	22.65	18.00	21.00	20.85	16.00
22	A2005WR0-2Dx11PBS	24.65	20.00	23.00	22.85	18.00
24	A2005WR0-2Dx12PBS	26.65	22.00	25.00	24.85	20.00
26	A2005WR0-2Dx13PBS	28.65	24.00	27.00	26.85	22.00
28	A2005WR0-2Dx14PBS	30.65	26.00	29.00	28.85	24.00
30	A2005WR0-2Dx15PBS	32.65	28.00	31.00	30.85	26.00
32	A2005WR0-2Dx16PBS	34.65	30.00	33.00	32.85	28.00
34	A2005WR0-2Dx17PBS	36.65	32.00	35.00	34.85	30.00
36	A2005WR0-2Dx18PBS	38.65	34.00	37.00	36.85	32.00
38	A2005WR0-2Dx19PBS	40.65	36.00	39.00	38.85	34.00
40	A2005WR0-2Dx20PBS	42.65	38.00	41.00	40.85	36.00
42	A2005WR0-2Dx21PBS	44.65	40.00	43.00	42.85	38.00
44	A2005WR0-2Dx22PBS	46.65	42.00	45.00	44.85	40.00
46	A2005WR0-2Dx23PBS	48.65	44.00	47.00	46.85	42.00
48	A2005WR0-2Dx24PBS	50.65	46.00	49.00	48.85	44.00
50	A2005WR0-2Dx25PBS	52.65	48.00	51.00	50.85	46.00