

# 10Base-T Interface Module with Common Mode Choke

## EPE6062S & EPE6062S-RC

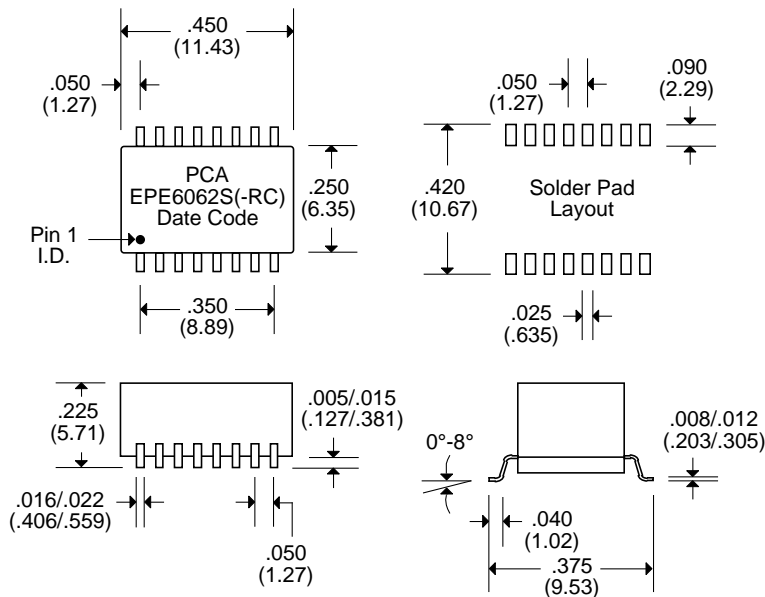


- Complies with or exceed IEEE802.3, 10Base- T Standards
- Add “-RC” after part number for RoHS Compliant
- Packaged in Tubes or Tape and Reel
- 2000 Vrms Isolation

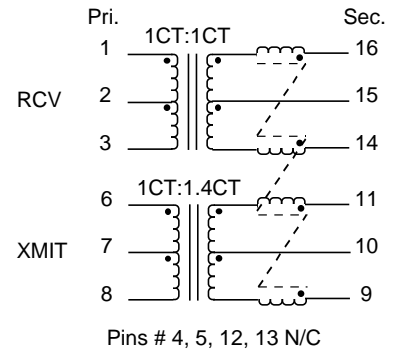
### Electrical Parameters @ 25° C

Primary OCL (uH Min.)	Leakage Inductance (uH Max.)	Interwinding Capacitance (pF Max.)	DCR ( Max.)
@100 KHz, 20m Vrms	@100 KHz, 20m Vrms	@100 KHz, 20m Vrms	
200	0.30	20	0.90
Pins 1-3 & Pins 6-8	Pins 1-3 & Pins 6-8	Pri. to Sec	Pins 1-3 & Pins 6-8

### Package



### Schematic



Notes :	EPE6062S	EPE6062S-RC
1. Assembly Process (Solder Composition)	SnPb	Pb-Free + (RoHS exemption 7a)
2. Peak Solder Rating (per IPC/JEDEC J-STD-020C)	225°C	260°C
3. Moisture Sensitive Levels (MSL) (per IPC/JEDEC J-STD-020C)	MSL = 3 (168 Hours, 30°C/60%RH)	MSL = 4 (72 Hours, 30°C/60%RH)
4. Weight	0.84 grams	0.84 grams
5. Packaging Information (*Add "TR" to end of part number when placing order)	(Tube) 39 pieces/tube	39 pieces/tube
	(Tape & Reel) 600 pieces/13" reel (*EPE6062S-TR)	600 pieces/13" reel (*EPE6062S-RCTR)

Unless Otherwise Specified Dimensions are in Inches /mm ± .010 / .25