

E-Series Surface Mount Mixer

800 - 1050 MHz

EMRS-860, EMRSL-860

V3.00

Features

- LO Power: +7 dBm
- Up to +1 dBm RF
- Surface Mount

Specifications @ 25°C

Frequency Range		
RF		800 - 1050 MHz
LO		800 - 1050 MHz
IF		DC - 250 MHz
Conversion Loss (dB)		
800 - 1050 MHz	Typical 5.5	Maximum 7.5
Isolation (dB)		
LO to RF	Typical 36	Minimum 25
800 - 1050 MHz		
LO to IF	24	18
800 - 1050 MHz		

Operating Characteristics

Impedance	50 Ohms Nominal
RF input for 1dB Compression	+ 1 dBm

Ordering Information

Part No.	Packaging
EMRS-860	SM-1 in Tubes
EMRS-860TR	SM-1 in Forward Tape & Reel
EMRSL-860	SM-24 in Tubes
EMRSL-860TR	SM-24 in Forward Tape & Reel

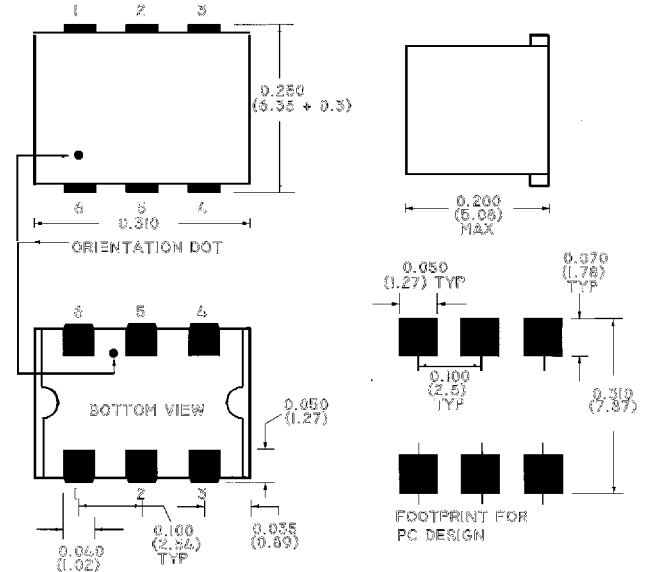
Absolute Maximum Ratings

Parameter	Absolute Maximum
RF Power	50 mW
Peak IF Current	40 mA
Storage Temperature	-55°C to 100°C
Operating Temperature	-55°C to 100°C
Pin Temperature (10 Seconds)	260°C

Pin Configuration (Typical):

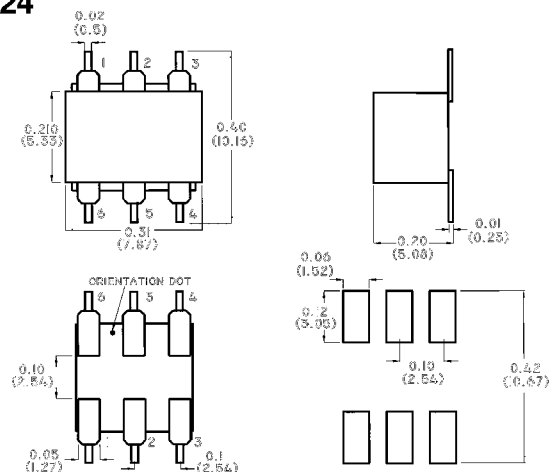
Function	Pin No.
LO	1
RF	4
IF	5
Ground	2,3,6

SM-1



Dimensions in () are in mm.
Unless Otherwise Noted: .x = ±0.04 (1.00)
.xx = ±0.02 (0.50)
.xxx = ±0.010 (0.250)

SM-24



Dimensions in () are in mm.
Unless Otherwise Noted: .x = ±0.04 (1.00)
.xx = ±0.02 (0.50)
.xxx = ±0.010 (0.250)

Specifications Subject to Change Without Notice.

S 0514 B, S 0464 C

M/A-COM, Inc.

1

North America: Tel. (800) 366-2266 ■ Asia/Pacific: Tel. +81 (03) 3226-1671 ■ Europe: Tel. +44 (1344) 869 595
Fax (800) 618-8883 Fax +81 (03) 3226-1451 Fax +44 (1344) 300 020