

FEATURES

- Micro miniature and low profile
- Low leakage
- High performance at high frequencies
- Low price
- Available cable assembly
- Available with ultra-thin coaxial cables

APPLICATIONS

Portable telephones, mobile telephones, cordless telephones, oscilloscope, GPS, microwave equipment, high-end workstations

PART NUMBERING

Part Number	Description
MM3325-2505	Straight jack connector for printed circuits (with male contact)
MM3325-2507	Straight jack connector with insulation spacer for printed circuits (with male contact)
MM3326-2506	Right angle jack connector for printed circuits (with male contact)
MM3327-2514	Straight plug receptacle for use on printed circuit boards—mates with MM3325-2505
MX YH □ □ □ □ □ □ □ □	Right angle plug connector for flexible cables assembly (with female contact) See table on right.

SPECIFICATIONS

Item	Rating
Voltage	250V r.m.s.
Frequency	DC to 4GHz
	DC to 2GHz (MM3326-2506 and MM3327-2514 only)
Nominal Impedance	50Ω
Temperature Range	-40°C to +90°C
Insulation Resistance	1000MΩ Min.
Contact Resistance	10mΩ Max.
Withstanding Voltage	300VAC r.m.s.
V.S.W.R.	1.2 Max.
Mating Cycles	50

MATERIALS & FINISH, CONNECTOR & RECEPTACLE

Part Name	Materials	Finish
Center Contact	Beryllium copper or Brass	Gold plated
Outer Contact	Phosper bronze	Silver plated or Nickel plated
Insulator	Poly-phenylene sulfide or Poly-butylene terephthalate	None
Outer Sleeve	Brass	Zinc plated

PART NUMBERING FOR CABLE ASSEMBLY

MX	YH	62	XX	200	0
①	②	③	④	⑤	⑥

① Cable assembly

② ④ Connector code for each end of cable

Number	Connector
YH	BFA Type Plug Connector
XX	No Connector

③ Cable number

Number	Cable	Outer Diameter	Outer Conductor	Bending Radius
62	0.8D-QEW	2.5 mm	Double Shield	8mm
63	0.8D-QEV	2.0 mm	Single Shield	8mm
75	0.8D	1.5 mm	Double Shield	8mm
77	0.8D	1.5 mm	Double Shield	8mm

⑤ ⑥ Full length of cable assembly
 Length L (mm) = ⑥ × 10^⑤
 Ex. 100mm = 100 × 10⁰ → 1000
 500mm = 500 × 10⁰ → 5000
 1000mm = 100 × 10¹ → 1001

Detailed Cable Specifications are on Pages 54 & 55.

FULL LENGTH TOLERANCE

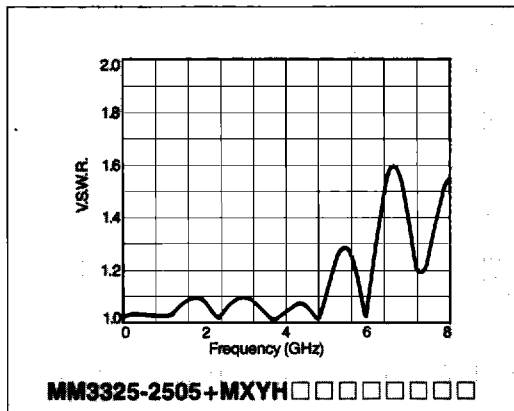
Full Length (mm)*		Dimensional Tolerance (mm)
From	To	
50	100	± 3
100	500	± 4
500	1000	± 10
1000	—	+2% -0

*L = 50mm Min.

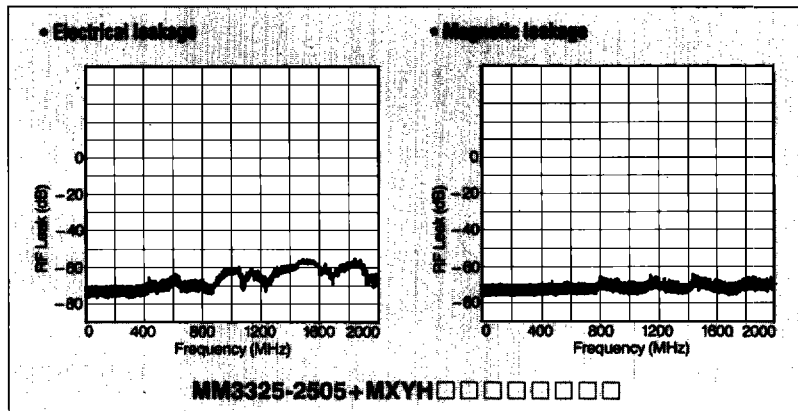
COAXIAL CONNECTORS MICRO MINIATURE

BFA Series

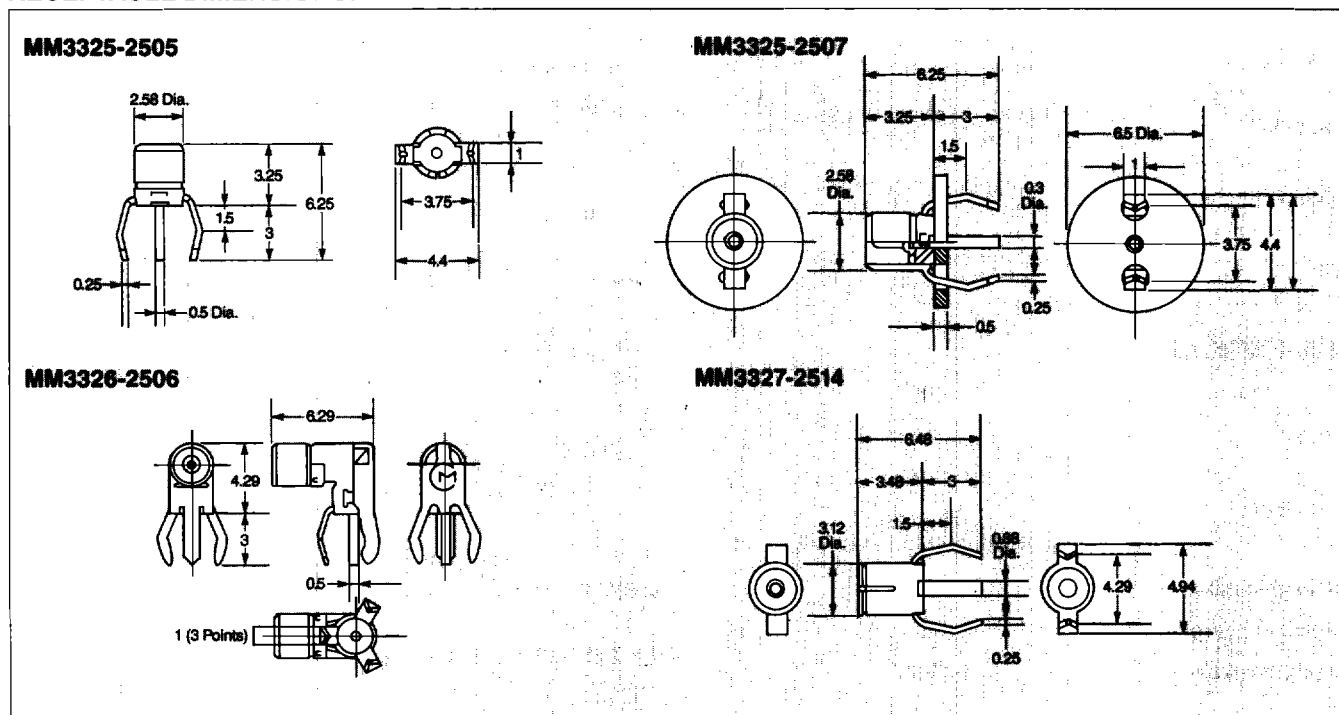
TYPICAL V.S.W.R.



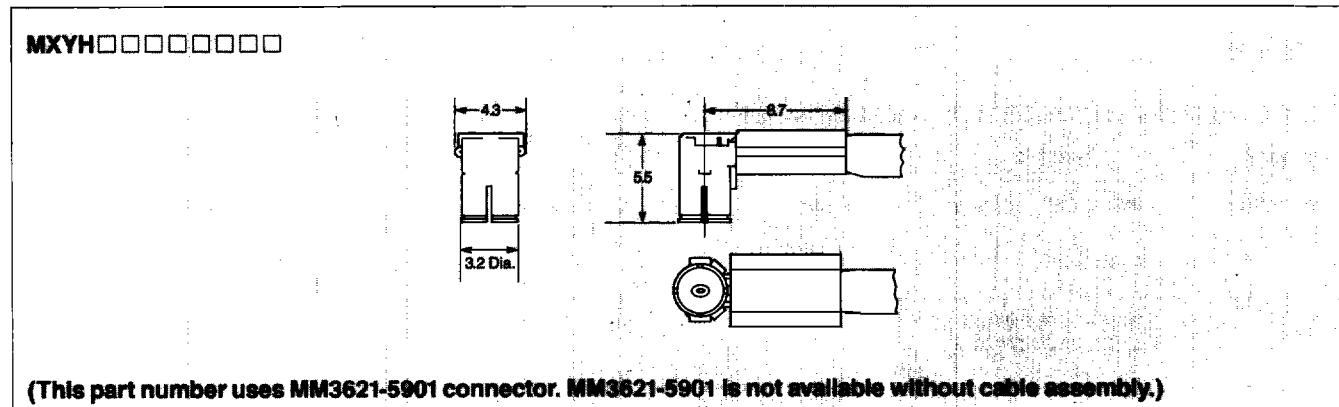
TYPICAL RF LEAKAGE



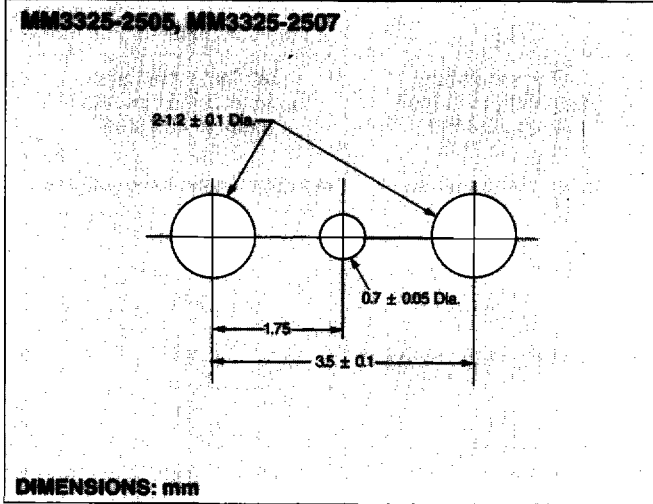
RECEPTACLE DIMENSIONS: mm



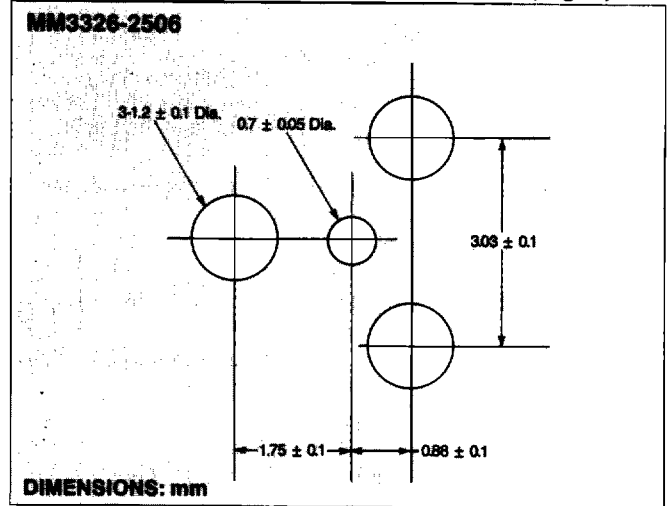
CONNECTOR DIMENSIONS: mm



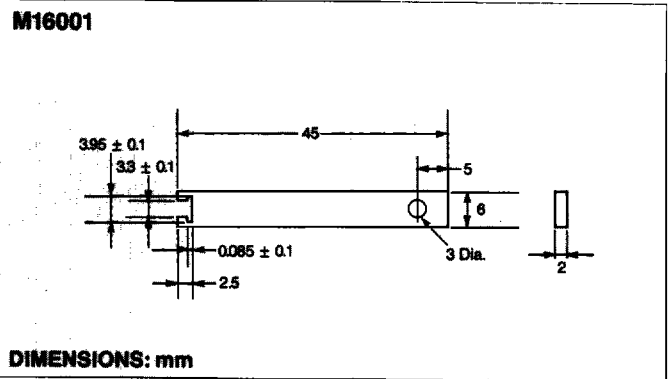
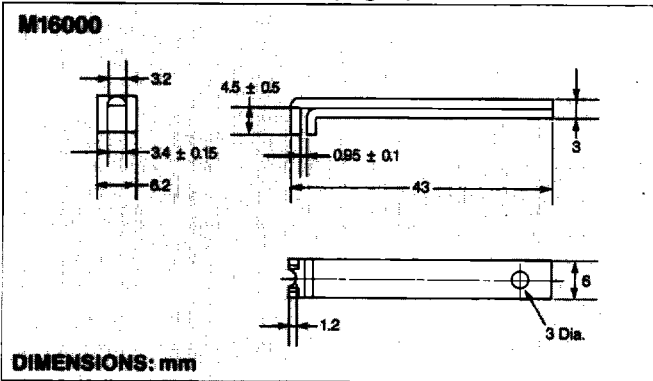
RECOMMENDED MOUNTING DIMENSION (Fig. 1)



RECOMMENDED MOUNTING DIMENSION (Fig. 2)



DISENGAGEMENT TOOLS (Fig. 5)



SMA-BFA ADAPTERS (Fig. 6)

