



Highlights

- 1 to n poles
- 1 pole module
- Push-In connection
- Spacing 3.5 mm
- Wire entry 45° to PCB
- With lever
- With alternating pins
- Alternating pinning starts with the front right pole

Wire Sizes

Solid min	0.08 mm ²
Solid max	1.5 mm ²
Stranded (flexible) min	0.14 mm ²
Stranded (flexible) max	1.0 mm ²
Stranded with ferrule min	0.14 mm ²
Stranded with ferrule max	0.5 mm ²

Dimensions

Stripped length	9.0 mm
PCB hole diameter	1.0 mm

Materials

Contact tag	Copper Alloy
-------------	--------------

Insulating Material

Material	PA 6.6
Flammability class	UL 94 V-0

Temperatures

Operating temperature (without mech. load)	-40 °C - 105 °C
Store temperature	-40 °C - 105 °C

Wave Soldering Process

Soldering temperature, recommended	260 °C
Peak soldering time, recommended	3-4 s

**Technical Data // AK4291/..KDVP-3.5-PEBBLE GREY**

Spacing 3.5 mm

Reflow Process

Soldering temperature, recommended -

Peak soldering time, recommended -

Colours



PEBBLE GREY, RAL 7032

ORANGE, RAL 2011






BLUE, RAL 5015

LIGHT GREEN, similar RAL 6018

Colours according to RAL, there may be variations on colour due to production conditions.
Special colours on request.**Ratings**

						
UseGroup	B	C	D			
Rated voltage	300 V	-	300 V	250 V		
Rated current	6 A	-	6 A	3 A		
Rated wire size	min					max
- solid	AWG 22-16	-	AWG 22-16	0.2 mm ²	0.75 mm ²	
- stranded	-	-	-	-	-	
Test voltage	1.60 kV	-	1.60 kV	2.0 kV		

Accessoires

Figure	Designation	Article Number
	Spacer SPC-AK4291-PEBBLE GREY	Order Data: 54291000000
	Bridge, 2-pole, insulated, BRI/2-7.0/7.62-L7.5-LIGHT GREY	Order Data: 50000000018
	Bridge, 2-pole, BR/2-3.5/3.81-L7.5	Order Data: 50000000015
	Bridge, 3-pole, BR/3-3.5/3.81-L7.5	Order Data: 50000000016
	Bridge, 2-pole, angled, BR/2-3.5/3.81-H-L7.5	Order Data: 50000000029



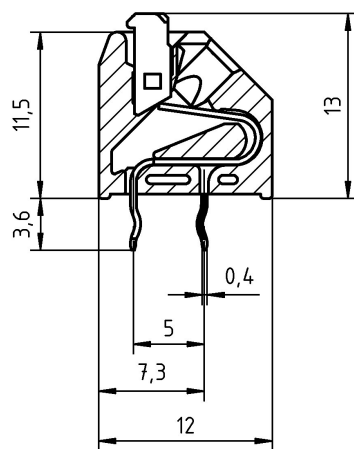
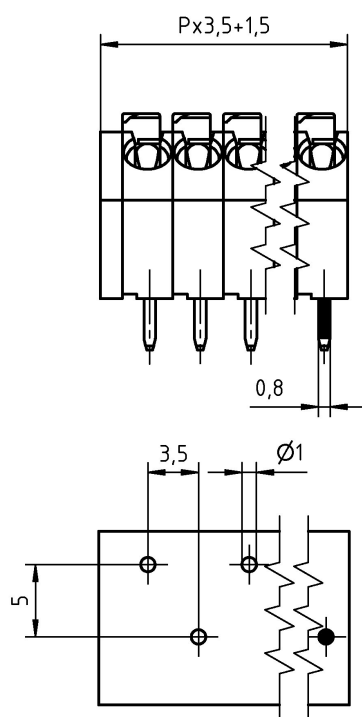
Technical Data // **AK4291/..KDVP-3.5-PEBBLE GREY**

Spacing 3.5 mm

Order Data (Spacing 3.5 mm)

Number of Poles	Width (mm)	Article Designation	Article Number	PU
1	5.00	AK4291/1KDVP-3.5-PEBBLE GREY	54291010051 G	250
2	8.50	AK4291/2KDVP-3.5-PEBBLE GREY	54291020051 F	200
3	12.00	AK4291/3KDVP-3.5-PEBBLE GREY	54291030051 F	200
4	15.50	AK4291/4KDVP-3.5-PEBBLE GREY	54291040051 F	200
5	19.00	AK4291/5KDVP-3.5-PEBBLE GREY	54291050051 E	100
6	22.50	AK4291/6KDVP-3.5-PEBBLE GREY	54291060051 E	100
7	26.00	AK4291/7KDVP-3.5-PEBBLE GREY	54291070051 E	100
8	29.50	AK4291/8KDVP-3.5-PEBBLE GREY	54291080051 D	50
9	33.00	AK4291/9KDVP-3.5-PEBBLE GREY	54291090051 D	50
10	36.50	AK4291/10KDVP-3.5-PEBBLE GREY	54291100051 D	50
11	40.00	AK4291/11KDVP-3.5-PEBBLE GREY	54291110051 D	50
12	43.50	AK4291/12KDVP-3.5-PEBBLE GREY	54291120051 D	50

Technical drawing



Versetztes Pinning (VP) beginnt mit dem vorderen rechten Pin.