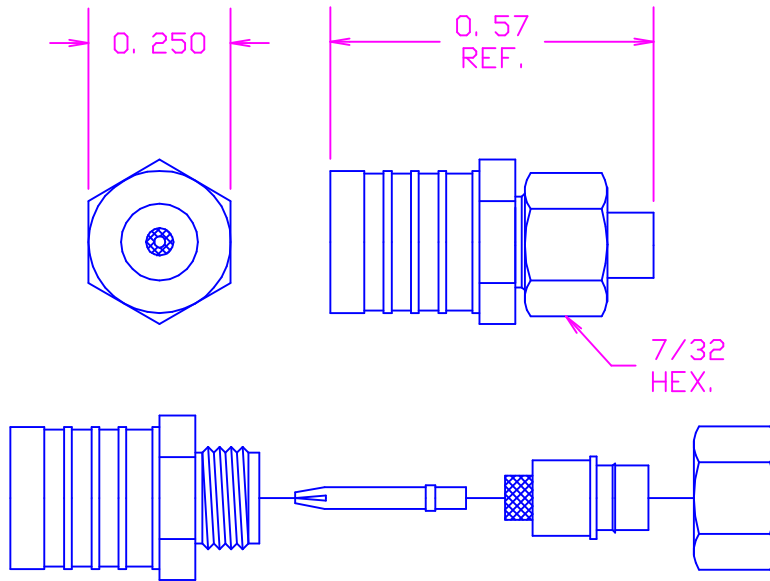


DATE	SYM	REVISION	RECORD	AUTH.	DR.	CK.
					NT	



MATERIAL: BODY- BRASS PER ASRM B16
CONTACT- BERYLLIUM COPPER PER ASTM B196
INSULATION- PTFE PER ASTM D1710

FINISH: BODY- GOLD PLATED
CONTACT- .0001"MIN. GOLD PER MIL-G-45204

IMPEDANCE: 50 OHMS REF.

CABLE: .070 SEMI-RIGID

ACTUAL SIZE



TOLERANCES REF. ONLY	CONCORD ELECTRONICS CORPORATION		
DECIMAL + -	P/N	SCALE	30 GREAT JONES ST. NEW YORK N. Y. 10012
FRACTIONAL + -	TITLE SMB STRAIGHT PLUG		
+ -	DATE 8-3-98	DRAWING NUMBER 800-1400-03-83	