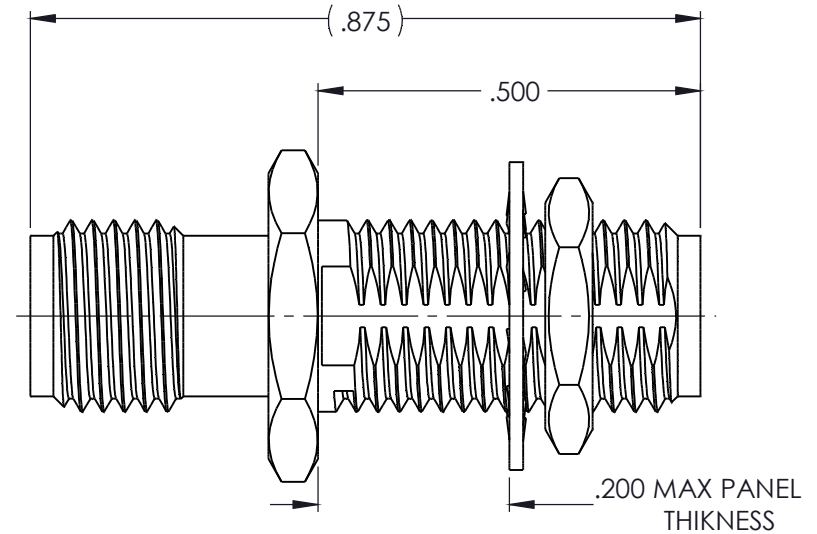
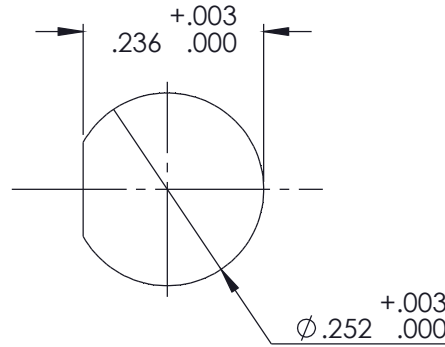


This document, including the design, configuration and mechanical features revealed herein are the sole, confidential and proprietary property of Winchester Interconnect. Reproduction or use thereof, in whole or part, is prohibited without the prior written consent of Winchester Interconnect.

REV	DESCRIPTION	DATE	APPROVED
A	ECO-13557	02/22/21	LA

**NOTES:**

- **MATERIALS:**
  - SST 303, per ASTM A484 and A582.
  - Beryllium Copper per ASTM-B-196.
  - Oxide-Noryl (tm), MIL-P-46129.
- **FINISH:**
  - Center Conductors shall be plated per MIL-DTL-45204 Type II, Class 1 over Nickel plate per AMS-QQ-N-290.
  - Body and Body components shall be passivated per AMS 2700.
- **ELECTRICAL SPECIFICATIONS:**
  - Frequency: DC-40 GHz
  - VSWR: 1.25 TO 40 GHz.
  - Insertion Loss:  $.05\sqrt{\text{Frequency}}$




UNLESS OTHERWISE SPECIFIED:  
DIMENSIONS ARE IN INCHES [MM]

TOLERANCES:  
 .X[X]: ±0.1[3]  
 .XX[X.X]: ±0.01[0.3]  
 .XXX[X.XX]: ±0.005[0.13]  
 ANGLES: ±2.0°

DRAWN	DATE
LMW	04/03
APPR.	DATE
XXX	XX/XX/XX
APPR.	DATE
XXX	XX/XX/XX

 **Winchester Interconnect.** 245 Lynnfield St  
Peabody, MA 01960

TITLE:  
**2.9 MM JACK TO 2.9 MM JACK BLKHD**

THIRD ANGLE PROJECTION	SIZE <b>A</b>	DWG. NO. <b>25-925-2000-90C</b>	REV <b>A</b>
	SH 1 OF 1		

# Mouser Electronics

Authorized Distributor

Click to View Pricing, Inventory, Delivery & Lifecycle Information:

[Winchester Interconnect:](#)

[25-925-2000-90](#)