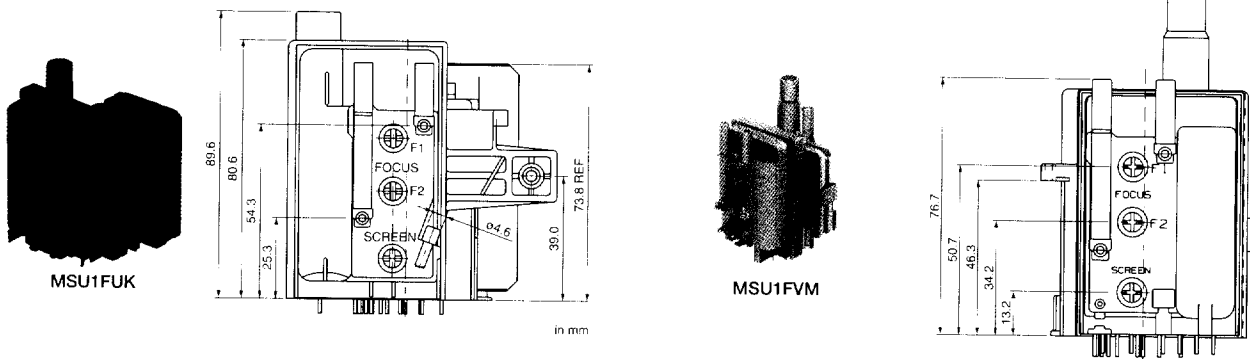


## Flyback Transformers

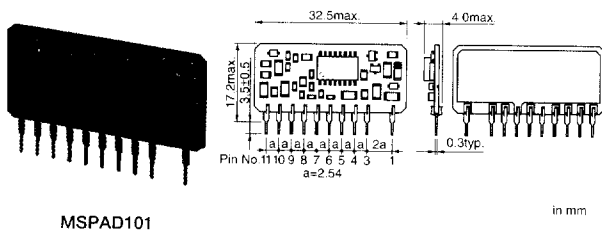
Flyback Transformer



Part Number	Application	CRT Size (Inch)	Horizontal Frequency (kHz)	Focus Pack	HV Capacitor (pF)	HV Bleeder Resistor	Dynamic Focus Capacitor	Features
MSU1AVT	Projection TV	70 max.	15.75	-	-	-	-	Lead Less
MSU1FUK	HDTV, Multimedia TV	32 max.	15.75	Top-Load Double Focus	1500	-	Exist	Lead Less
MSU1FVK	Color TV	21 max.	15.75	Pre-Load	-	-	-	-
MSU1FVR	Color TV	15 max.	15.75	Pre-Load	-	-	-	Isolated Type
MSU1FVT	Color TV	32 max.	15.75	Pre-Load	-	-	-	Lead Less
MSU1FTW	Color Display	15 max.	69 max.	Top-Load	2700	-	Exist	Focus, Screen lead-less
MSU1FVS	Color Display	15 max.	69 max.	Pre-Load	3000	Exist	Exist	Lead Less, for TRINITRON
MSU1FVC	Color Display	17 max.	96 max.	Top-Load Double Focus	Exist	-	Exist	Lead Less
MSU1FVF	Color Display	17 max.	96 max.	Top-Load Double Focus	2700	-	Exist	Focus, Screen Lead Less
MSU1FVM	Color Display	17 max.	96 max.	Top-Load Double Focus	2700	-	Exist	Lead Less
MSU1FVW	Color Display	17 max.	96 max.	Top-Load Double Focus	2700 2pcs	-	Exist	Lead Less
MSU1FTR	Color Display	21 max.	128 max.	Top-Load Double Focus	2700	-	Exist	Focus, Screen Lead Less

## Flyback Transformers

Primary Control System Modules



MSPAD101

Part Number	Application	CRT Size (Inch)	Horizontal Frequency (kHz)	XPROT Accuracy (%)	Features
MSPAD100	Color Display	21 max.	150 max.	+/-2.7	Electrical Controllable HV Value
MSPAD101	HDTV, Projection TV	70 max.	90 max.	+/-2.7	Electrical Controllable HV Value