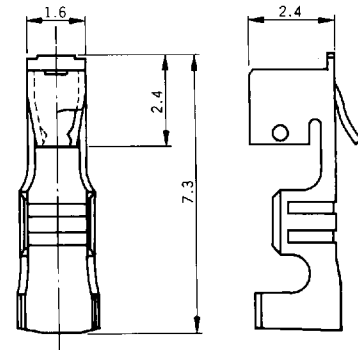


# CRIMP CONNECTOR

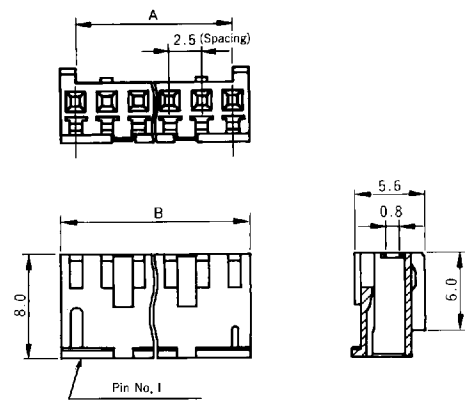
## ● Terminal

Part No.	Applicable Electrical Wire Size(AWG)	Electrical Wire Sheath Dia.(mm)	Material	Plating	No. of Terminal/Reel
W-T0873-11#01	22~30	φ 1.7~0.8	Phosphor Bronze	Tinned (Reflow Treatment)	15000



## ● Housing

No. of Pins	Part No.	A	B
2	W-A3202-2B#01	2.5	5.0
3	W-A3203-2B#01	5.0	7.5
4	W-A3204-2B#01	7.5	10.0
5	W-A3205-2B#01	10.0	12.5
6	W-A3206-2B#01	12.5	15.0
7	W-A3207-2B#01	15.0	17.5
8	W-A3208-2B#01	17.5	20.0
9	W-A3209-2B#01	20.0	22.5
10	W-A3210-2B#01	22.5	25.0
11	W-A3211-2B#01	25.0	27.5
12	W-A3212-2B#01	27.5	30.0
13	W-A3213-2B#01	30.0	32.5
14	W-A3214-2B#01	32.5	35.0
15	W-A3215-2B#01	35.0	37.5



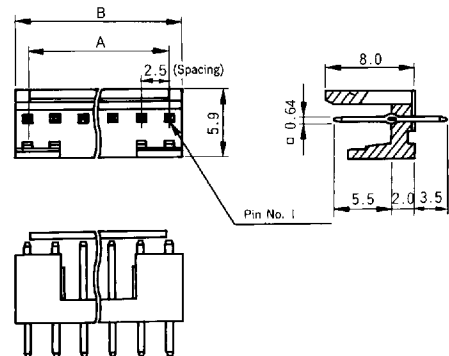
## ■ Material and Plating

- Housing: Polyamide (Beige) 94V-0

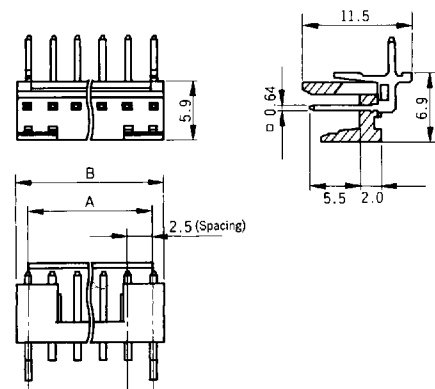
## ● Plug

No. of Pins	Straight Type	Right-Angle Type	A	B
2	CLP2502-0101	W-P9102#51	2.5	4.7
3	CLP2503-0101	W-P9103#51	5.0	7.2
4	CLP2504-0101	W-P9104#51	7.5	9.7
5	CLP2505-0101	W-P9105#51	10.0	12.2
6	CLP2506-0101	W-P9106#51	12.5	14.7
7	CLP2507-0101	W-P9107#51	15.0	17.2
8	CLP2508-0101	W-P9108#51	17.5	19.7
9	CLP2509-0101	W-P9109#51	20.0	22.2
10	CLP2510-0101	W-P9110#51	22.5	24.7
11	CLP2511-0101	W-P9111#51	25.0	27.2
12	CLP2512-0101	W-P9112#51	27.5	29.7
13	CLP2513-0101	W-P9113#51	30.0	32.2
14	CLP2514-0101	W-P9114#51	32.5	34.7
15	CLP2515-0101	W-P9115#51	35.0	37.2

## Straight Type



## Right-Angle Type



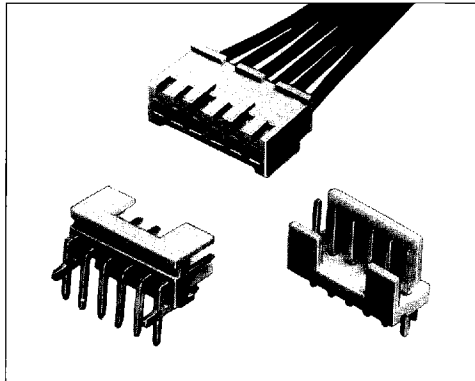
## ■ Material and Plating

- Housing: Polyamide (Beige) 94V-0
- Plug pin: Brass Tine-lead plating

# CRIMP CONNECTOR

## LP Series 2.5mm Spacing

CRIMP CONNECTOR



### Features

1. LP series connectors are crimp type connectors featuring a compact design with pins set at 2.5mm spacing. Socket and plug connections for this model are only 10mm high and 5.9mm thick.
2. Connectors in this series are available in two basic plug-in designs (straight or right-angle) and come in an assortment of fourteen different plug types ranging from 2P to 15P.
3. The terminal for this connector features a tapered "dimple" design which is highly resistant against even minute amounts of friction.
4. A lock mechanism is utilized for the socket and plug housings to ensure firm connection and to prevent improper plug insertion.

### Specifications

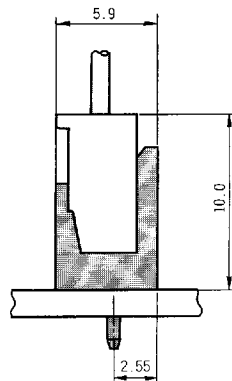
1. Rating: 3A 50V AC/DC
2. Contact Resistance: 20mΩ max.
3. Insulation Resistance: 1000 MΩ min. at 500V DC
4. Breakdown Voltage: 1000V AC for One minute
5. Operating Temperature: -25°C to +85°C
6. Applicable Wire Size: AWG22 to 30 (Sheath dia.  $\phi$ 0.8 to 1.7mm)
7. Applicable PC Board Thickness: 1.6mm

### NOTE

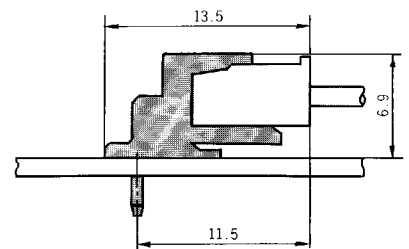
Contact the company directly if additional specifications are desired.

### Connection Diagram

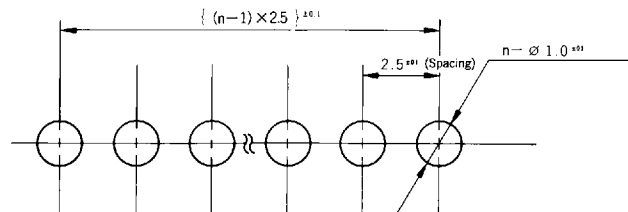
#### Straight Type



#### Right-Angle Type



### Diagram for PC Board Mount Holes



### Structural Configuration Diagram

