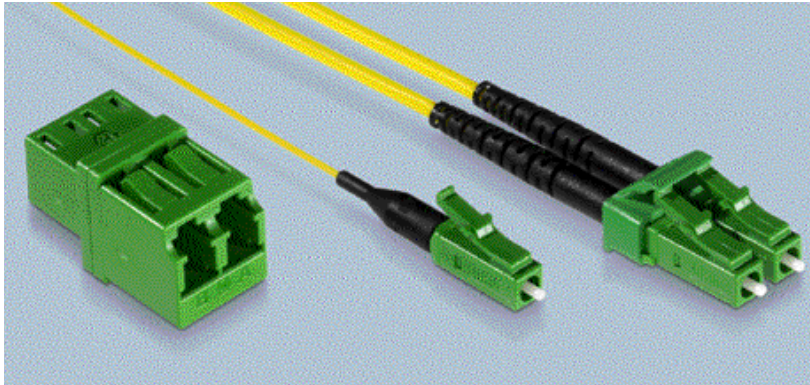




FIBER OPTIC FLC CONNECTOR

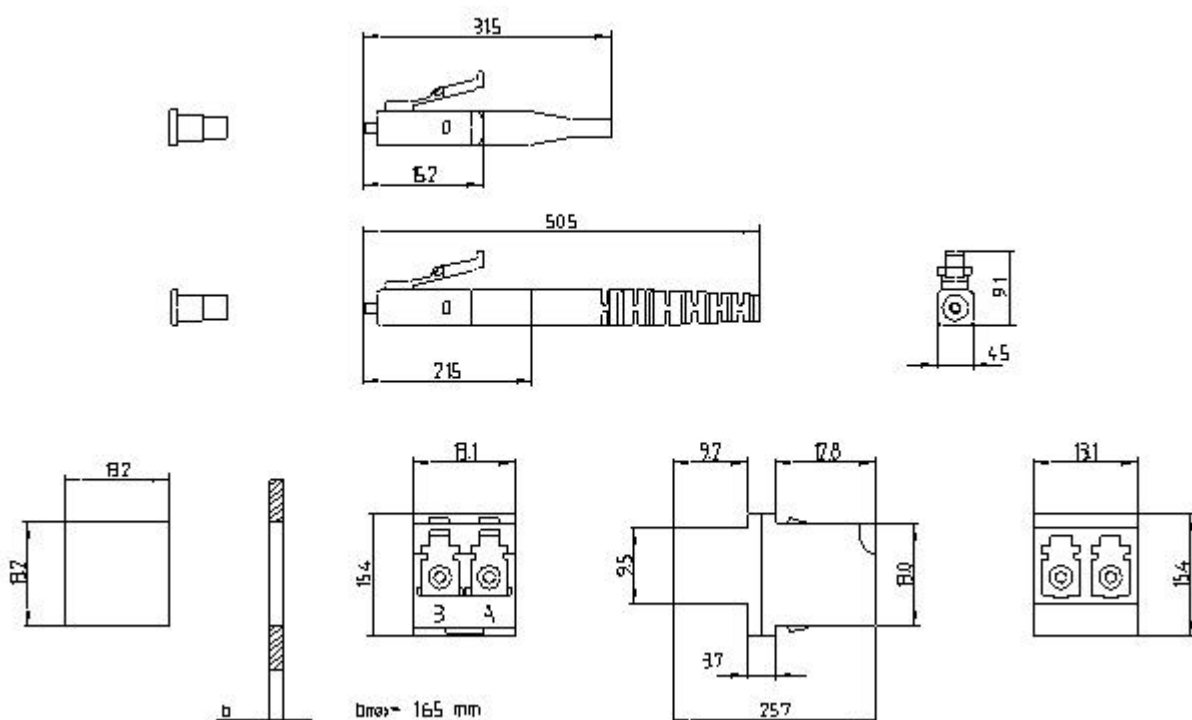


Features

- Latched push-pull connector
- Small Form Factor connector for high packing density. 2 connections in SC shape adapter
- One-piece design for easy and quick termination
- Short rigid length of pigtail-connector
- Color coding of connector
- Easy duplexing of simplex connectors

Specifications

Compliance	IEC 61754-20, TIA 604-10-A
Technology	Full ceramic ferrule and sleeve
Tuning	in 45° steps
Mechanical resistance	100 N tensile load
Thermal resistance	-40 °C to +85 °C, stock temperature range
Flammability	UL 94-V0
Durability	Min. 1000 mating cycles
Color of housing	Singlemode PC blue Singlemode APC green Multimode beige





FLC

Ordering information: FLC Connectors

Connector type	Polishing	Insertion loss ¹⁾ [dB] (mean/97%)	Cable Ø	Type
SM	PC/UPC	0.12/0.25	≤ 1.0 mm	FLC-Z/K-A005
SM	PC/UPC	0.12/0.25	≤ 2.4 mm	FLC-Z/K-A006
SM	APC	0.12/0.25	≤ 1.0 mm	FLC-Z/K-A600
SM	APC	0.12/0.25	≤ 2.4 mm	FLC-Z/K-A601
SM Premium	PC/UPC	0.06/0.15	≤ 1.0 mm	FLC-Z/K-H001
SM Premium	PC/UPC	0.06/0.15	≤ 2.4 mm	FLC-Z/K-H002
SM Premium	APC	0.06/0.15	≤ 1.0 mm	FLC-Z/K-H600
SM Premium	APC	0.06/0.15	≤ 2.4 mm	FLC-Z/K-H601
G50/125, G62.5/125	PC	0.2 / 0.5	≤ 1.0 mm	FLC-Z/K-B004
G50/125, G62.5/125	PC	0.2 / 0.5	≤ 2.4 mm	FLC-Z/K-B005

¹⁾ IEC 61300-3-34 method 2

Ordering information: FLC Adapters

Adapter type	Mounting	Sleeve out of	Color	Type
SM Duplex	integrated fixing springs	zirconia ceramic	blue	FLC-FLC-A100-02
SM APC Duplex	integrated fixing springs	zirconia ceramic	green	FLC-FLC-A600-02
MM Duplex	integrated fixing springs	phosphor-bronze	beige	FLC-FLC-A200-02
SM SC footprint	integrated fixing springs	zirconia ceramic	blue	FLC-FLC-A101-02
SM APC SC footprint	integrated fixing springs	zirconia ceramic	green	FLC-FLC-A601-02
MM SC footprint	integrated fixing springs	phosphor-bronze	beige	FLC-FLC-A201-02
SM Simplex	integrated fixing springs	zirconia ceramic	blue	FLC-FLC-A100
SM APC Simplex	integrated fixing springs	zirconia ceramic	green	FLC-FLC-A600
MM Simplex	integrated fixing springs	phosphor-bronze	beige	FLC-FLC-A200

Ordering information: Accessories

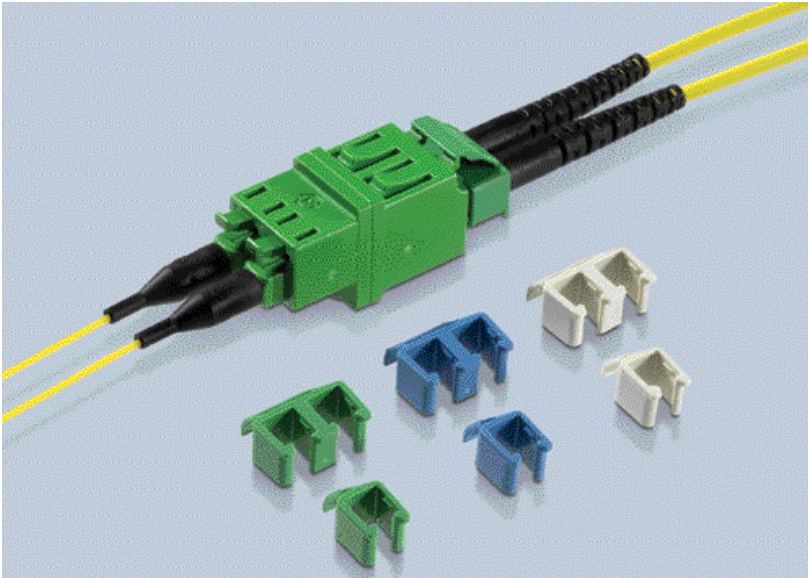
Description	Color	Type
Duplex clip	blue	FLC-DUP-BL1
Duplex clip	green	FLC-DUP-GN1
Duplex clip	beige	FLC-DUP-BG1
Angled boot	see data sheet	



FLC

Color coding system

The color coding system helps to distinguish channels for secure handling. Simplex clips, which are used to mark connectors, can easily be mounted in the field and even after connectors have been terminated.

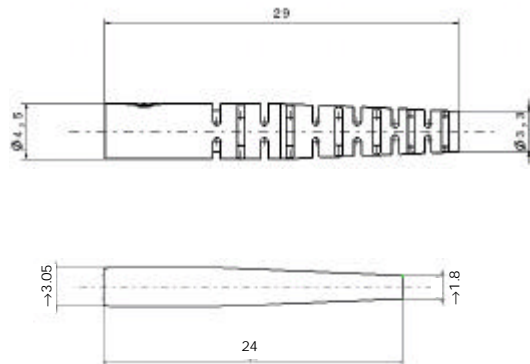


Ordering information: Accessories

Description	Color	Type
Simplex clip	black	FLC-CLP-BK1
Simplex clip	blue	FLC-CLP-BL1
Simplex clip	brown	FLC-CLP-BN1
Simplex clip	green	FLC-CLP-GN1
Simplex clip	grey	FLC-CLP-GR1
Simplex clip	orange	FLC-CLP-OR1
Simplex clip	pink	FLC-CLP-PK1
Simplex clip	purple	FLC-CLP-PU1
Simplex clip	red	FLC-CLP-RD1
Simplex clip	turquoise	FLC-CLP-TU1
Simplex clip	white	FLC-CLP-WT1
Simplex clip	yellow	FLC-CLP-YE1



HUBER+SUHNER CRIMPSETS



Crimpsets for FLX5 and FLC connectors

Type	Sleeve	Boot				
Max. cable Ø		black	green	red	yellow	blue
<1.0 mm FLC	-	23026770	23026771	84005618	84005617	84005616
<1.0 mm FLX5	-	23034533	23034534	84005615	84005614	84005613
1.6 – 1.8 mm	23026713	23026769	84005356	84005357	84005358	84005359
1.9 – 2.2 mm	23028203	23026769	84005356	84005357	84005358	84005359
2.3 – 2.5 mm	23028204	23026769	84005356	84005357	84005358	84005359

HUBER+SUHNER is certified according to ISO 9001 and ISO 14001.

Waiver

While the information contained in this folder has been carefully compiled to the best of our present knowledge, it is not intended as representation or warranty of any kind on our part regarding the suitability of the products concerned for any particular use or purpose and neither shall any statement contained herein be construed as a recommendation to infringe any industrial property rights or as a license to use any such rights. The suitability of each product for any particular purpose must be checked beforehand with our specialists.



HUBER+SUHNER AG
 Fiber Optics Division
 9100 Herisau, Switzerland
 Phone +41 (0)71 353 41 11
 Fax +41 (0)71 353 46 47
www.hubersuhner.com