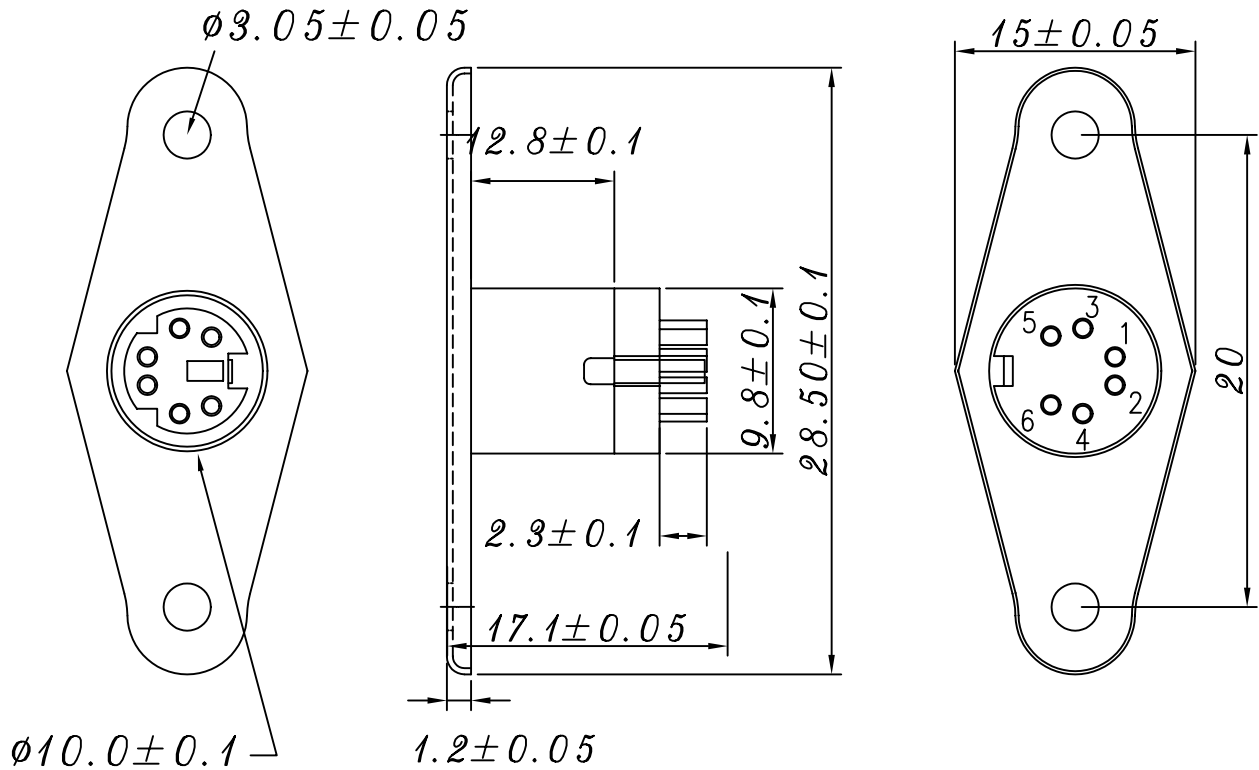


MATERIALS:

HOUSING: FIBER+NULON
 METAL SHELL: BRASS/NICKEL PLATED
 CONTACTS: PHOSPHOR BRANZE SILVER PLATED

SPECIFICATIONS:

1. RATION: 100V AC 1A MAX or 12V DC 2A MAX.
2. INSULATION RESISTANCE: 50M OHM MIN at 250V DC.
3. DIELECTRIC STRENGTH: 250 V AC / 1 MINUTE.
4. CONTACT RESISTANCE: 30M OHM MAX.
5. INSERTION FORCE: 4.5KG MAX.
6. WITHDRAWAL FORCE: 0.9KG ~ 3KG.



MORETHANALL
 CONNECTORS
 ASSEMBLIES

焯倫有限公司

PART NO. MDS-SPM-xx	
DWG NO. MDS-SPM-xx	
FILE NO.	
UNIT / mm	SCALE 1:1

APPROVED BY CY	DRAWING BY
DRAWING BY	
PROJECTION	

TOLERANCES ARE
.X ±0.05
.XX
.XXX
AWG

DESCRIP TION:	MINI DIN SOCKET METAL PANEL MT			
	AREA	REVISIONS	HK	DATE