

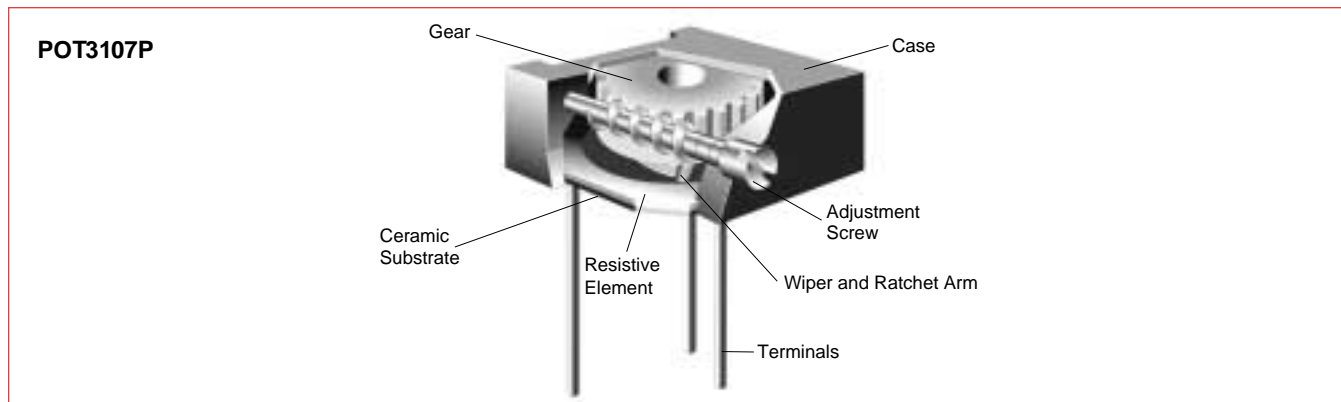
FEATURES

- 12-turn cermet; square with 6.4(W) x 6.7(L) x 4.0(T)mm package
- Compatible with ultrasonic cleaning
- Clutch mechanism prevents excessive wiper rotation.
- Taping available

APPLICATIONS

Measuring instruments, facsimile machines, CPUs, PPCs, printers and sensors

CONSTRUCTION



SPECIFICATIONS

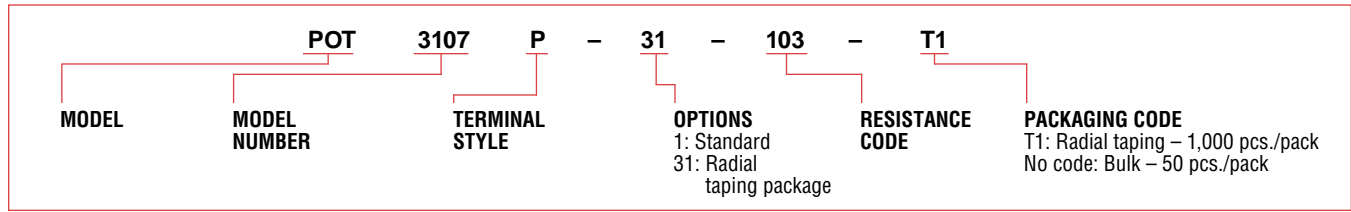
Item	
Standard Resistance Range	10Ω to 1MΩ
Nominal Resistance Tolerance	±10%
Power Rating	85°C – 0.25W, 125°C – 0W
Maximum Working Voltage	200V
Maximum Wiper Current	100mA max.
Operating Temperature Range	–55°C to +125°C
Effective Number of Turns	12 ± 2 turns
Residual Resistance	2Ω max.
Contact Resistance Variation	3% or 3Ω max., whichever is greater
Dielectric Strength	600VAC
Insulation Resistance	100MΩ min. (500VDC)
Torque	21.2mNm (216gf • cm) max.

ENVIRONMENTAL SPECIFICATIONS

Item	
Temperature Coefficient of Resistance	±100ppm/°C
Temperature Cycle	Δ TR ±1%, Δ V.S.S. ±1%
Humidity Exposure	Δ TR ±2%, IR 100MΩ min.
Vibration (20G)	Δ TR ±1%, Δ V.S.S. ±1%
Shock (100G)	Δ TR ±1%, Δ V.S.S. ±1%
Load Life	Δ TR ±2%, Δ V.S.S. ±2%
Low Temperature Exposure	Δ TR ±1%, Δ V.S.S. ±1%
High Temperature Exposure	Δ TR ±2%, Δ V.S.S. ±1%
Rotational Life (200 cycles)	No intermittence on resistance change

Δ TR: Total Resistance Change • Δ V.S.S.: Voltage Setting Stability • IR: Insulation Resistance

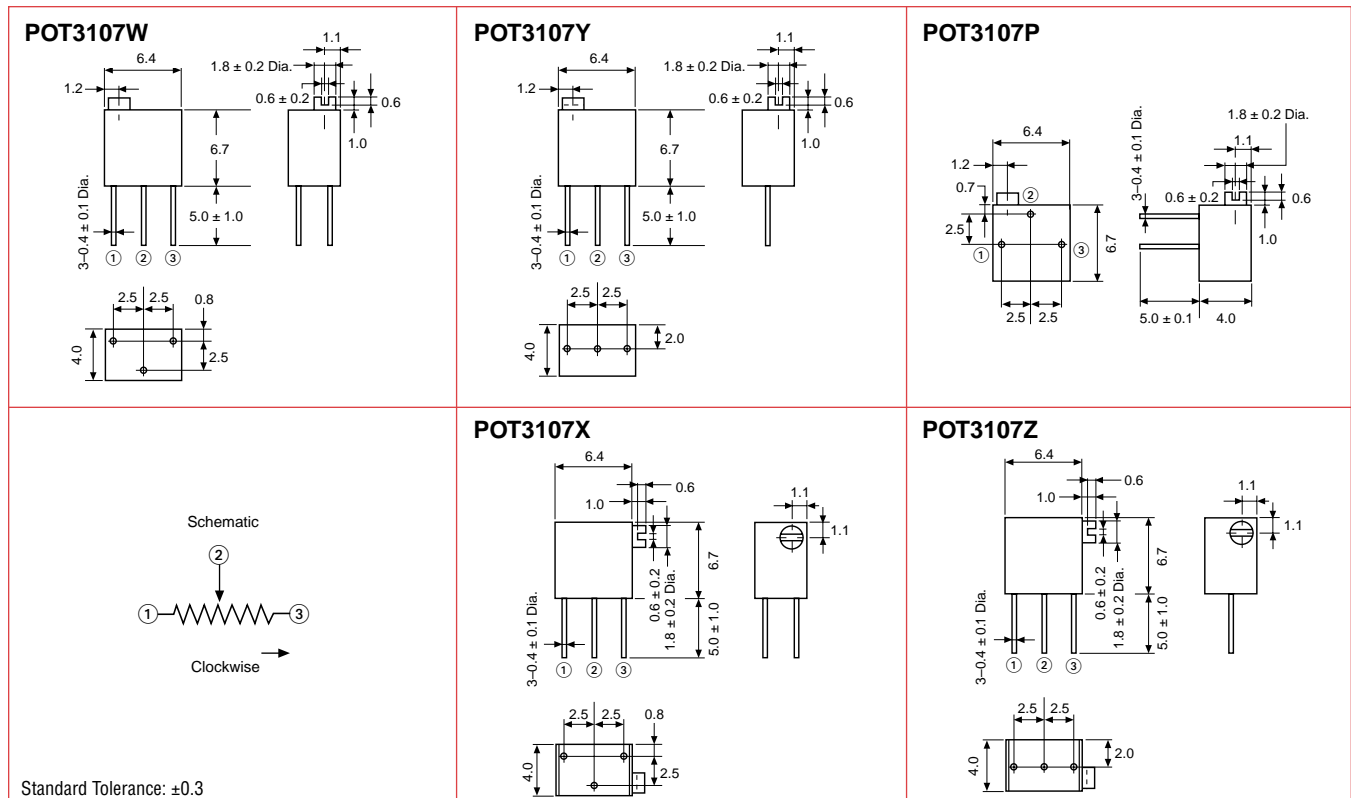
PART NUMBERING SYSTEM



PART NUMBER TABLE

Standard Total Resistance Values	Model Number				
	Top Adjustment (W)	Top Adjustment (Y)	Side Adjustment (P)	Side Adjustment (X)	Side Adjustment (Z)
10Ω	POT3107W-1-100	POT3107Y-1-100	POT3107P-1-100	POT3107X-1-100	POT3107Z-1-100
20Ω	POT3107W-1-200	POT3107Y-1-200	POT3107P-1-200	POT3107X-1-200	POT3107Z-1-200
50Ω	POT3107W-1-500	POT3107Y-1-500	POT3107P-1-500	POT3107X-1-500	POT3107Z-1-500
100Ω	POT3107W-1-101	POT3107Y-1-101	POT3107P-1-101	POT3107X-1-101	POT3107Z-1-101
200Ω	POT3107W-1-201	POT3107Y-1-201	POT3107P-1-201	POT3107X-1-201	POT3107Z-1-201
500Ω	POT3107W-1-501	POT3107Y-1-501	POT3107P-1-501	POT3107X-1-501	POT3107Z-1-501
1kΩ	POT3107W-1-102	POT3107Y-1-102	POT3107P-1-102	POT3107X-1-102	POT3107Z-1-102
2kΩ	POT3107W-1-202	POT3107Y-1-202	POT3107P-1-202	POT3107X-1-202	POT3107Z-1-202
5kΩ	POT3107W-1-502	POT3107Y-1-502	POT3107P-1-502	POT3107X-1-502	POT3107Z-1-502
10kΩ	POT3107W-1-103	POT3107Y-1-103	POT3107P-1-103	POT3107X-1-103	POT3107Z-1-103
20kΩ	POT3107W-1-203	POT3107Y-1-203	POT3107P-1-203	POT3107X-1-203	POT3107Z-1-203
25kΩ	POT3107W-1-253	POT3107Y-1-253	POT3107P-1-253	POT3107X-1-253	POT3107Z-1-253
50kΩ	POT3107W-1-503	POT3107Y-1-503	POT3107P-1-503	POT3107X-1-503	POT3107Z-1-503
100kΩ	POT3107W-1-104	POT3107Y-1-104	POT3107P-1-104	POT3107X-1-104	POT3107Z-1-104
200kΩ	POT3107W-1-204	POT3107Y-1-204	POT3107P-1-204	POT3107X-1-204	POT3107Z-1-204
250kΩ	POT3107W-1-254	POT3107Y-1-254	POT3107P-1-254	POT3107X-1-254	POT3107Z-1-254
500kΩ	POT3107W-1-504	POT3107Y-1-504	POT3107P-1-504	POT3107X-1-504	POT3107Z-1-504
1MΩ	POT3107W-1-105	POT3107Y-1-105	POT3107P-1-105	POT3107X-1-105	POT3107Z-1-105

DIMENSIONS: mm



*POT3107 Series available as standard through authorized Murata Electronics Distribution.