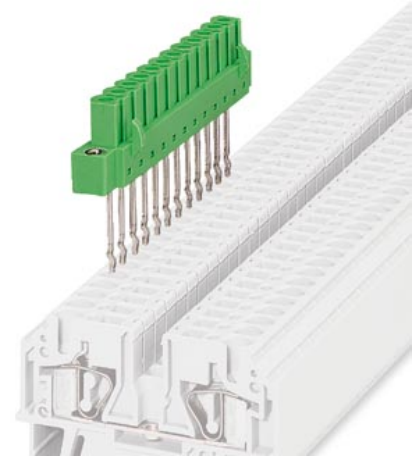


A-ICV 2,5/ 6-GF-5,08

Order No.: 1872842

The illustration shows a 12-position version

<http://eshop.phoenixcontact.de/phoenix/treeViewClick.do?UID=1872842>

Header for PCB plug connector, Nominal current: 12 A, Nominal voltage: 250 V, Mounting type: DIN rail mounting, Number of positions: 6, Pitch: 5.08 mm, Color: green

Commercial data

| | |
|--------------------------|--------------------|
| EAN | 4017918142339 |
| Pack | 50 pcs. |
| Customs tariff | 85369010 |
| Weight/Piece | 0.0055 KG |
| Catalog page information | Page 225 (CC-2002) |

Product notes

WEEE/RoHS-compliant since:
01/01/2003



<http://www.download.phoenixcontact.com>
Please note that the data given here has been taken from the online catalog. For comprehensive information and data, please refer to the user documentation. The General Terms and Conditions of Use apply to Internet downloads.

Technical data

General

| | |
|-------|-------|
| Color | green |
|-------|-------|

| | |
|------------------------------------|----|
| Insulating material | PA |
| Inflammability class acc. to UL 94 | V0 |

Accessories

| Item | Designation | Description |
|------|-------------|-------------|
|------|-------------|-------------|

Marking

| | | |
|---------|--------------------------|---|
| 0804293 | SK 5,08/3,8:FORTL.ZAHLEN | Marker card, printed horizontally, self-adhesive, 12 identical decades marked 1-10, 11-20 etc. up to 91-(99)100, sufficient for 120 terminal blocks |
|---------|--------------------------|---|

Plug/Adapter

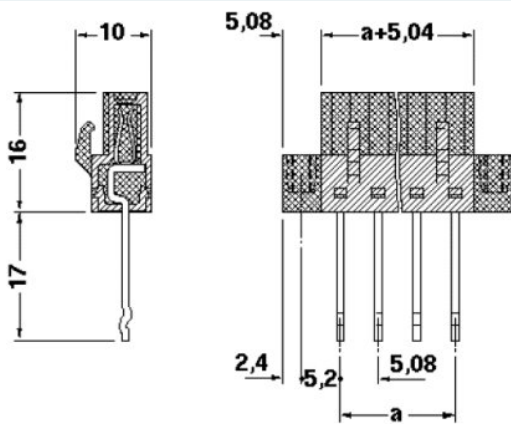
| | | |
|---------|---------|---|
| 1734634 | CP-MSTB | Keying profile, is inserted into the slot on the plug or inverted header, red insulating material |
|---------|---------|---|

Tools

| | | |
|---------|-------------|---|
| 3024287 | ZFK-BW 2-5 | Actuation tool, for loosening the tension spring, 2-pos. |
| 3024290 | ZFK-BW 3-5 | Actuation tool, for loosening the tension spring, 3-pos. |
| 3024300 | ZFK-BW 10-5 | Actuation tool, for loosening the tension spring, 10-pos. |

Drawings

Dimensioned drawing



Address

PHOENIX CONTACT GmbH & Co. KG
Flachsmarktstr. 8
32825 Blomberg, Germany
Phone +49 5235 3 00
Fax +49 5235 3 41200
<http://www.phoenixcontact.com>



© 2009 Phoenix Contact
Technical modifications reserved;