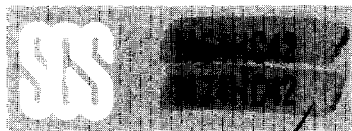


HS-C²MOS™ INTEGRATED CIRCUITS

041937



PRELIMINARY DATA

BCD-TO-DECIMAL DECODER

DESCRIPTION

The M54/74HC42 is a high speed CMOS BCD-TO-DECIMAL DECODER fabricated in silicon gate C²MOS technology.

It has the same high speed performance of LSTTL combined with true CMOS low power consumption. A BCD code applied to the four inputs (A-D) provides a low level at the select one of ten decimal decoded outputs. An illegal BCD code such as eleven thru fifteen gives a high level at all outputs. This device also can be used as a 3-to-8 LINE DECODER, when the D input is assigned as a disable input.

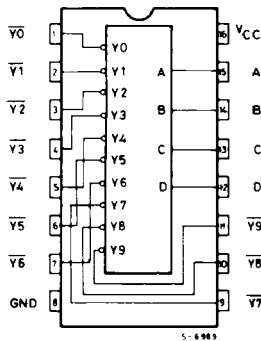
This device is useful for code conversion, address decoding, memory selection, demultiplexing, or readout decoding.

All inputs are equipped with protection circuit against static discharge or transient excess voltage.

B1 Plastic Package **F1** Ceramic Package **C1** Chip Carrier

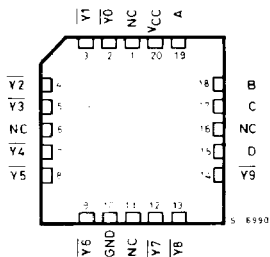
ORDERING NUMBERS: M54HC42 F1
M74HC42 B1
M74HC42 F1
M74HC42 C1

PIN CONNECTIONS (top view)



Dual in line

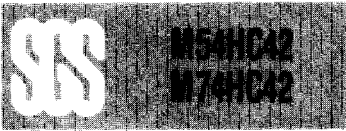
CHIP CARRIER



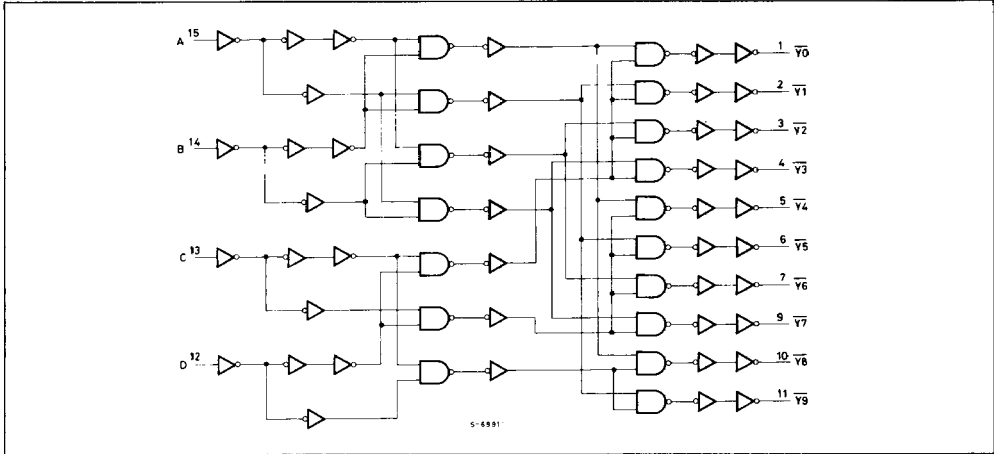
NC = No Internal Connection

FEATURES

- High Speed
 $t_{PD} = 17 \text{ ns (Typ.) at } V_{CC} = 5 \text{ V}$
- Low Power Dissipation
 $I_{CC} = 4 \mu\text{A (Max.) at } T_A = 25^\circ\text{C}$
- High Noise Immunity
 $V_{NIH} = V_{NIL} = 28\% V_{CC} \text{ (Min.)}$
- Output Drive Capability
10 LSTTL Loads
- Symmetrical Output Impedance
 $|I_{OH}| = I_{OL} = 4 \text{ mA (Min.)}$
- Balanced Propagation Delays
 $t_{PLH} = t_{PHL}$
- Wide Operating Voltage Range
 $V_{CC} \text{ (opr)} = 2 \text{ V to } 6 \text{ V}$
- Pin and Function compatible
with 54/74LS42



LOGIC DIAGRAM



ABSOLUTE MAXIMUM RATINGS

Symbol	Parameter	Value	Unit
V_{CC}	Supply Voltage	- 0.5 to 7	V
V_I	DC Input Voltage	- 0.5 to $V_{CC} + 0.5$	V
V_O	DC Output Voltage	- 0.5 to $V_{CC} + 0.5$	V
I_{IK}	DC Input Diode Current	± 20	mA
I_{OK}	DC Output Diode Current	± 20	mA
I_O	DC Output Source Sink Current Per Output Pin	± 25	mA
I_{CC} or I_{GND}	DC V_{CC} or Ground Current	± 50	mA
P_D	Power Dissipation	500 (*)	mW
T_{stg}	Storage Temperature	- 65 to 150	$^{\circ}C$

Absolute Maximum Ratings are those values beyond which damage to the device may occur. Functional operation under these condition is not implied.

(*) 500 mW: $\cong 65^{\circ}C$ derate to 300 mW by 10 mW/ $^{\circ}C$: $65^{\circ}C$ to $85^{\circ}C$.

RECOMMENDED OPERATING CONDITIONS

Symbol	Parameter	Limit	Unit
V_{CC}	Supply Voltage	2 to 6	V
V_I	Input Voltage	0 to V_{CC}	V
V_O	Output Voltage	0 to V_{CC}	V
T_A	Operating Temperature 74HC Series 54HC Series	- 40 to 85 - 55 to 125	$^{\circ}C$
t_r, t_f	Input Rise and Fall Time	$V_{CC} \begin{cases} 2 \text{ V} & 0 \text{ to } 1000 \\ 4.5 \text{ V} & 0 \text{ to } 500 \\ 6 \text{ V} & 0 \text{ to } 400 \end{cases}$	ns



TRUTH TABLE

CODE No.	BCD INPUTS				DECIMAL OUTPUTS									
	D	C	B	A	\bar{Y}	$\bar{Y}1$	$\bar{Y}2$	$\bar{Y}3$	$\bar{Y}4$	$\bar{Y}5$	$\bar{Y}6$	$\bar{Y}7$	$\bar{Y}8$	$\bar{Y}9$
0	L	L	L	L	L	H	H	H	H	H	H	H	H	H
1	L	L	L	H	H	L	H	H	H	H	H	H	H	H
2	L	L	H	L	H	H	H	L	H	H	H	H	H	H
3	L	L	H	H	H	H	H	L	H	H	H	H	H	H
4	L	H	L	L	H	H	H	H	L	H	H	H	H	H
5	L	H	L	H	H	H	H	H	H	L	H	H	H	H
6	L	H	H	L	H	H	H	H	H	H	L	H	H	H
7	L	H	H	H	H	H	H	H	H	H	H	L	H	H
8	H	L	L	L	H	H	H	H	H	H	H	H	L	H
9	H	L	L	H	H	H	H	H	H	H	H	H	H	L
10	H	L	H	L	H	H	H	H	H	H	H	H	H	H
11	H	L	H	H	H	H	H	H	H	H	H	H	H	H
12	H	H	L	L	H	H	H	H	H	H	H	H	H	H
13	H	H	L	H	H	H	H	H	H	H	H	H	H	H
14	H	H	H	L	H	H	H	H	H	H	H	H	H	H
15	H	H	H	H	H	H	H	H	H	H	H	H	H	H

DC SPECIFICATIONS

Symbol	Parameter	V_{CC}	Test Condition	$T_A = 25^\circ C$ 54HC and 74HC			-40 to 85°C 74HC		-55 to 125°C 54HC		Unit	
				Min.	Typ.	Max.	Min.	Max.	Min.	Max.		
V_{IH}	High Level Input Voltage	2.0 4.5 6.0		1.5 3.15 4.2	— — —	— — —	1.5 3.15 4.2	— — —	1.5 3.15 4.2	— — —	V	
V_{IL}	Low Level Input Voltage	2.0 4.5 6.0		— — —	— — —	0.5 1.35 1.8	— — —	0.5 1.35 1.8	— — —	0.5 1.35 1.8	V	
V_{OH}	High Level Output Voltage	2.0 4.5 6.0 4.5 6.0	V_I	I_O	1.9	2.0	—	1.9	—	1.9	—	V
			V_{IH} or V_{IL}	-20 μA	4.4 5.9	4.5 6.0	— —	4.4 5.9	— —	4.4 5.9	— —	
				-4.0 mA -5.2 mA	4.18 5.68	4.31 5.8	— —	4.13 5.63	— —	4.10 5.60	— —	
V_{OL}	Low Level Output Voltage	2.0 4.5 6.0 4.5 6.0	V_{IH} or V_{IL}	20 μA	— — —	0 0 0	0.1 0.1 0.1	— — —	0.1 0.1 0.1	— — —	0.1 0.1 0.1	V
				4.0 mA 5.2 mA	— —	0.17 0.18	0.26 0.26	— —	0.33 0.33	— —	0.40 0.40	
I_I	Input Leakage Current	6.0	$V_I = V_{CC}$ or GND	—	—	± 0.1	—	± 1		± 1	μA	
I_{CC}	Quiescent Supply Current	6.0	$V_I = V_{CC}$ or GND	—	—	4	—	40		80	μA	



M54HC42
M74HC42

AC ELECTRICAL CHARACTERISTICS ($V_{CC} = 5V$, $T_A = 25^\circ C$, $C_L = 15pF$, Input $t_r = t_f = 6ns$)

Symbol	Parameter	54HC and 74HC			Unit
		MIN.	TYP.	MAX.	
t_{TLH} t_{THL}	Output Transition Time		4	8	ns
t_{PLH} t_{PHL}	Propagation Delay Time		15	24	ns

AC ELECTRICAL CHARACTERISTICS ($C_L = 50pF$, Input $t_r = t_f = 6ns$)

Symbol	Parameter	V_{CC}	Test Condition	$T_A = 25^\circ C$ 54HC and 74HC			-40 to $85^\circ C$ 74HC		-55 to $125^\circ C$ 54HC		Unit
				Min.	Typ.	Max.	Min.	Max.	Min.	Max.	
t_{TLH} t_{THL}	Output Transition Time	2.0 4.5 6.0		— — —	22 8 7	75 15 13	— — —	90 18 16			ns
t_{PLH} t_{PHL}	Propagation Delay Time	2.0 4.5 6.0		— — —	80 18 16	145 29 25	— — —	175 35 30			ns
C_{IN}	Input Capacitance			—	5	10	—	10			pF
$C_{PD} (*)$	Power Dissipation Capacitance			—	67	—	—	—			pF

Note (*) C_{PD} is defined as the value of the IC's internal equivalent capacitance which is calculated from the operating current consumption without load.

Average operating current can be obtained by the following equation.

$$I_{CC(opr.)} = C_{PD} \cdot V_{CC} \cdot f_{IN} + I_{CC}$$