

STLZ950/..G-5.08-H-GREEN



Technical Data

Wire Sizes	Insulating Material
Solid min -	Material PA 6.6
solid max -	Flammability Class UL 94 V-0
Stranded (flexible) -	Temperatures
min -	Operating Temperature -30 °C - 105 °C
Stranded (flexible) -	Wave Soldering Process
max -	Soldering Temperature, recommended 265 °C
Stranded with Ferrule -	Peak Soldering Time, recommended 3-4 s
min -	Reflow Process
Stranded with Ferrule -	Soldering Temperature, recommended -
max -	Peak Soldering Time, recommended -
Dimensions	
Stripped Length	
PCB Hole Diameter 1.4 mm	
Materials	
Contact Pin Copper Alloy	

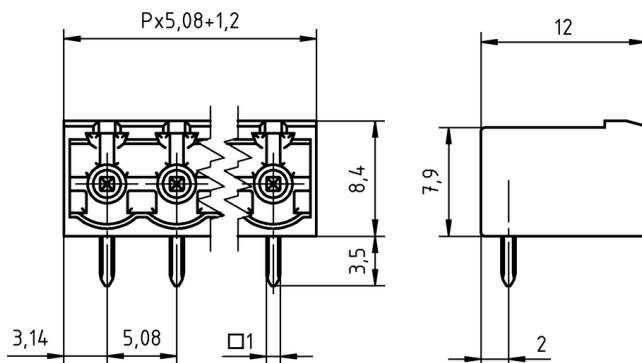
Colours

GREEN	RAL6018	
BLACK	RAL9011	
BASALT GREY	RAL7012	
PEBBLE GREY	RAL7032	
LIGHT GREY	RAL7035	
LIGHT GREEN	similar RAL 6018	

Colours according to RAL, there may be variations on colour due to production conditions. Special colours on request.

Counterparts (Spacing 5.08 mm)

Pin Strip/Terminal Blocks
AKZ950 STLZ950-INV AKZ4951 AKZ1200 AKZ1100



Order Data (Spacing mm)

Poles	Width (mm)	Article Designation	Article Number	PU
2	11.36	STLZ950/2G-5.08-H-GREEN	50950025021F	200
3	16.44	STLZ950/3G-5.08-H-GREEN	50950035021F	200
4	21.52	STLZ950/4G-5.08-H-GREEN	50950045021F	200
5	26.60	STLZ950/5G-5.08-H-GREEN	50950055021E	100
6	31.68	STLZ950/6G-5.08-H-GREEN	50950065021E	100
7	36.76	STLZ950/7G-5.08-H-GREEN	50950075021E	100
8	41.84	STLZ950/8G-5.08-H-GREEN	50950085021D	50
9	46.92	STLZ950/9G-5.08-H-GREEN	50950095021D	50
10	52.00	STLZ950/10G-5.08-H-GREEN	50950105021D	50
11	57.08	STLZ950/11G-5.08-H-GREEN	50950115021D	50
12	62.16	STLZ950/12G-5.08-H-GREEN	50950125021D	50
13	67.24	STLZ950/13G-5.08-H-GREEN	50950135021D	50
14	72.32	STLZ950/14G-5.08-H-GREEN	50950145021D	50
15	77.40	STLZ950/15G-5.08-H-GREEN	50950155021D	50
16	82.48	STLZ950/16G-5.08-H-GREEN	50950165021D	50
17	87.56	STLZ950/17G-5.08-H-GREEN	50950175021D	50
18	92.64	STLZ950/18G-5.08-H-GREEN	50950185021D	50
19	97.72	STLZ950/19G-5.08-H-GREEN	50950195021D	50
20	102.80	STLZ950/20G-5.08-H-GREEN	50950205021D	50
21	107.88	STLZ950/21G-5.08-H-GREEN	50950215021D	50
22	112.96	STLZ950/22G-5.08-H-GREEN	50950225021D	50
23	118.04	STLZ950/23G-5.08-H-GREEN	50950235021D	50
24	123.12	STLZ950/24G-5.08-H-GREEN	50950245021D	50

Accessories

Figure	Designation	Article Number
	Coding star CS2-5.0/5.08-RED	50000000024
	Dividing element SE-STL950-GREEN	50950000002

Ratings



Usegroup	B	C	D	
Rated Voltage	300 V	150 V	300 V	250 V
Rated Current	15 A	15 A	10 A	12 A
Overtoltage Category				III
Test Voltage	1.6 kV	1.6 kV	1.6 kV	4.0 kV
Pollution Degree				3